

# ROVECONCEPTS

## VALERIAN DESK ASSEMBLY INSTRUCTIONS

### HARDWARE



**A**

x1  
K5



**B**

x16  
M8\*15



**C**

x16  
2\*8 \*18



**D**

x6  
Metal Plate



**E**

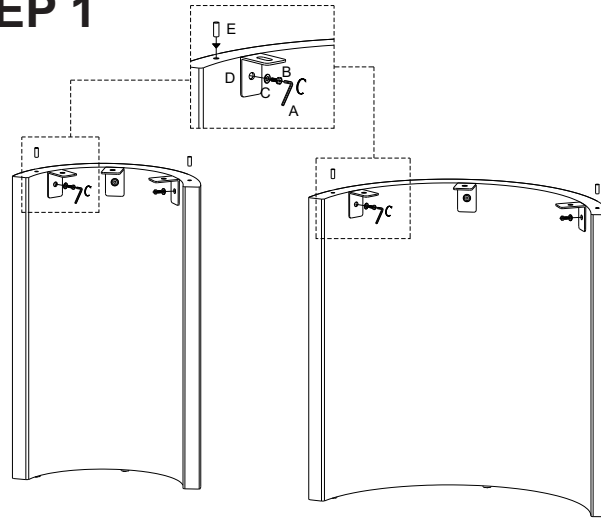
x4  
10\*30



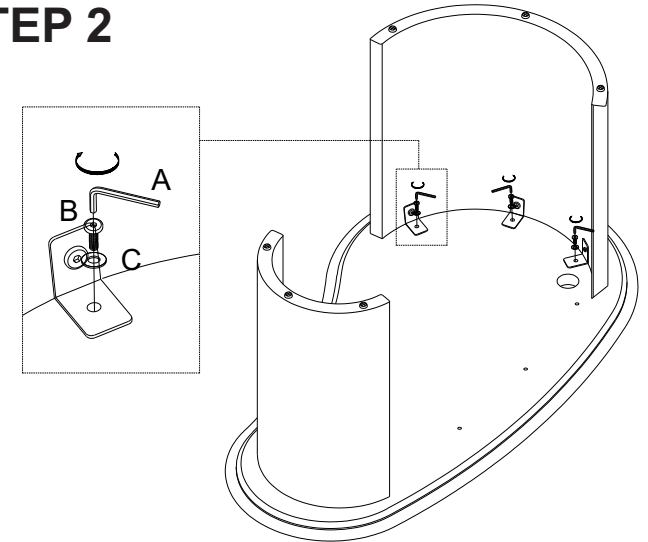
**F**

x1  
50\*85\*1100

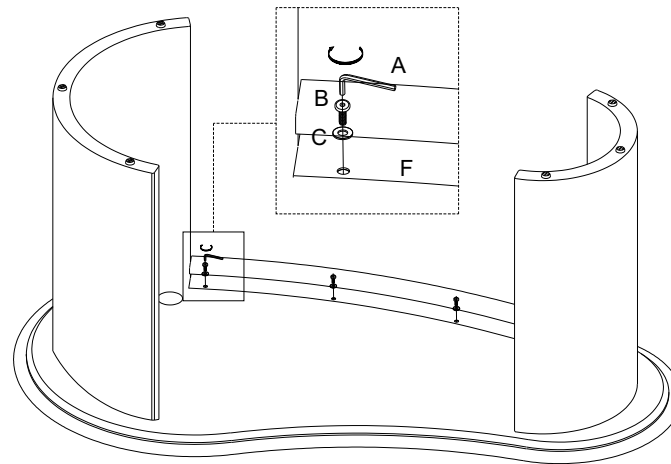
### STEP 1



### STEP 2



### STEP 3



### STEP 4

