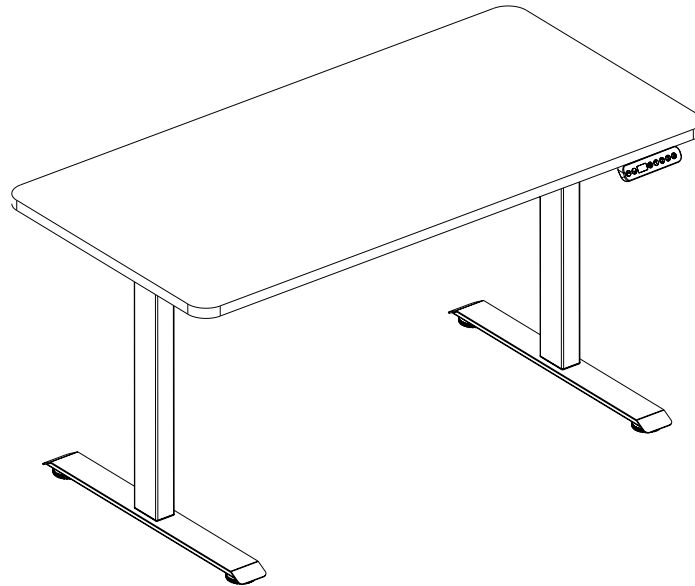


ROVECONCEPTS

Refined Luxury Living



ERYK/ATHENA E-STANDING DESK ASSEMBLY INSTRUCTIONS



CAUTION

MAKE SURE NO OBSTACLES ARE IN THE DESK'S PATH AND ALL CORDS ARE OF APPROPRIATE LENGTH FOR DESK TRAVEL. FAILURE TO COMPLY WITH OR OBSERVE ALL ASSEMBLY, SAFETY, AND OPERATION INSTRUCTIONS AND WARNINGS REGARDING THE USE OF THIS PRODUCT MAY RESULT IN SERIOUS PROPERTY DAMAGE OR BODILY INJURY.

IMPORTANT Any user or installer of desk base must study this manual carefully. If this desk is sold, please provide the manual to the buyer.

CAUTION

SAFETY AND WARNINGS

- Inappropriate use of this product may cause property or bodily injury. Make sure that children, pets, etc. stay away from the product when the desk is in operation.
- Check the surroundings on all sides before using the desk. Make sure the desk does not touch the wall.
- Please unplug the power supply during lightning and when the product is not in use for a long time.
- Make sure NO obstacles are in the desk's path and no obstacles higher than 500 mm under the table. Body parts and property can be crushed if trapped between an immobile obstacle and the desk's range of motion.
- Keep the work environment temperature at 0-40 °C. And keep goods away from corrosive gases, liquids, and dusty objects.
- Ensure the length of power cords is accounted for when operating the desk. Monitors, computers, speakers, and anything with a cord that is not long enough for the desk's range of motion could be pulled down or have its wires broken. Items pulled off the desk may cause other items to fall.
- It is strictly forbidden to disassemble the product without permission, in order to prevent the product from malfunctioning and electronic products from causing harm to the human body.
- Please provide this operation to any users, installers, or support personnel operating the product. Read relevant operating instructions before using. The company does not take any responsibility for product damage and human body injury caused by the abnormal operations.

CAUTION

USAGE

This desk height is adjustable so that it can be positioned at the most ergonomically suitable height. These desks are designed only for the purposes included in this manual. They should not be used in environments with high humidity or dampness. Any other use is at the user's risk.

Do not move around, crawl or lie under the desk frame. Do not sit or stand on the desk frame.

Children should never use the desk unless they are supervised by adults.

Liability: Under no circumstances does the manufacturer accept warranty claims or liability claims for damages caused by improper use handling of the desk frame other than that which is described in this operation manual.

SETUP AND INSTALLATION

Once the desk has been assembled, adjust the feet so that the desk is level and does not shift its position. After this, connect the desk to the 110v or 240v outlet and the desk is ready for use.

Check that no cables can get jammed.

Choose a placement for the desk that's a safe distance from window frames, radiators, furniture, etc. So that people do not get stuck or trapped by the desk.

Do not place any objects that are taller than 50cm(20") underneath the desk. After it has been assembled, when moving the desk, DO NOT lift the desk by the desktop. Lifting this way can stress the fasteners connecting the desk base to the desktop. Lower the desk completely and lift the desk by grabbing the top of the desk base or by removing the desktop first.

 **CAUTION****SAFETY AND WARNINGS**

This desk height is adjustable so that it can be positioned at the most ergonomically suitable height. These desks are designed only for the purposes included in this manual. They should not be used in environments with high humidity or dampness. Any other use is at the user's risk.

Do not move around, crawl or lie under the desk frame. Do not sit or stand on the desk frame.

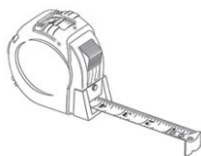
Children should never use the desk unless they are supervised by adults.

Liability: Under no circumstances does the manufacturer accept warranty claims or liability claims for damages caused by improper use handling of the desk frame other than that which is described in this operation manual.

TOOLS REQUIRED



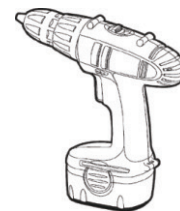
4mm Wrench
(Included)



Tape Measure



Phillips Head Screwdriver



Power Drill

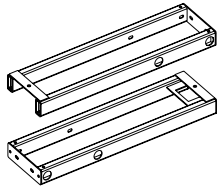
COMPONENTS



1

x2

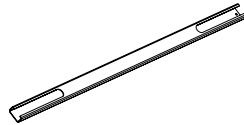
Lifting Column



2

x2

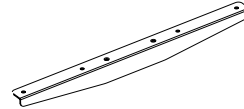
Crossbar End



3

x2

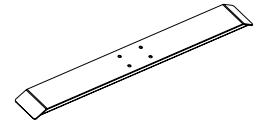
Crossbar Center Rails



4

x2

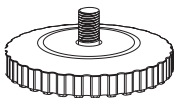
Side Bracket



5

x2

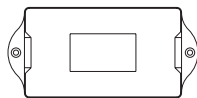
Foot



6

x4

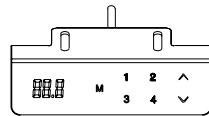
Leveling Studs



7

x1

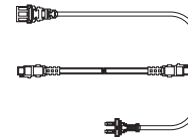
Control Box



8

x1

Handset



9

x2

Wires



10

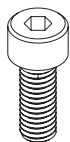
x1

Mesh

HARDWARE



A
x8
M6*12



B
x8
M6*16



C
x4
M6*8



D
x16
M5*18



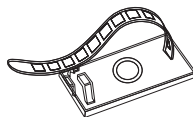
E
x2
M4*12



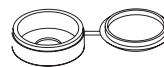
F
x8
M8*6



G
x10
Washers



H
x5
Cable Clips

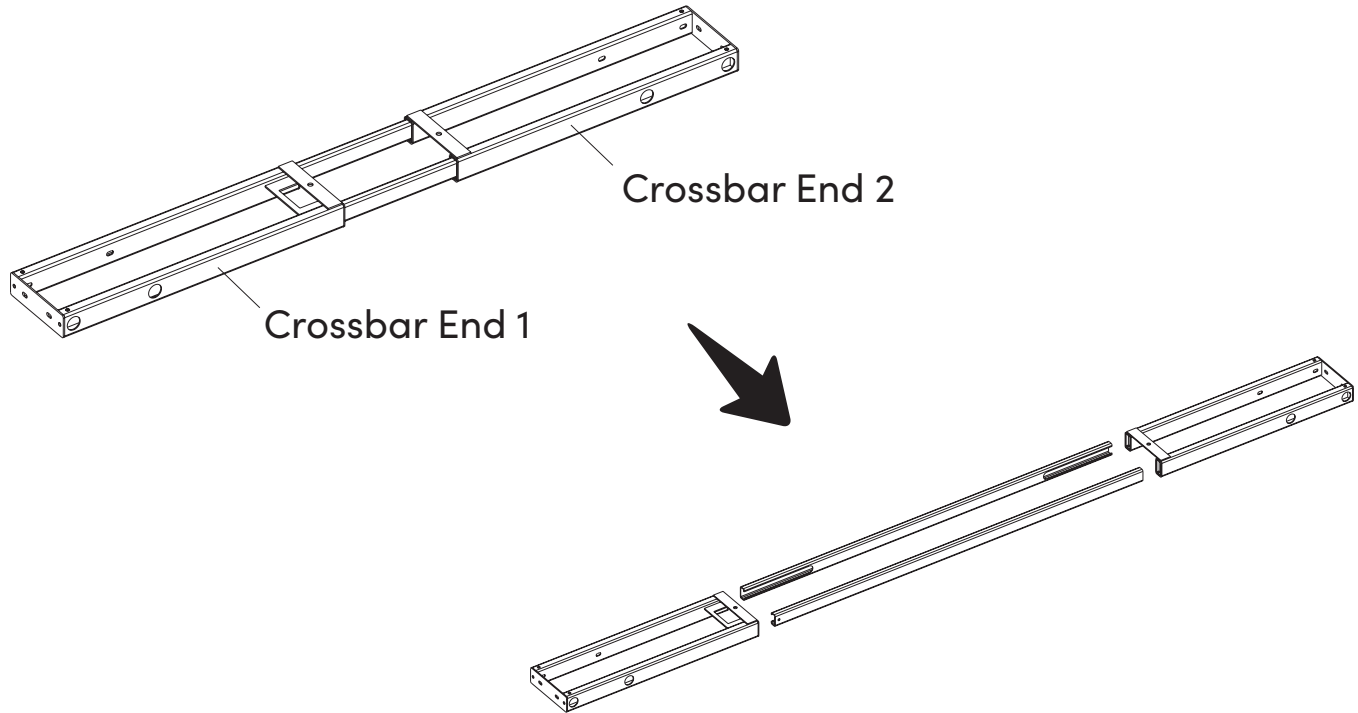


I
x6
Screw Cap

STEP 1

Pull out the frame

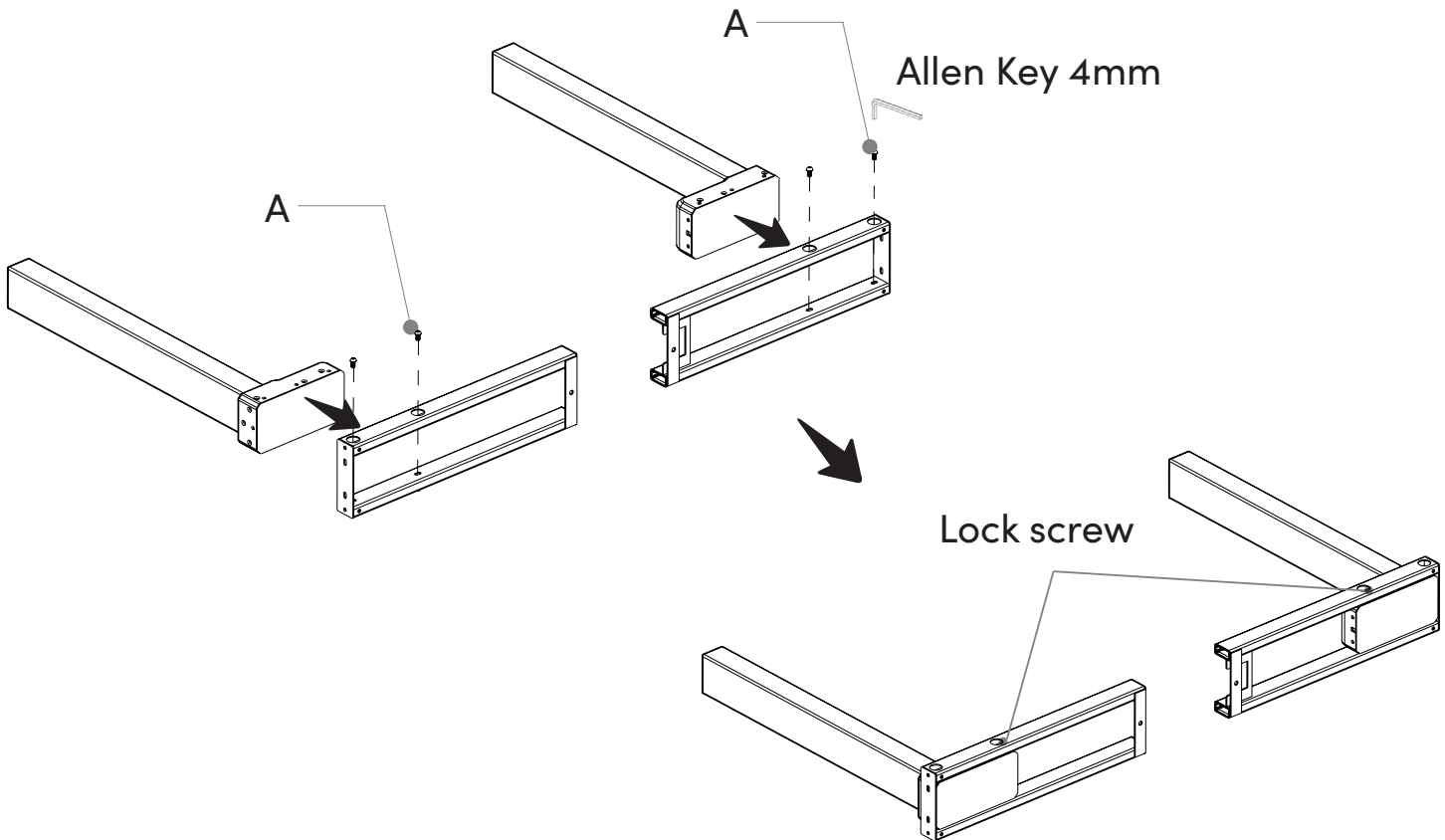
- Lay out all components and hardware to ensure that you have all the parts.
- Lay the Crossbar End 1 and 2 out flat on the floor, slide the frame out evenly from both sides.
- Slide crossbar center rails out of Crossbar ends.



STEP 2

Attach legs to frame

- Align the crossbar end to the lifting column, insert the A screws and tighten it.
- Repeat for the other side.

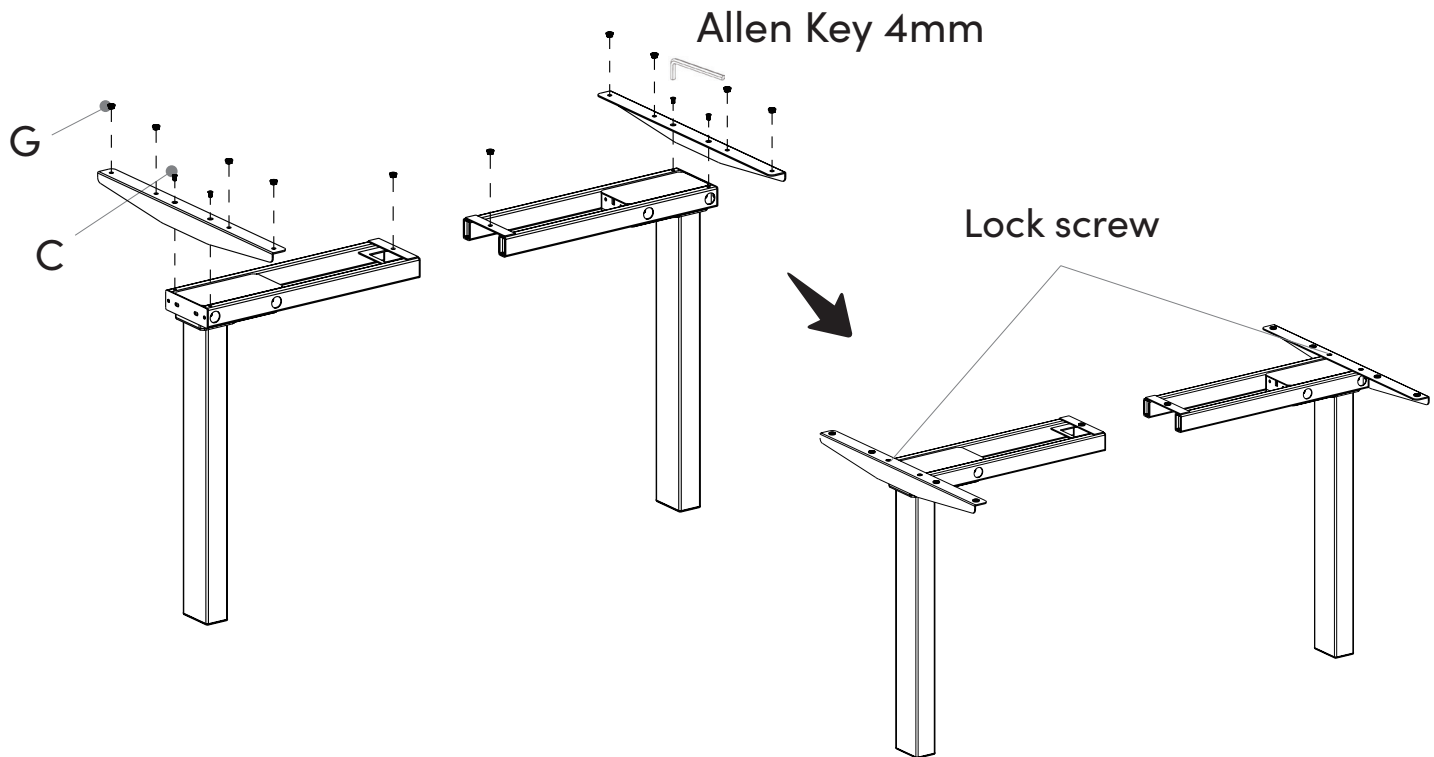


*Avoid over-tightening the screws to not damage the product.

STEP 3

Attach side bracket

- Line up the two holes on the side bracket with the crossbar end. Insert two Cs and tighten it.
- Attach the washers on the side bracket.
- Repeat for the other side.

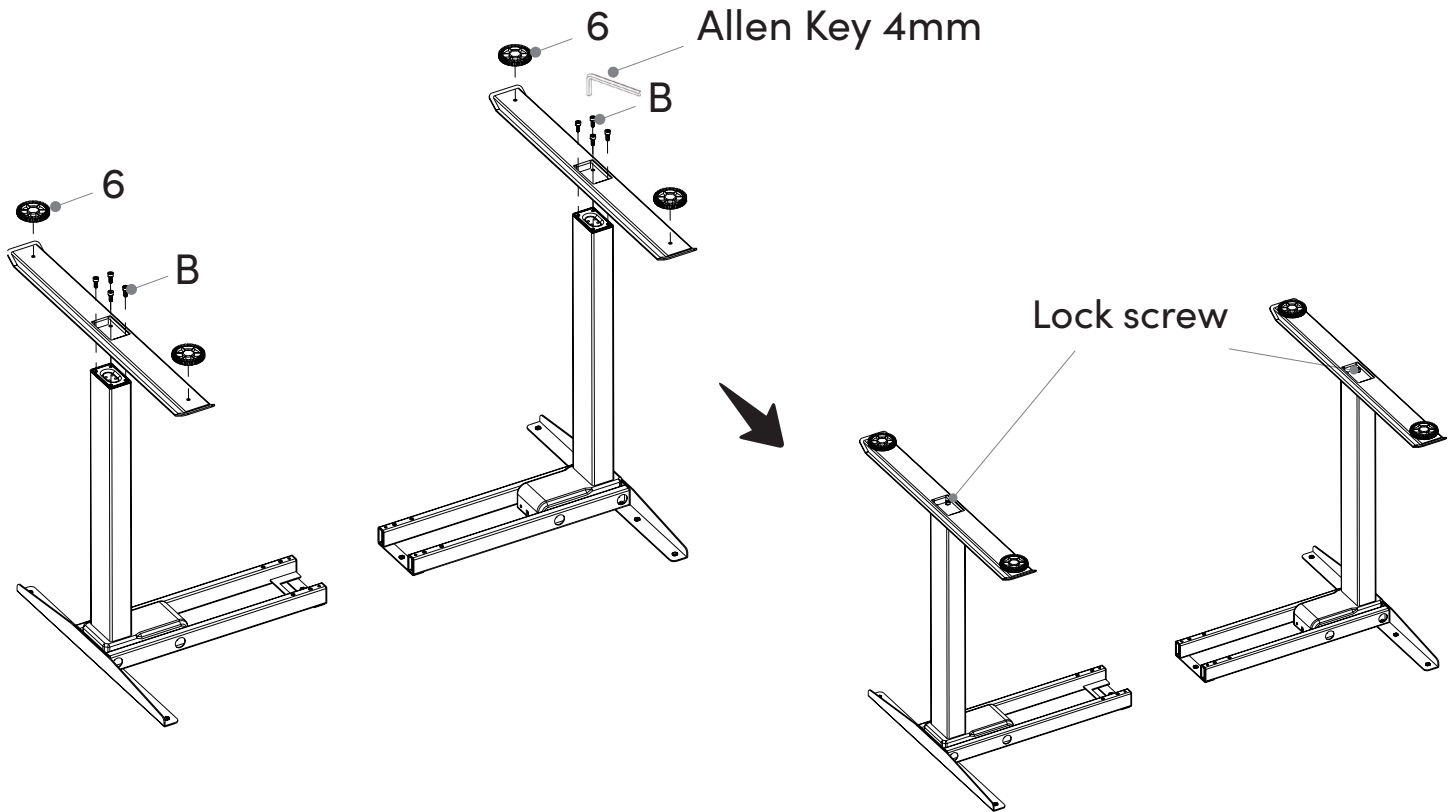


*Avoid over-tightening the screws to not damage the product.

STEP 4

Attach foot

- Attach leveling studs to the foot.
- Align the foot with the lift column, and insert and tighten four Bs into the holes under the foot.
- Repeat for the other side.



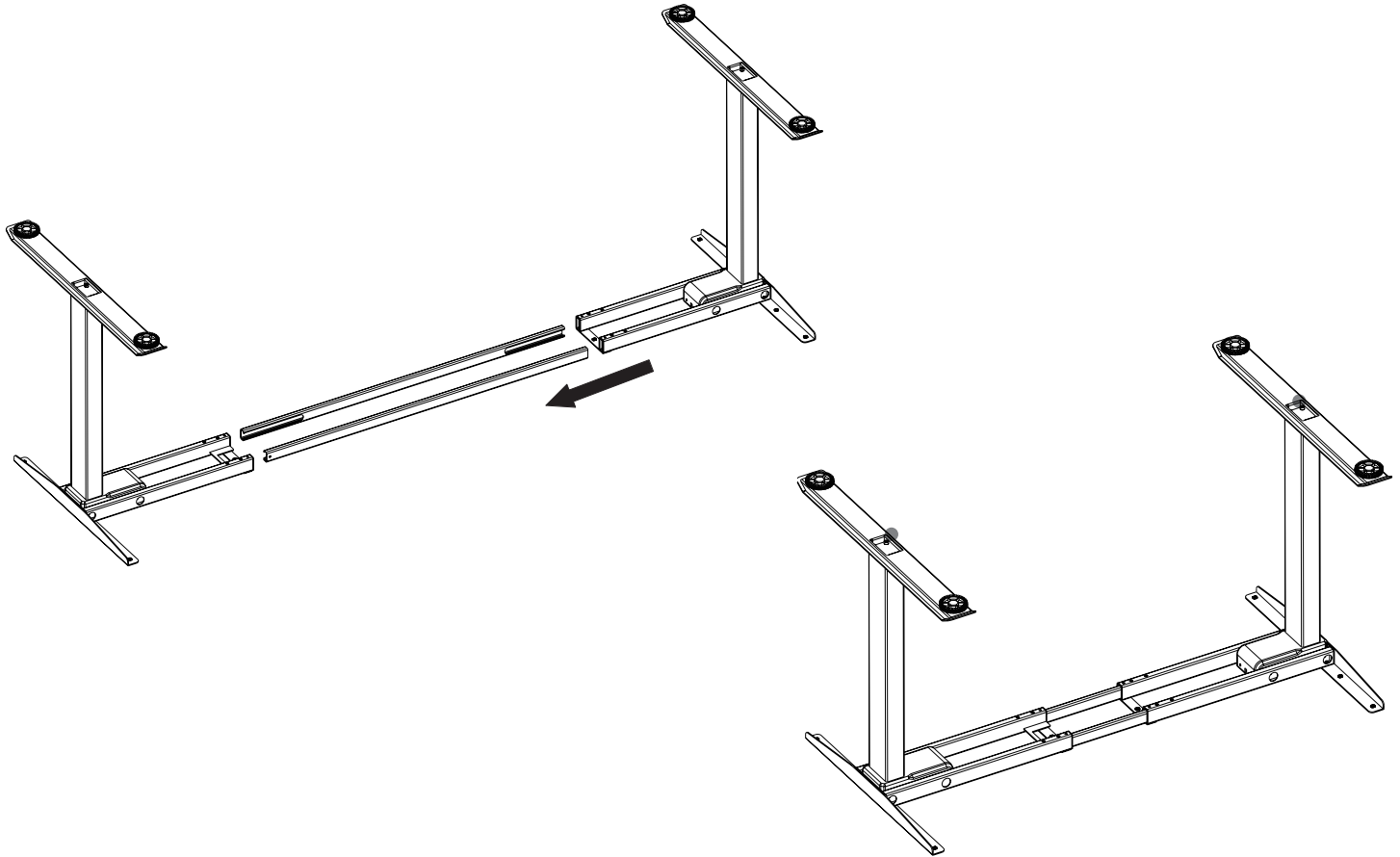
*Avoid over-tightening the screws to not damage the product.

STEP 5

Merge the frame

Slide crossbar center rails back into crossbar ends.

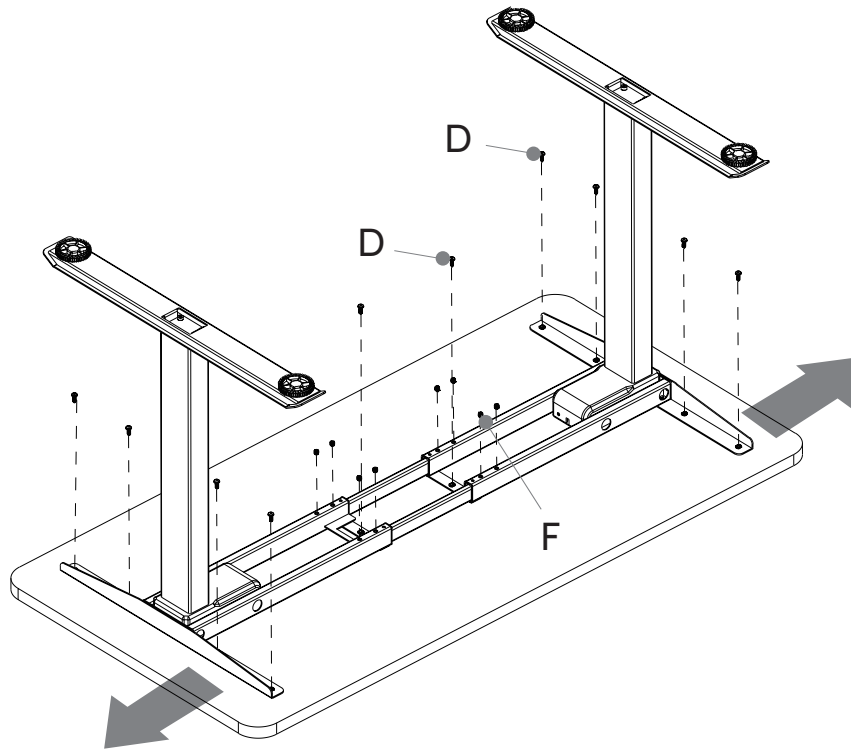
Ensure the slots of the crossbar center rails are facing inward.



STEP 6

Attach frame set to tabletop

- Place the bottom of the tabletop on the underside of the installed frame, stretch the frame. It is recommended that the frame side boards at both ends be 50mm away from the edge of the table board. Fasten with D screws/G washers (installed in Step 3.) Do not overtighten.
- Use F screws to fasten the crossbar ends and crossbar center rails.

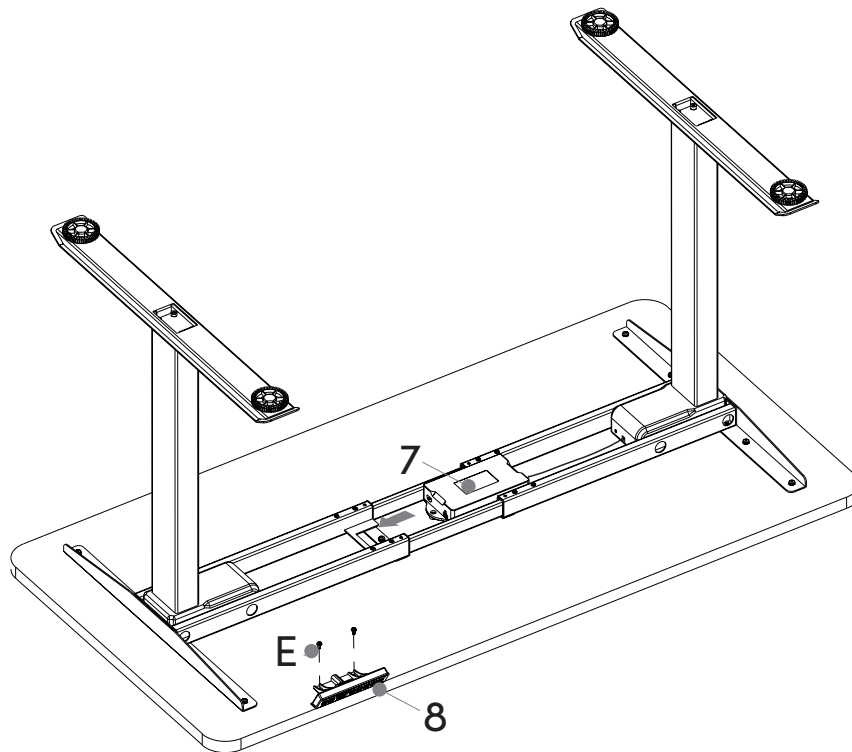


- *The length of the frame can be adjusted by lifting the two side brackets. The adjustable range is 1010-1750mm, which can be used for tables of different widths.
- *Avoid over-tightening the screws to not damage the product.

STEP 7

Attach control box & handset

- Insert the control box (7) controller into the crossbar.
- Attach the handset (8) to the tabletop plate with E screws.

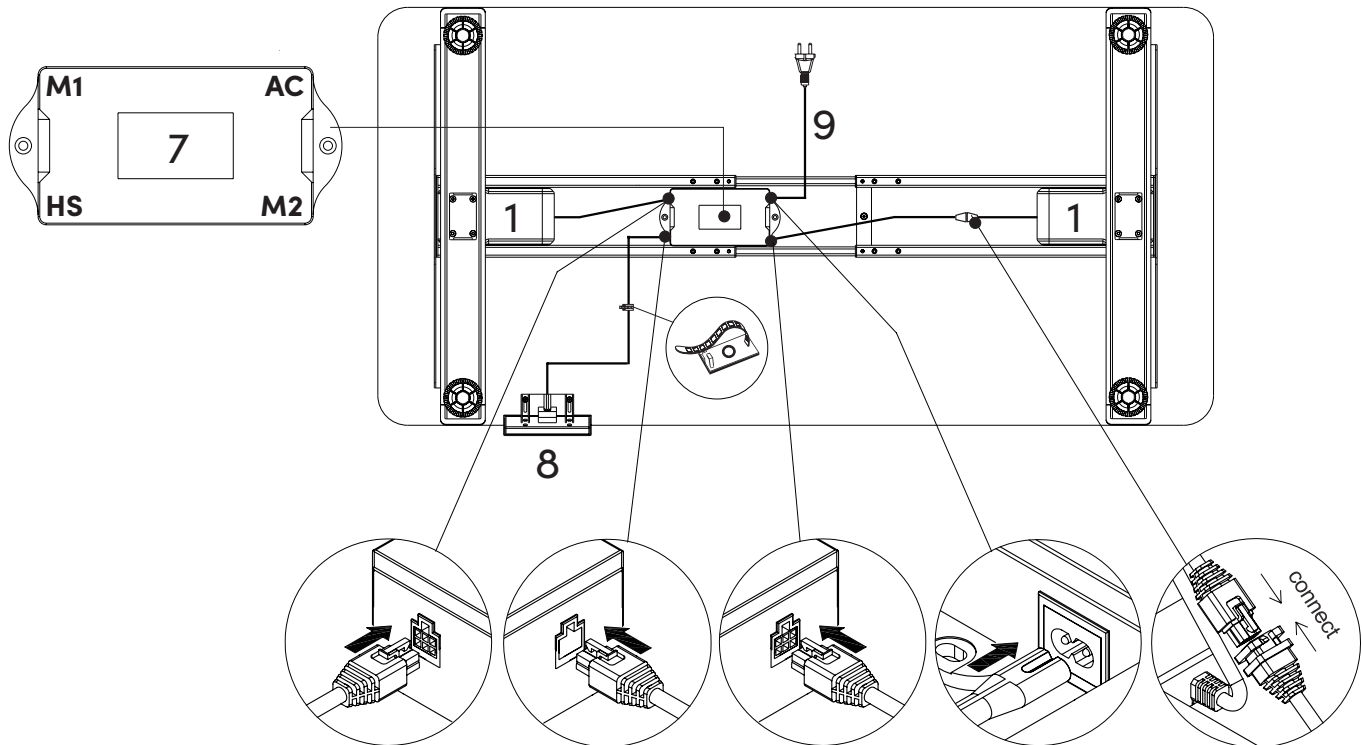


*Avoid over-tightening the screws to not damage the product.

STEP 8

Connect cables

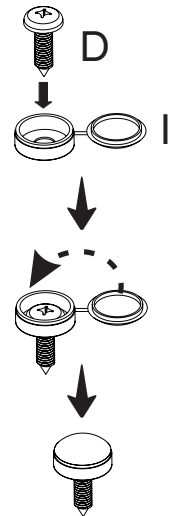
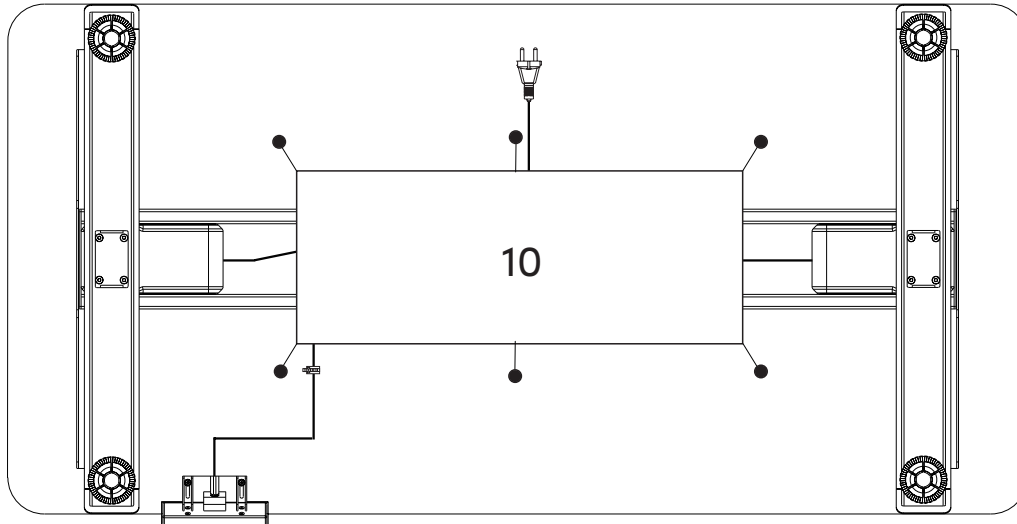
- Connect the line pulled from lifting column 1 to control box (7) M1.
- Connect the line pulled from the other lifting column to control box (7) M2.
- Connect the outgoing line from the handset (8) to the control box (7) HS port.
- Connect the power cable (9) to control box (7) AC port.



STEP 9

Attach Mesh

- Put D into the hole of the screw cap.
- Fix D on the desktop
- Cover the screw cap.

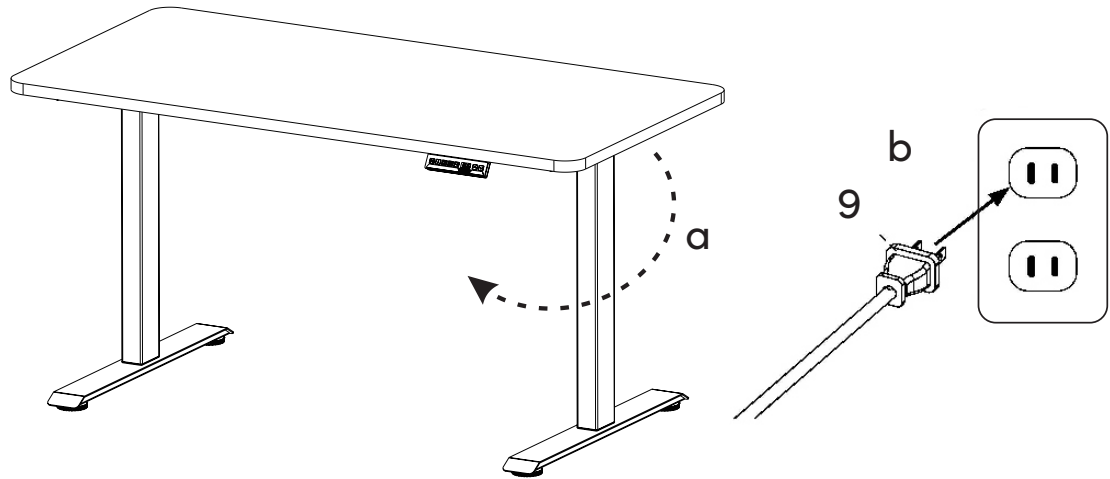


STEP 10

- With the desk at its lowest height, turn the assembled desk right-side up with at least two people.
- Plug the power cord (9) into a 110-240v outlet.

*NOTE: Grab the desk frame (not the desktop) and turn the desk right-side up.

*CAUTION: The desk is very heavy.



Adjust leveling studs

If necessary, adjust the leveling studs to level the desk. Unscrew to increase height, screw in to lower the height.

Initialize

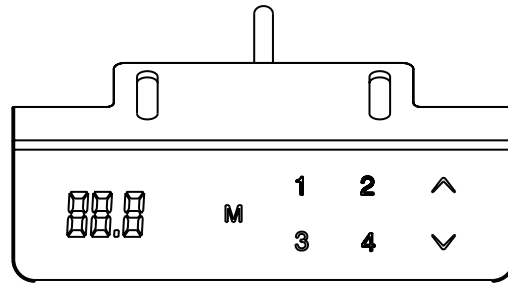
- Press "V" button until desk reaches the lowest position.
- Hold "V" for 5 seconds until there is a beep sound which confirms the desk reset.



You must complete this initialization step or your work center will **NOT** function properly




*Hold down the down arrow until workcenter moves slightly upwards.

OPERATING MANUAL





● RESET

▲ Reset after the initial installation or power failure





1. **RST**
 - When the system is abnormal, or the hand controller displays "RST", The lifting table needs to be reset.
 2.  
 - Press and hold the "v" key to lower the desk to the lowest height, release and press the "v" key until the display shows RST and a beep sound is heard, and the display shows "60" (three-section column) or "70" (two-section column).
 3. 
 - Release the "v" button, the reset is successful at this time, and the desk can be used normally.
- Note: During all reset processes, the anti-collision system will fail at this time. Please ensure that there are no obstacles near the table during the reset process to prevent danger.

● UP and DOWN

1. 
 - Press "^" key to adjust ascending height freely.
2. 
 - Press "v" key to adjust descending height freely.

• Location storage and memory operation

⚠ By memorizing the position setting, you can easily reach the position you want with one click. (Two key switches do not have this function)

1.   • Ascend or descend to your desired height.
2.  • Press and hold the M key until show "S–"
3.  • Press the "1" key to complete the setting of the first memory. ("2" key and "3 key" are the same as above)

• Time Reminder





1. Press "1+3" key, handset will display 0.0h to 9.0h
2. Press UP or DOWN button to set the remind duration it can be adjusted from 0.0h to 9.0h
3. After setting, release the UP or DOWN button, it will go back to height display automatically.

• Anti-collision protection





⚠ Before using this product, check for obstacles and remove them in advance.

- When the tabletop encounters an obstacle in the process of ascending or descending, it will immediately rise or fall in the opposite direction.
- The tabletop runs in reverse for some distance and works normally after removing the obstacle.


• Locking and unlocking child locks

1.   • Locking: Hold "^"+"v" for 5 seconds at the same time, when the digital tube shows "Loc ", this time indicates that the system has been locked. Cannot do lifting operation on the system.
2.   • Unlock: Hold "+"(" for 5 seconds at the same time, when the digital tube is displayed from Loc to the normal digital display, indicating that the system has been unlocked.



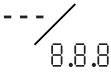
● Locking and unlocking child locks

1.   • Locking: Hold "^"+"v" for 5 seconds at the same time, when the digital tube shows "Loc", this time indicates that the system has been locked. Cannot do lifting operation on the system.
2.   • Unlock: Hold "+"(" for 5 seconds at the same time, when the digital tube is displayed from Loc to the normal digital display, indicating that the system has been unlocked.

● Internal parameters and installation distance settings

1.  • By long pressing the M key for 10 seconds, you can enter the setup interface, showing the x-y simultaneously y flashing, where x is the parameter group, and the parameter value corresponding to y . The parameter group can be switched by pressing "SET" and the value of the parameter can be changed by pressing "up" or "down ". Set the parameters by pressing the "M" key for 10 seconds to return to the running interface.
2. The following parameters can be set:
 - a. "1-y" "y" 0 means CM display,"y"1 means INCH display ;
 - b. "2-y" "y" means the gyroscope has the resistance to stop accuracy,0 means off,1 is the most sensitive and 8 is the most insensitive. ;
 - c. "3-y" "y" means up-current resistance stop accuracy,0 means off,1 is most sensitive and 8 is most insensitive.
 - d. "4-y" "y" means the down current meets the stop precision,0 means the off,1 is the most sensitive and 4 is the least sensitive.
 - e. "yyy" "yyy" three digits are displayed at the same time,it means the installation distance, the unit is cm.

Error messages on the handset 's display

| Displayed error message | Possible cause | Solution |
|---|---|--|
|  | High power temperature | Wait for 18mins or unplug the desk for 15seconds then plug it again |
|  | There is an internal error in the control unit. | Unlock the desk, keep pressing the up and down button together till the loc disappears. |
|  | Bad connect | Check the Handset and Control Box properly plugged, if not work Change the Handset or Control Box. |
| Blank screen | No connect | Check the plug are properly plugged, if not work please plug Handset or Control Box. |
| E4 | Hand controller communication error | Check the manual line |
| E6 | Failure of main power start | Replace the main power supply or check the main power connection |
| E7 | Protection while main power is running | Power up again |
| E8 | Tilt while the desktop is running | Reinitialization |
| E11-E28 | Defective control box or lift column | <p>STEP 1. Switch the motor cable connection M1 and M2</p> <p>STEP 2. See the error code again.</p> <p>A.If the error code is the same, replace the control box</p> <p>B.If the code is different, for example, E21 change to E11, replace the lift column.</p> <p>STEP 3. Confirm which lift column needs to be replaced.</p> <p>A.E11-E18 means the column connected to M1</p> <p>B.E21-E28 means the column connected to M2</p> |
| E36 | Motor 3 shutoff | Reinitialization |
| E42 | Memory error | Replacement of controllers |
| E43 | Stop sensor error | Replacement of controllers |