

# ROVECONCEPTS

Refined Luxury Living



## GEORGIO STANDING DESK ASSEMBLY INSTRUCTIONS

# HARDWARE



**1**

x12  
M8\*45



**2**

x8  
M6\*40



**3**

x4  
M6\*15



**4**

x12  
M6\*15



**5**

x8  
M6\*20



**6**

x8



**A**

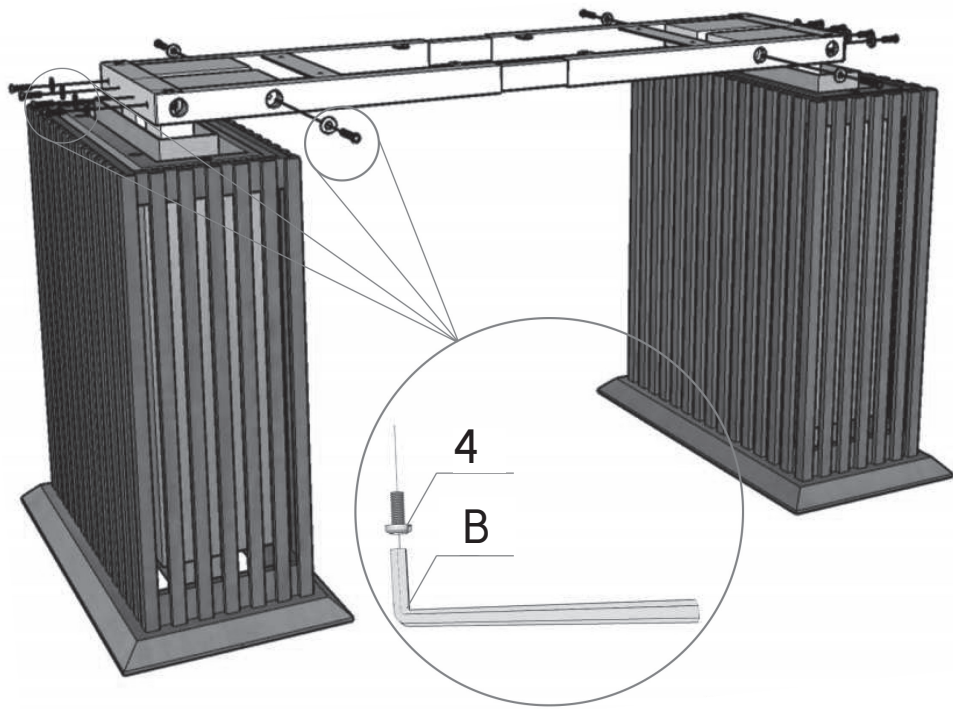
x1  
M5



**B**

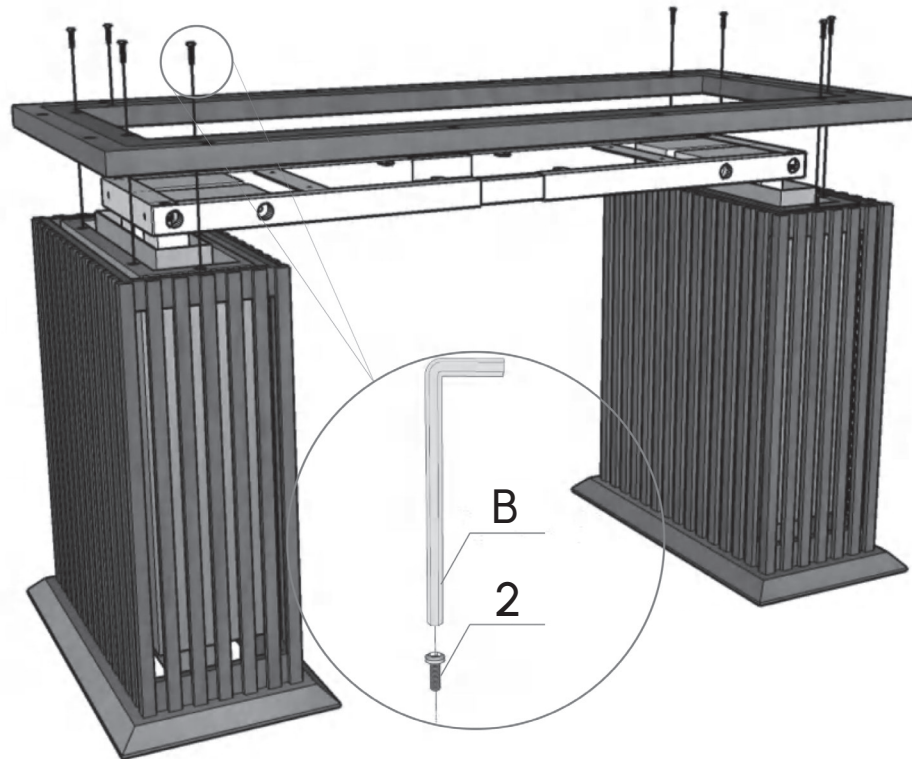
x1  
M4

# STEP 1



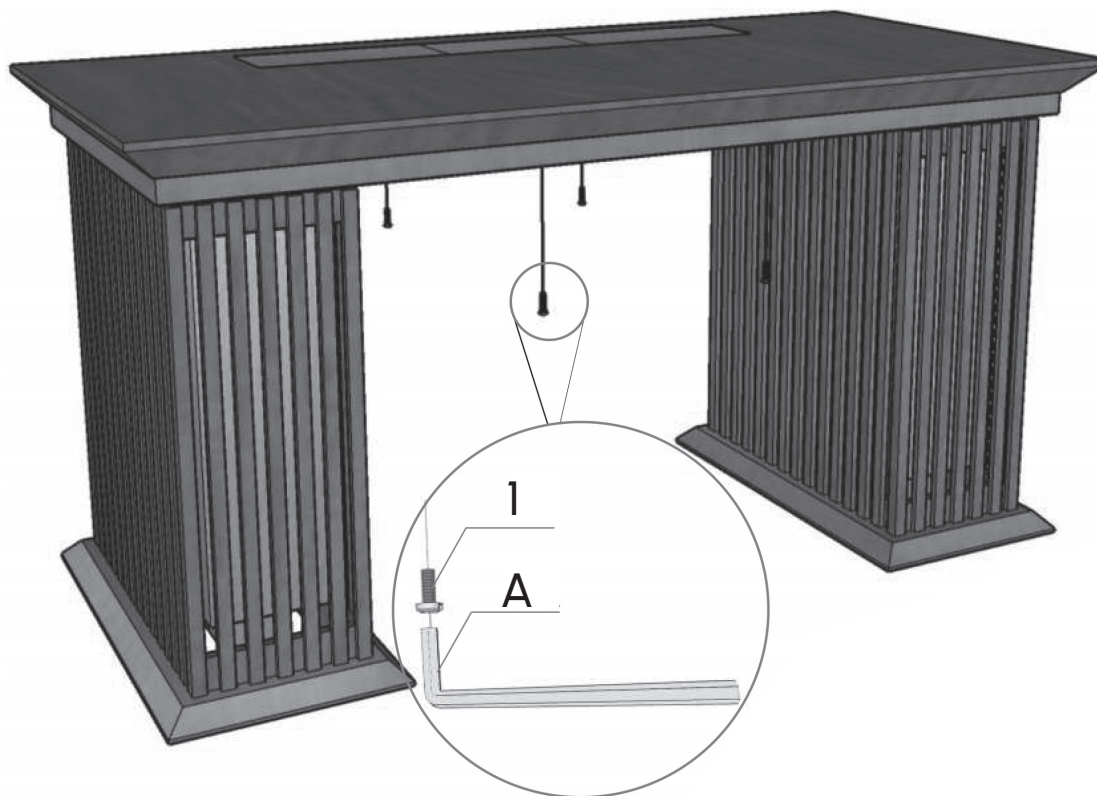
# STEP 2

1. Place the metal inner barrel in the center.
2. The screws on both sides should be locked at the same time.  
Do not tighten screws one side at a time.
3. Draw off the wooden bar.

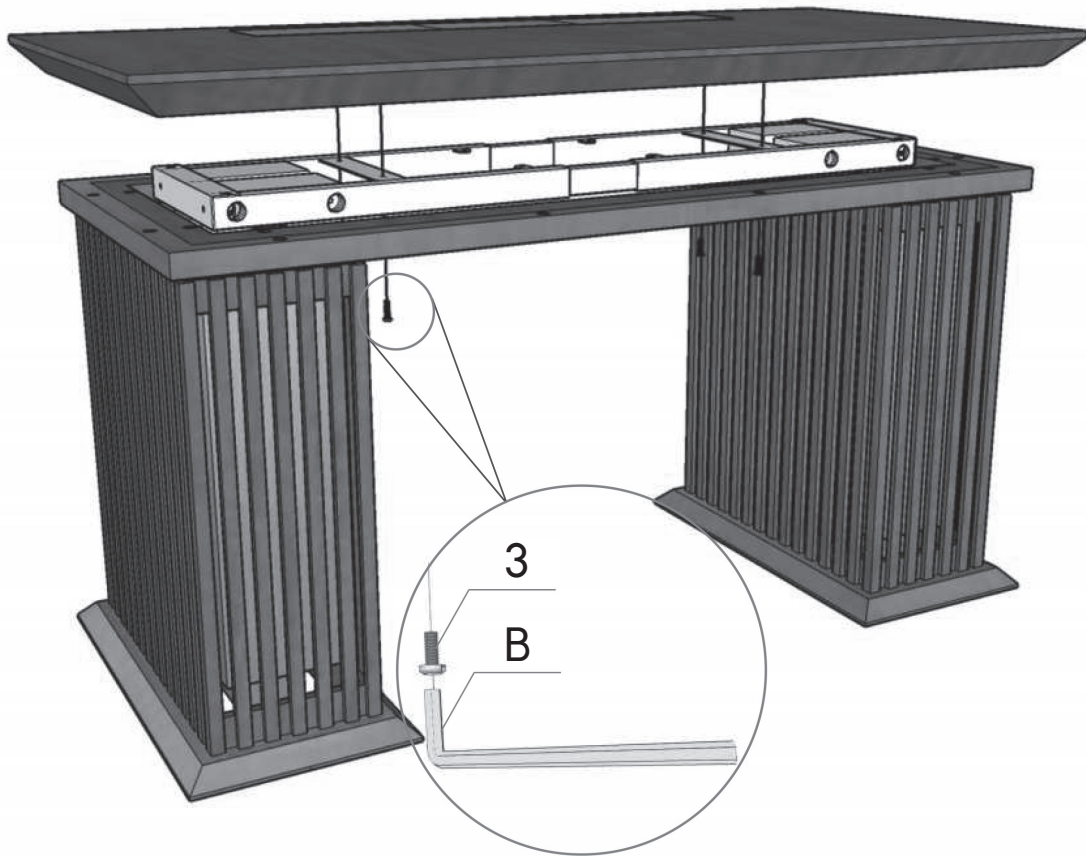


# STEP 3

Raise the desktop base plate and lock the screws.

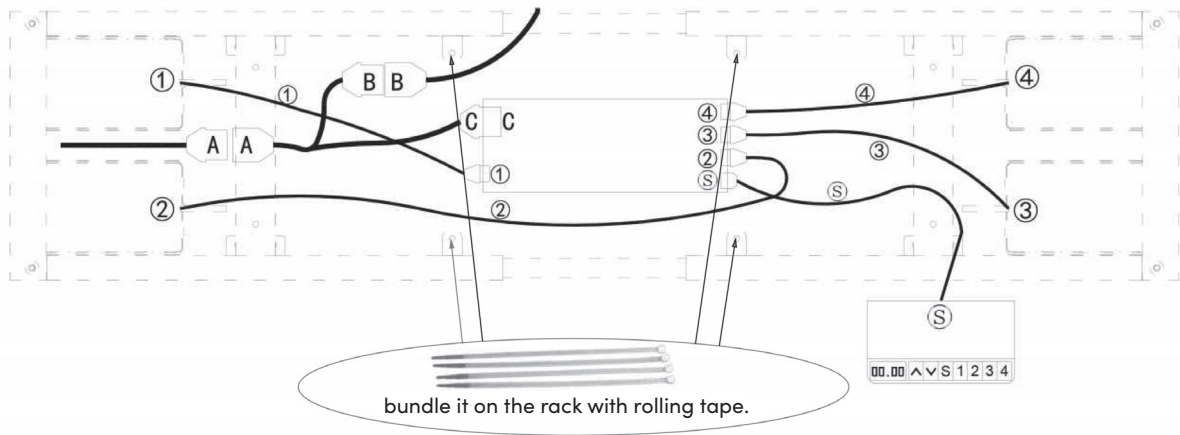


# STEP 4



# STEP 5

Connect the corresponding wires according to the number and bundle it on the rack with rolling tape.



# STEP 6

1. In first using or re-work after power off, please reset operation.

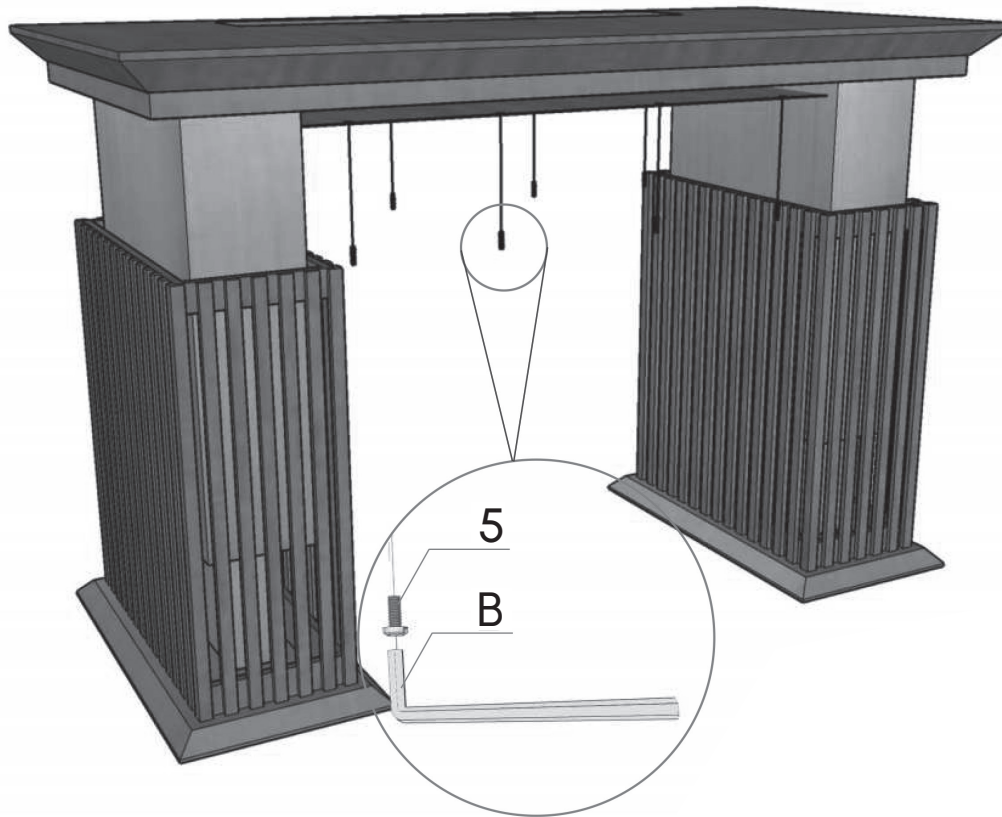


At the lowest altitude, press and hold the down button “↓”. After about 5 seconds, the system enters initialization mode until the display reads 70.0 altitude. Then press the “↑” key to raise the desk-top.



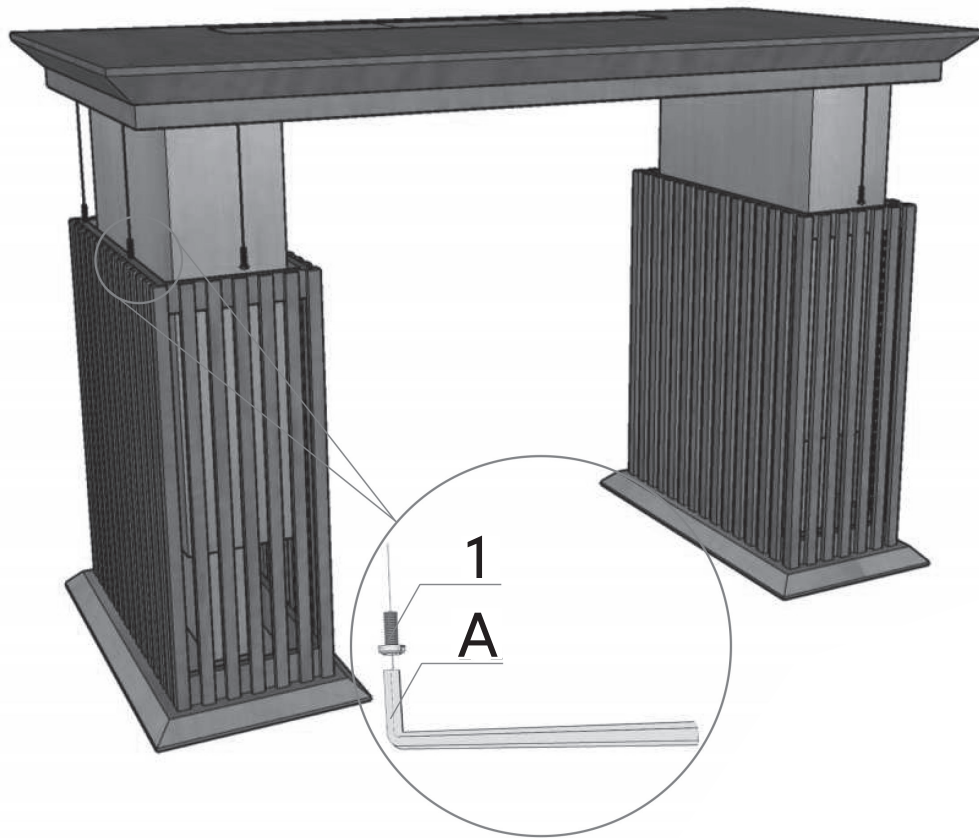
# STEP 7

Cover the wooden base plate and tighten the screws.



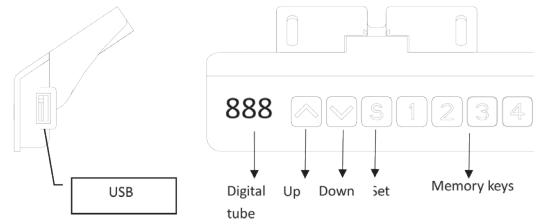
# STEP 8

There are two screws on the outer side of each table legs.



# STEP 7

## 1. Key Description



## 2. Reset

!!! In first using or re-work after power off, pls do reset operation.

At the lowest altitude, press and hold the down button "↓". After about 5 seconds, the system enters initialization mode until the display reads 70.0 altitude.

## 3. Position reserve and memory run

Touch "S" button, indicator show "S-", meanwhile "-" flicker, at the same time touch "1-4" button, reserve this position to relative "1-4", four memory position can reserve.

## 4. Display unit conversion

When operation is stopped, press the S+3 key combination to switch the display units (inches and centimeters).

## 5. Error Codes and Handling

Error Code	Description	Solution
ER1	Check motor 1 connection cable	Motor cable reconnection
ER2	Check motor 2 connection cable	Motor cable reconnection
ER3	Check motor 3 connection cable	Motor cable reconnection
ER4	Check motor 4 connection cable	Motor cable reconnection
ER5	Motor 1 is out of phase or overloaded	Re-run
ER6	Motor 2 is out of phase or overloaded	Re-run
ER7	Motor 3 is out of phase or overloaded	Re-run
ER8	Motor 4 is out of phase or overloaded	Re-run
E34	Hand controller connection abnormal	Check the cable and reconnect
A01	Motor 1 stopped when blocked	Run again after the digital tube goes off
A02	Motor 2 stopped when blocked	Run again after the digital tube goes off
A03	Motor 3 stopped when blocked	Run again after the digital tube goes off
A04	Motor 4 stopped when blocked	Run again after the digital tube goes off
A0B	Gyroscope block stop	The controller needs to be fixed smoothly
EO9	Table tilt	Adjust the table as high as each column
HOT	Overheat protection	Overheat protection after continuous operation for 150s. Auto clear after 18 minutes or power off for 30 seconds

6. Caution: Do not hold the remote control panel for more than 2 mins as it may overheat. If the control panel overheats, auto clear after 18 minutes or power off the control panel for 30 seconds.