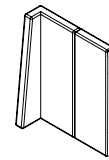
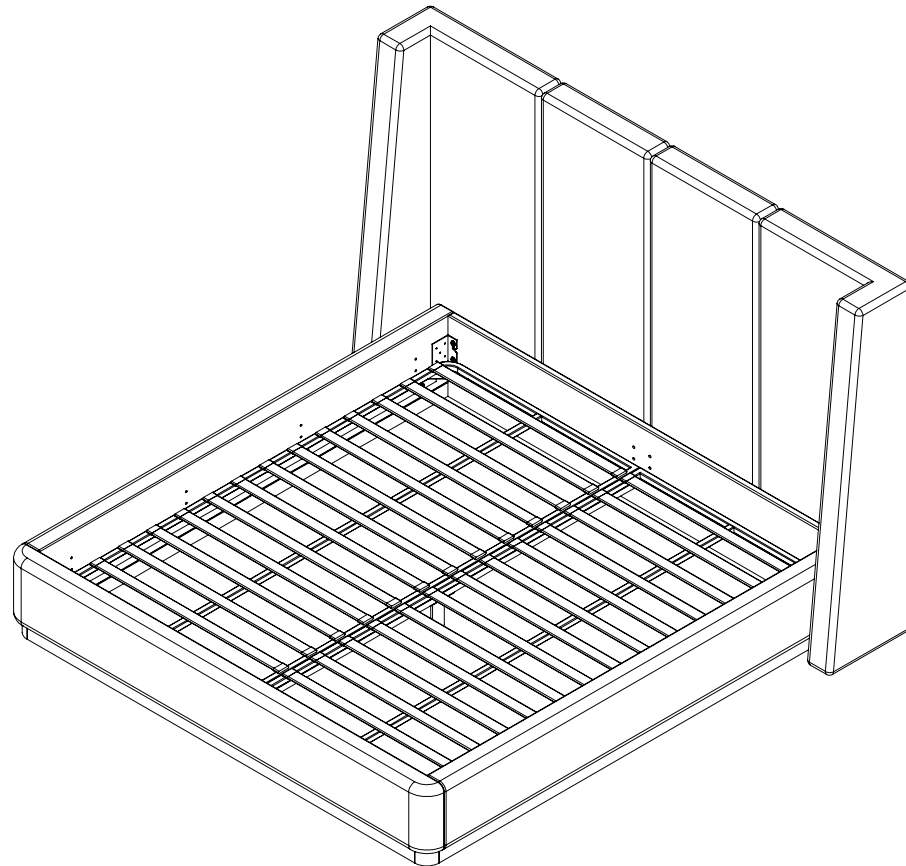


# ROVECONCEPTS

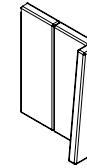
## HERA BED - KING ASSEMBLY INSTRUCTIONS

### HARDWARE



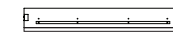
**A**

x1



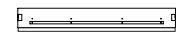
**B**

x1



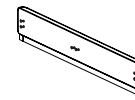
**C**

x1



**D**

x1



**E**

x1



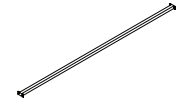
**F**

x2



**G**

x1



**H**

x1



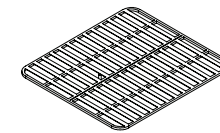
**I**

x1



**J**

x2



**K**

x1



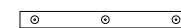
**L**

x10  
M6\*30



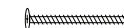
**M**

x2



**N**

x2



**O**

x6



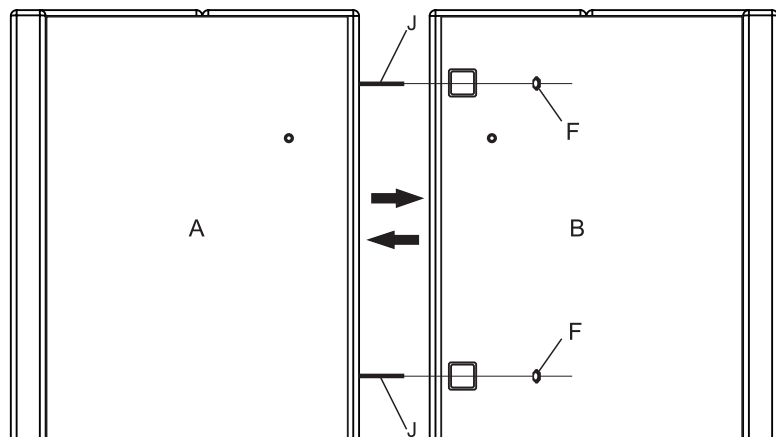
**P**

x1  
M6

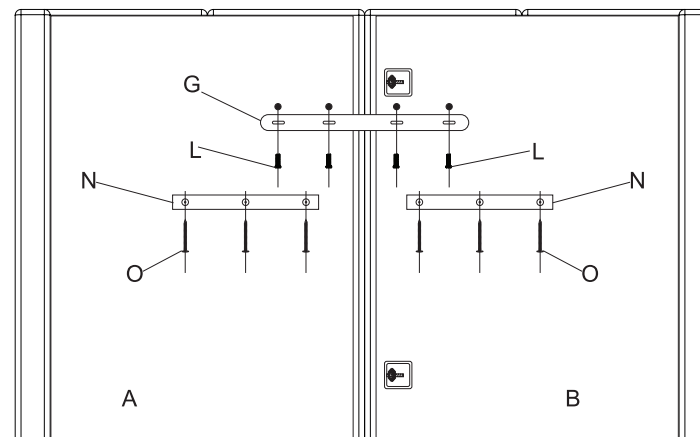
# ROVECONCEPTS

## HERA BED - KING ASSEMBLY INSTRUCTIONS

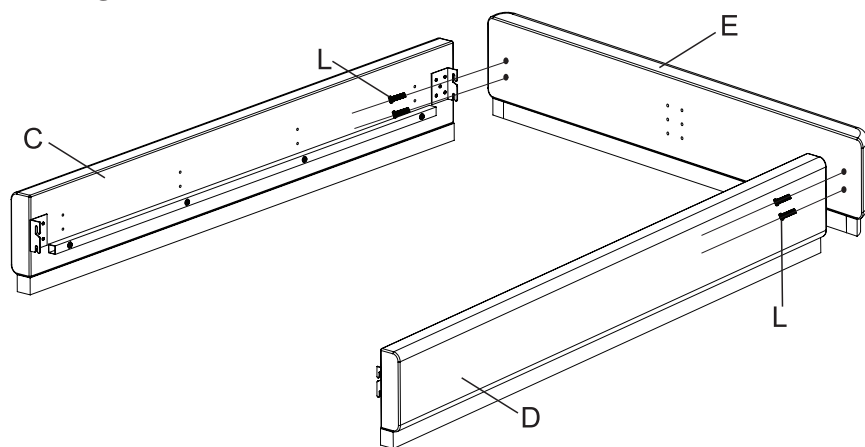
### STEP 1



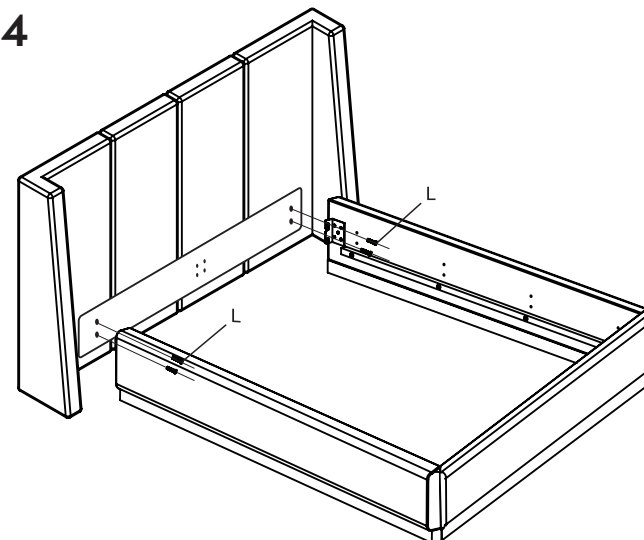
### STEP 2



### STEP 3



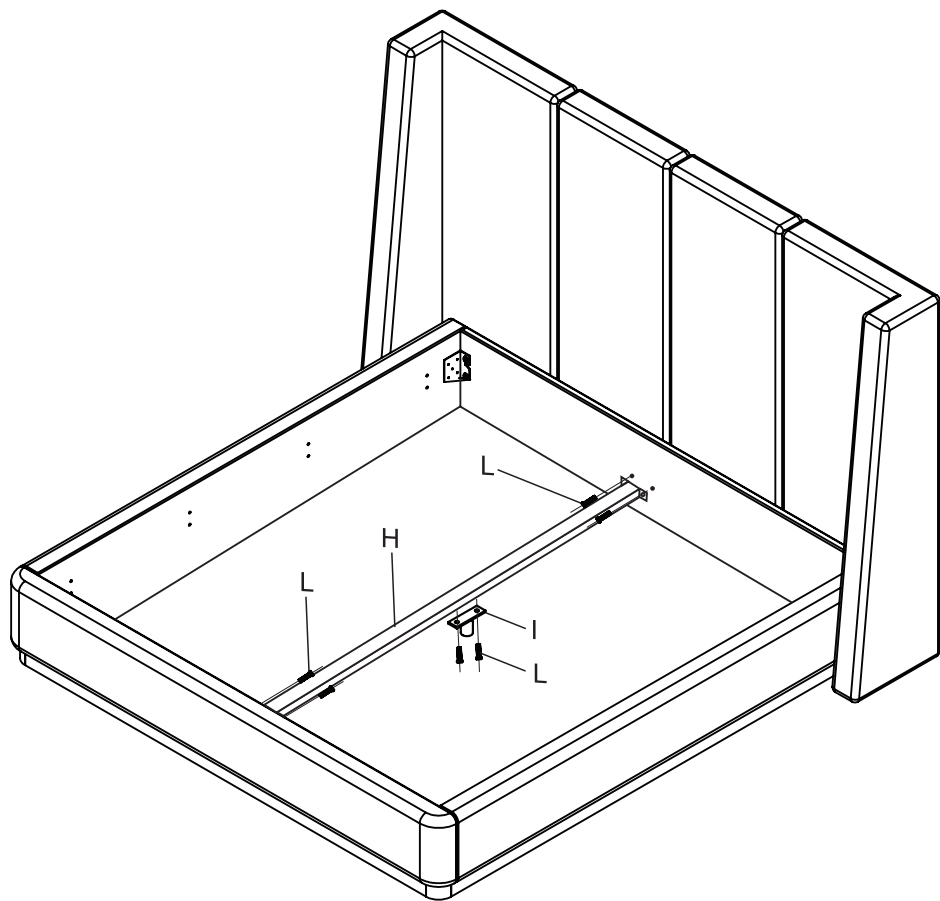
### STEP 4



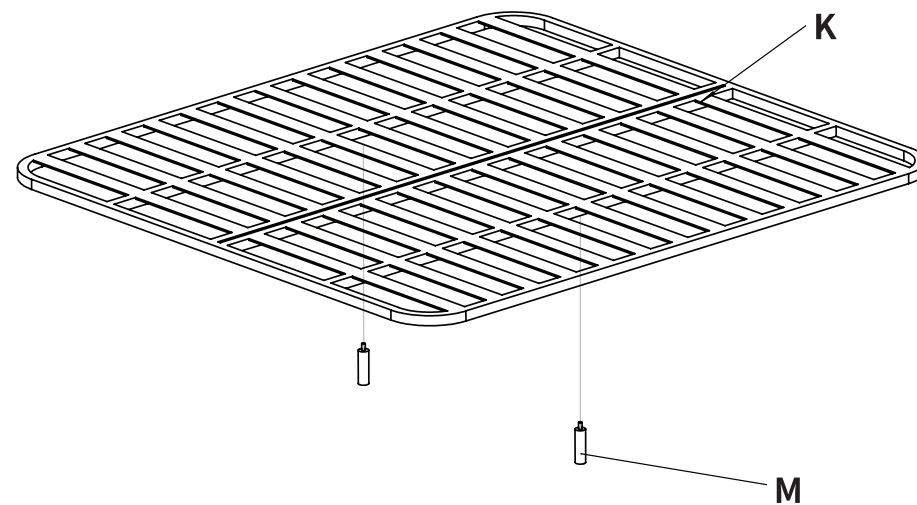
# ROVECONCEPTS

## HERA BED - KING ASSEMBLY INSTRUCTIONS

### STEP 5



### STEP 6



# ROVECONCEPTS

## HERA BED - KING ASSEMBLY INSTRUCTIONS

### STEP 7

