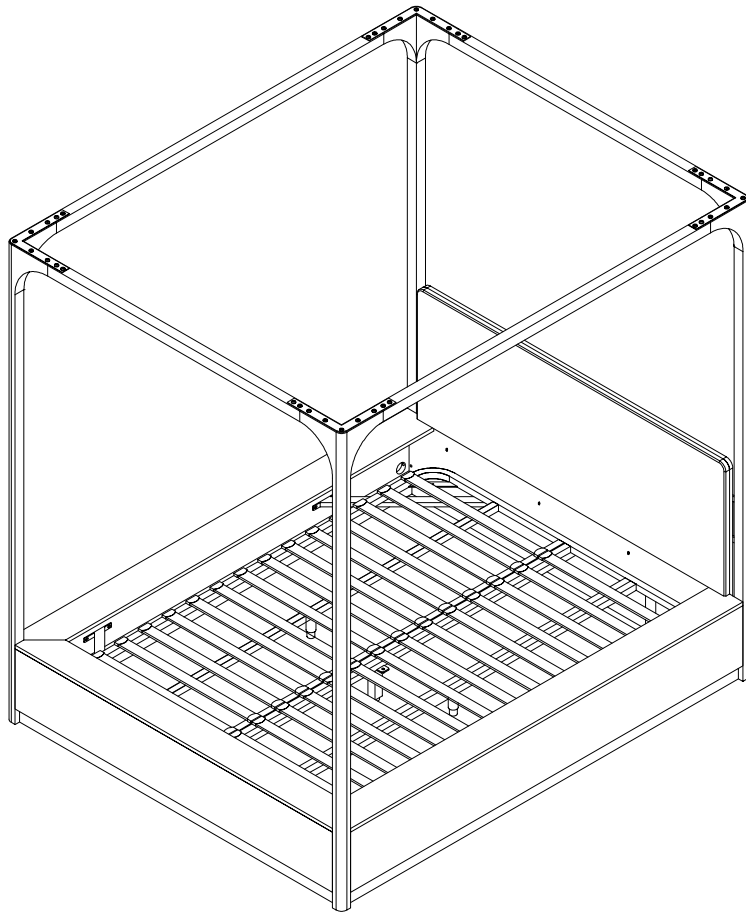


ROVECONCEPTS

NERVA KING BED ASSEMBLY INSTRUCTIONS

HARDWARE



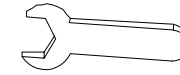
A
x16
M8*80



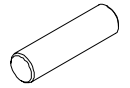
B
x16
M8*25



C
x16
M8



D
x1
M13*90



E
x12
Ø10*40



F2 YELLOW
x20
M6*20



G2 YELLOW
x20
M6*19



F BLACK
x58
M6*20



G BLACK
x62
M6*19



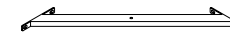
H
x62
M6*12



I
x4
M6*35



J
x1
M4*100



K
x4



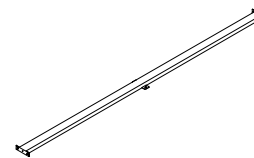
L
x4



M
x4



N
x1



O
x1

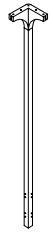


Z
x2

ROVECONCEPTS

NERVA KING BED ASSEMBLY INSTRUCTIONS

PART LIST



P

x2



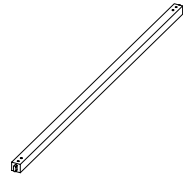
Q

x1



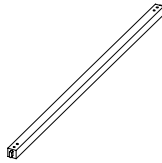
R

x1



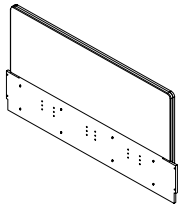
S

x2



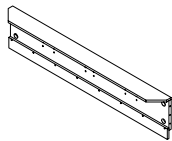
T

x2



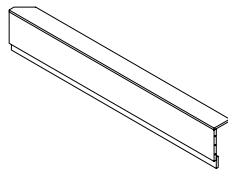
U

x1



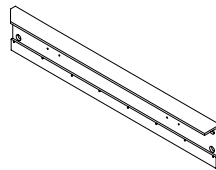
V

x2



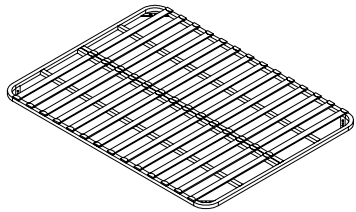
W

x1



X

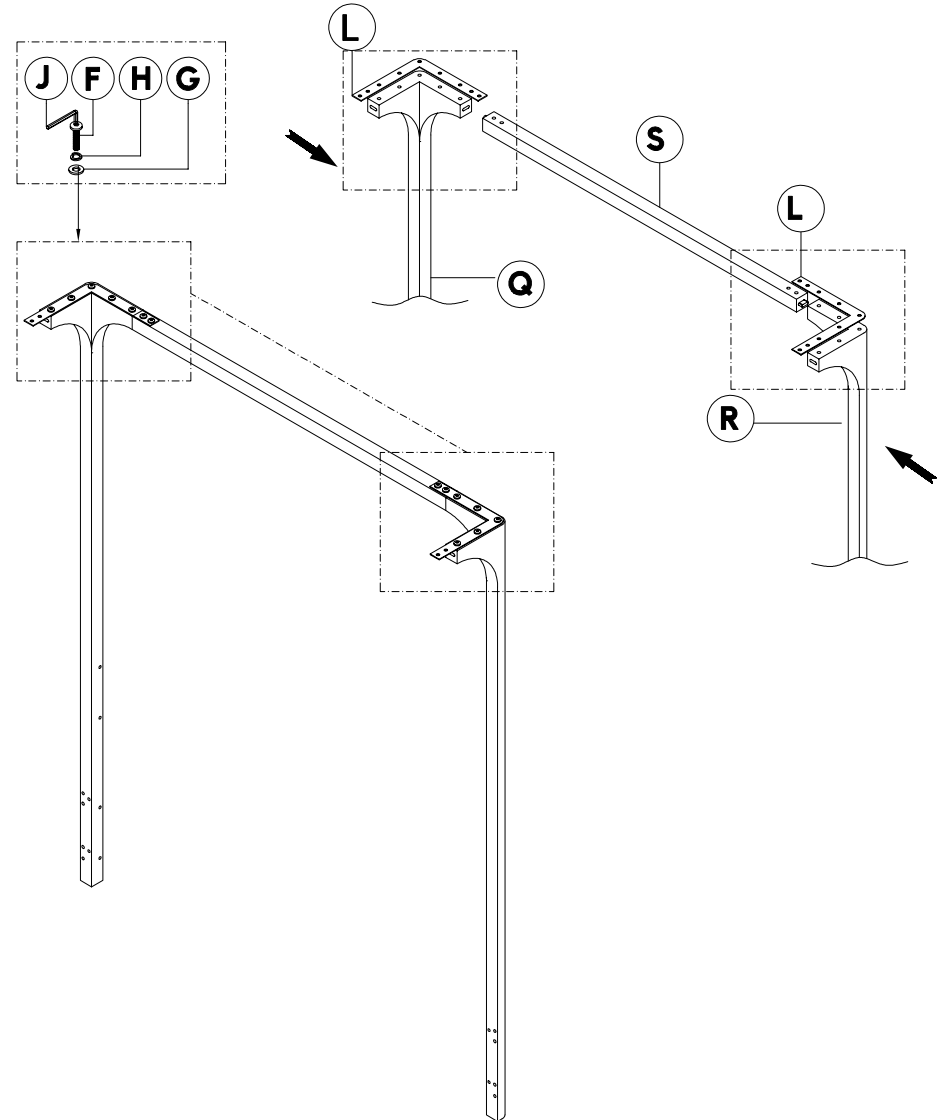
x1



Y

x1

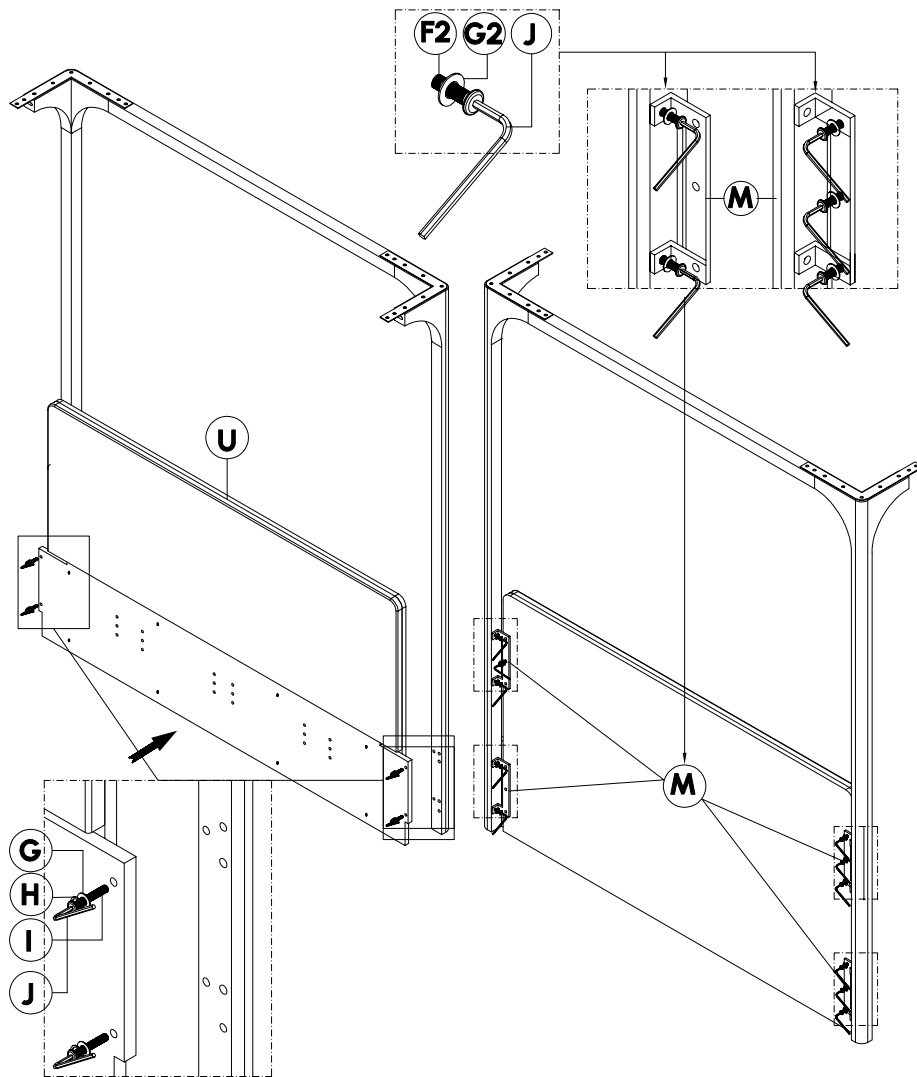
STEP 1



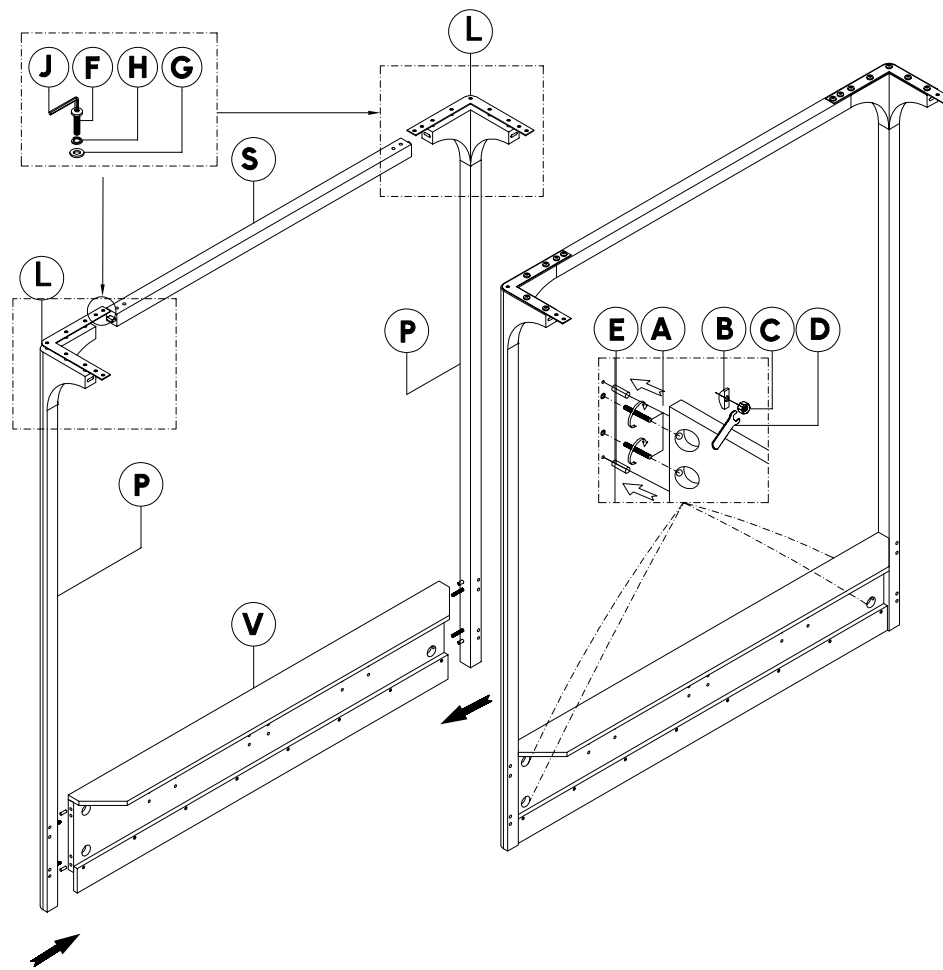
ROVECONCEPTS

NERVA KING BED ASSEMBLY INSTRUCTIONS

STEP 2



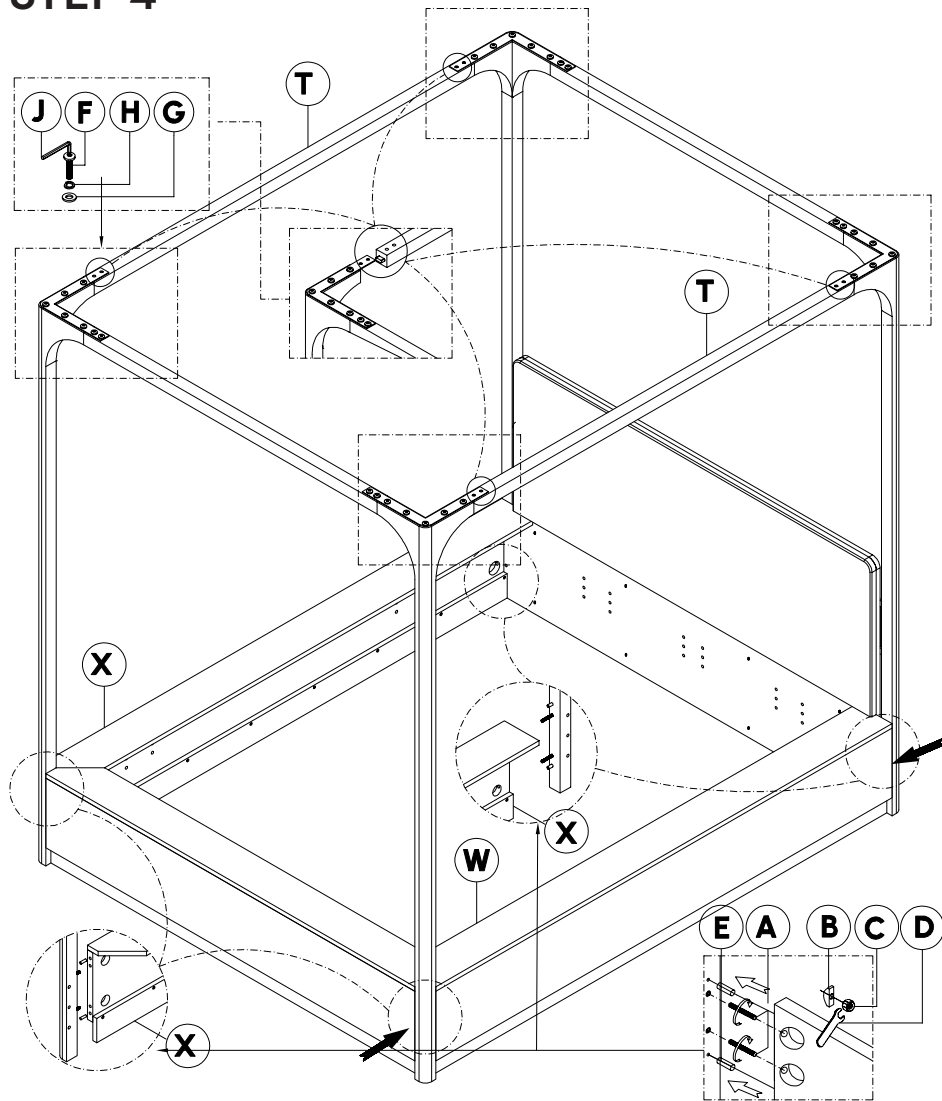
STEP 3



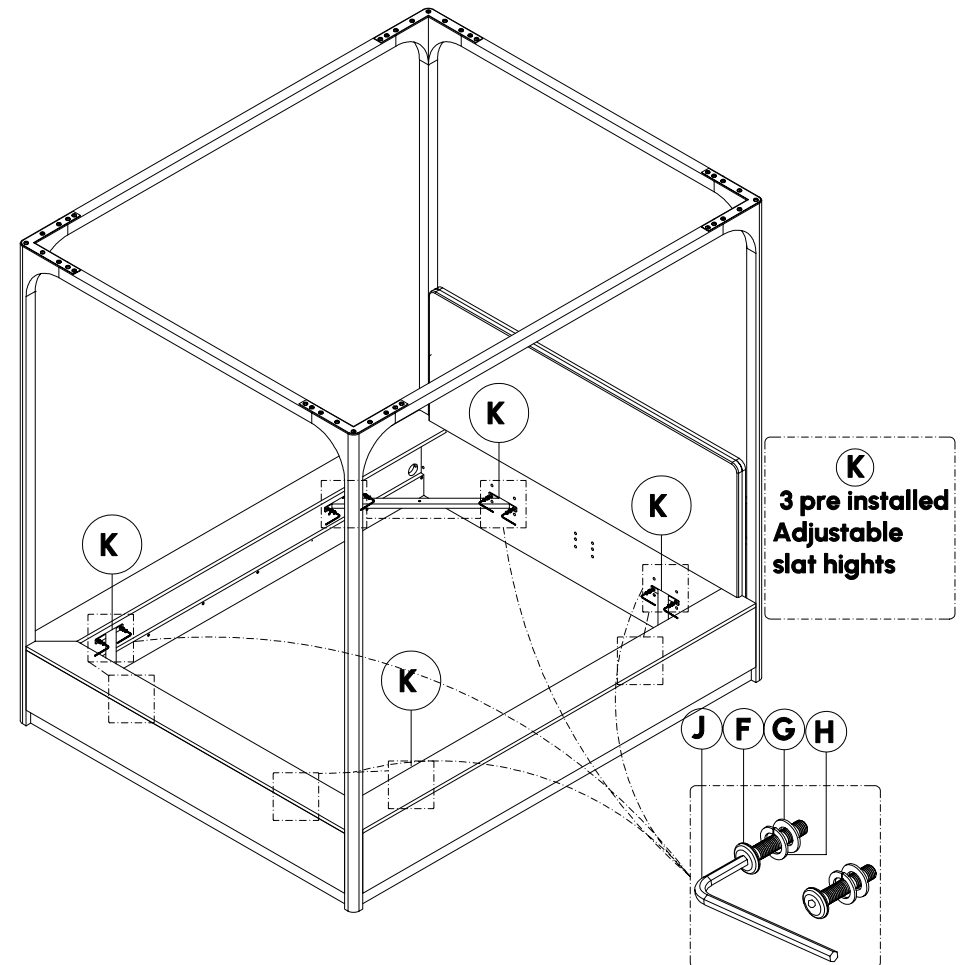
ROVECONCEPTS

NERVA KING BED ASSEMBLY INSTRUCTIONS

STEP 4



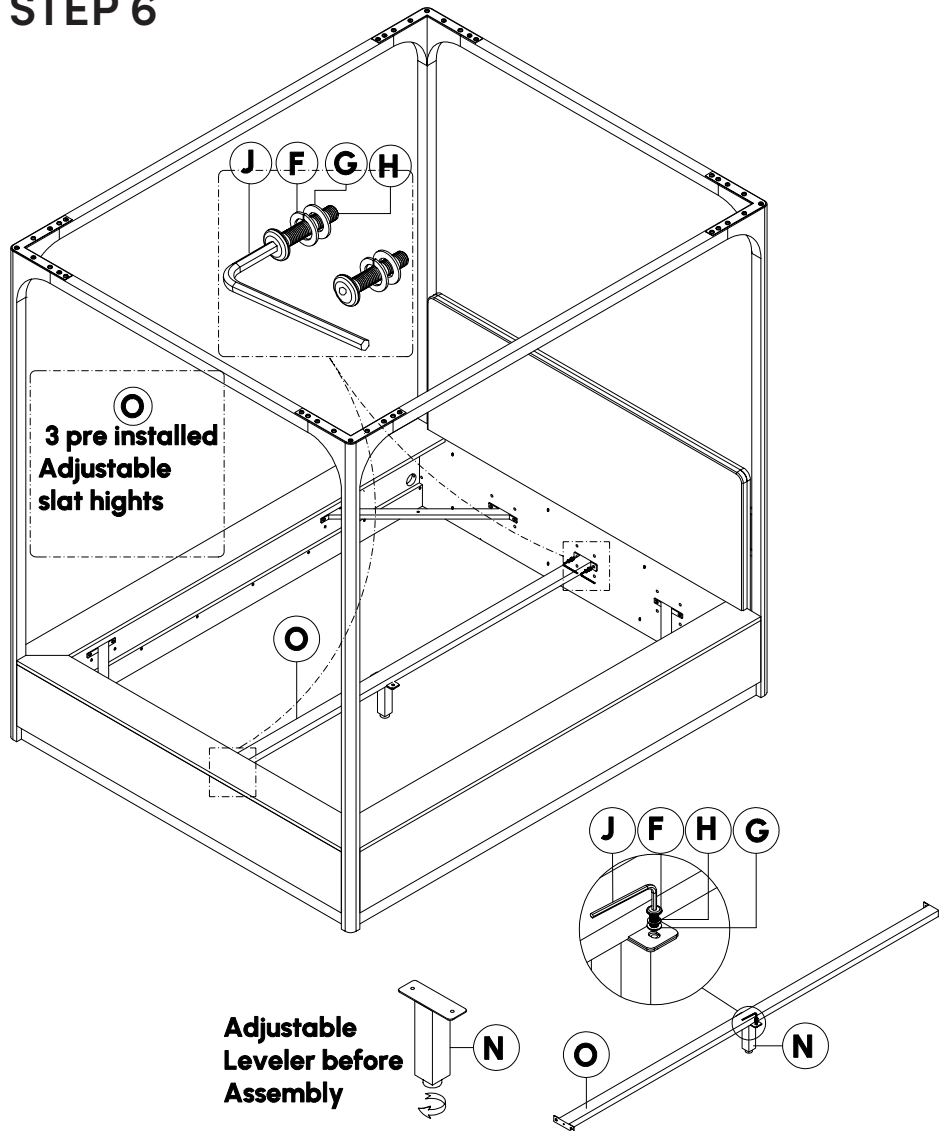
STEP 5



ROVECONCEPTS

NERVA KING BED ASSEMBLY INSTRUCTIONS

STEP 6



STEP 7

