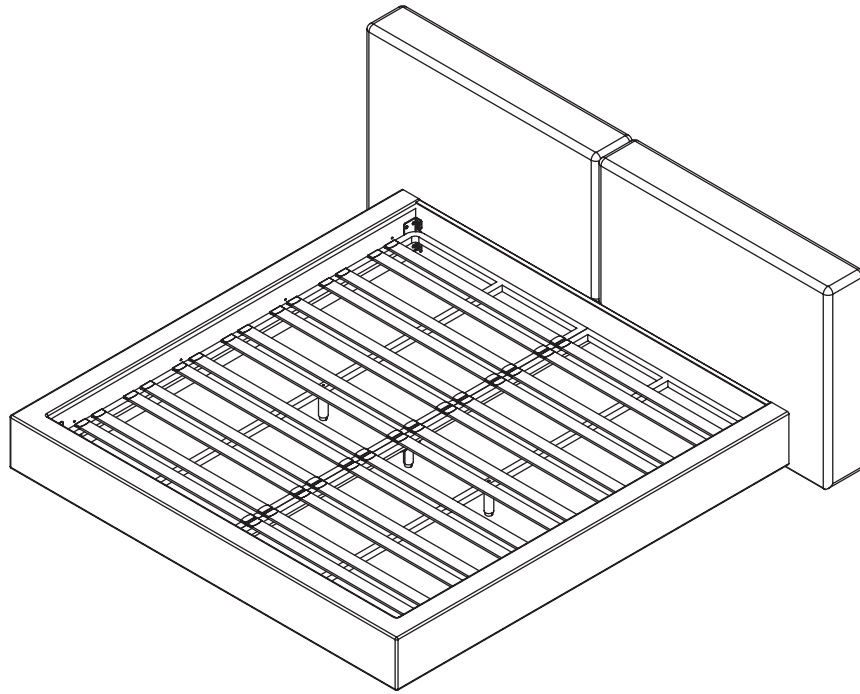


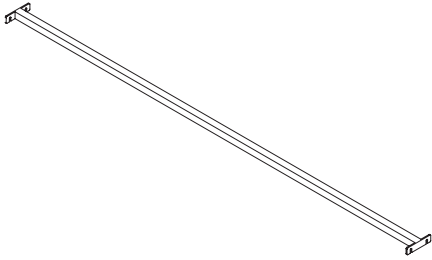


kaye

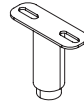


**KAYE BED - KING
ASSEMBLY INSTRUCTIONS**

HARDWARE



A
x1



B
x1



C
x2

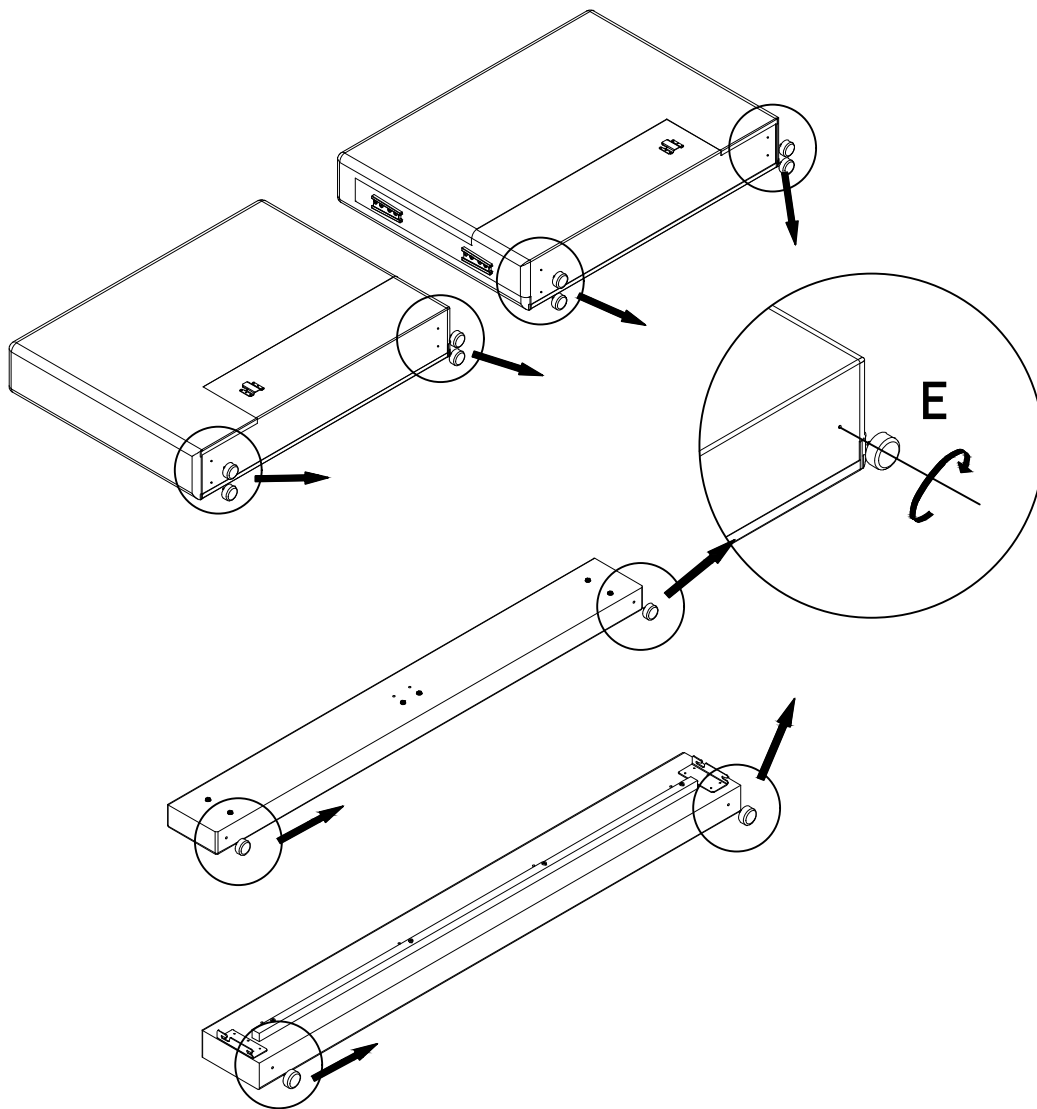


D
x1

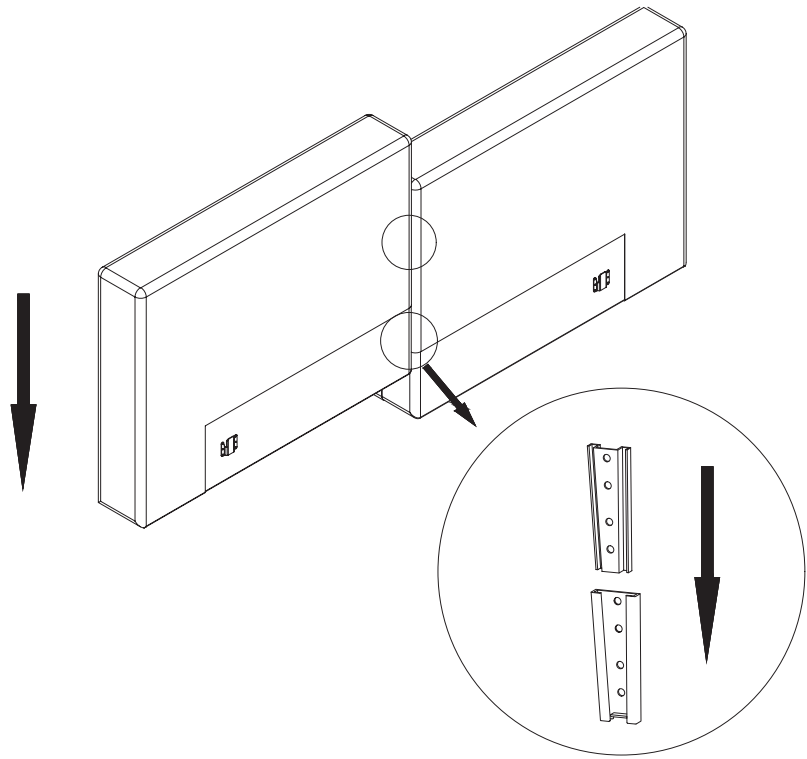


E
x14

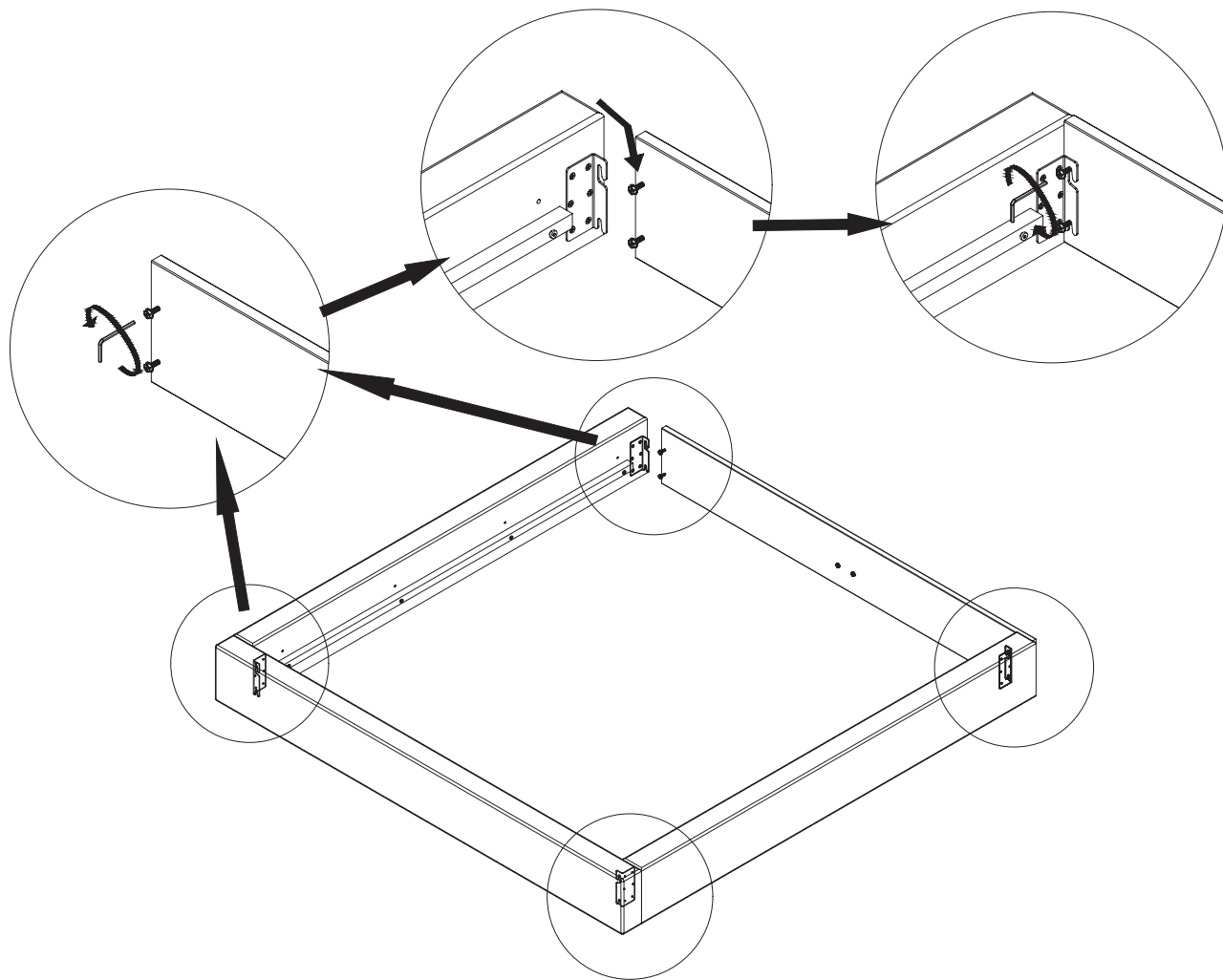
STEP 1



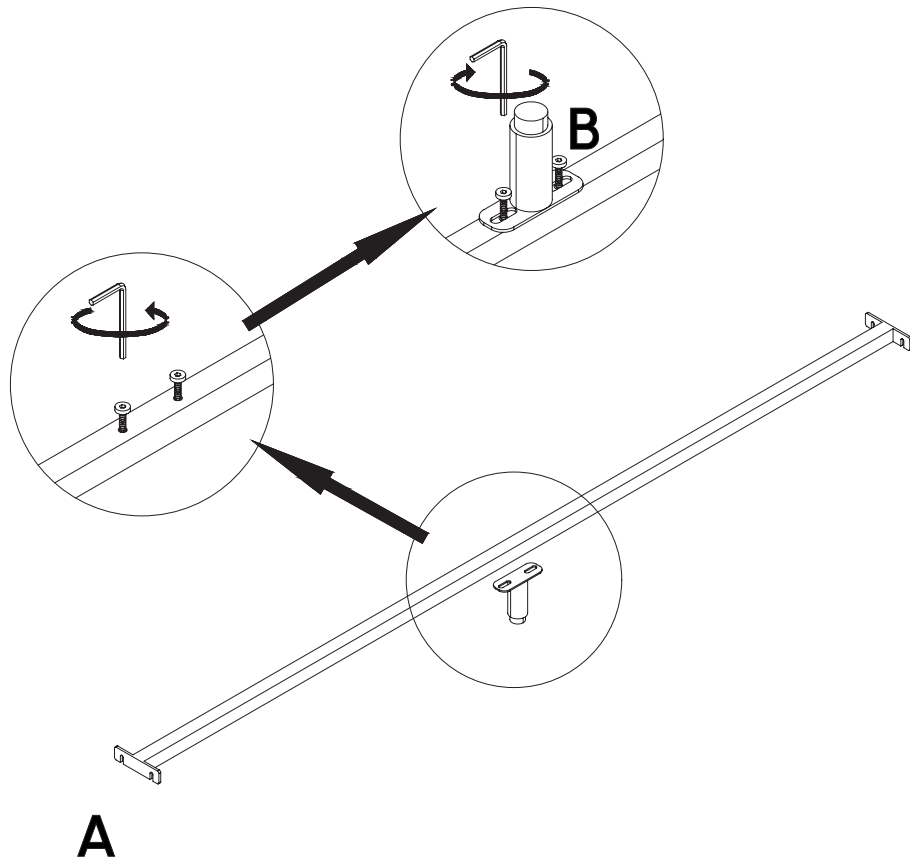
STEP 2



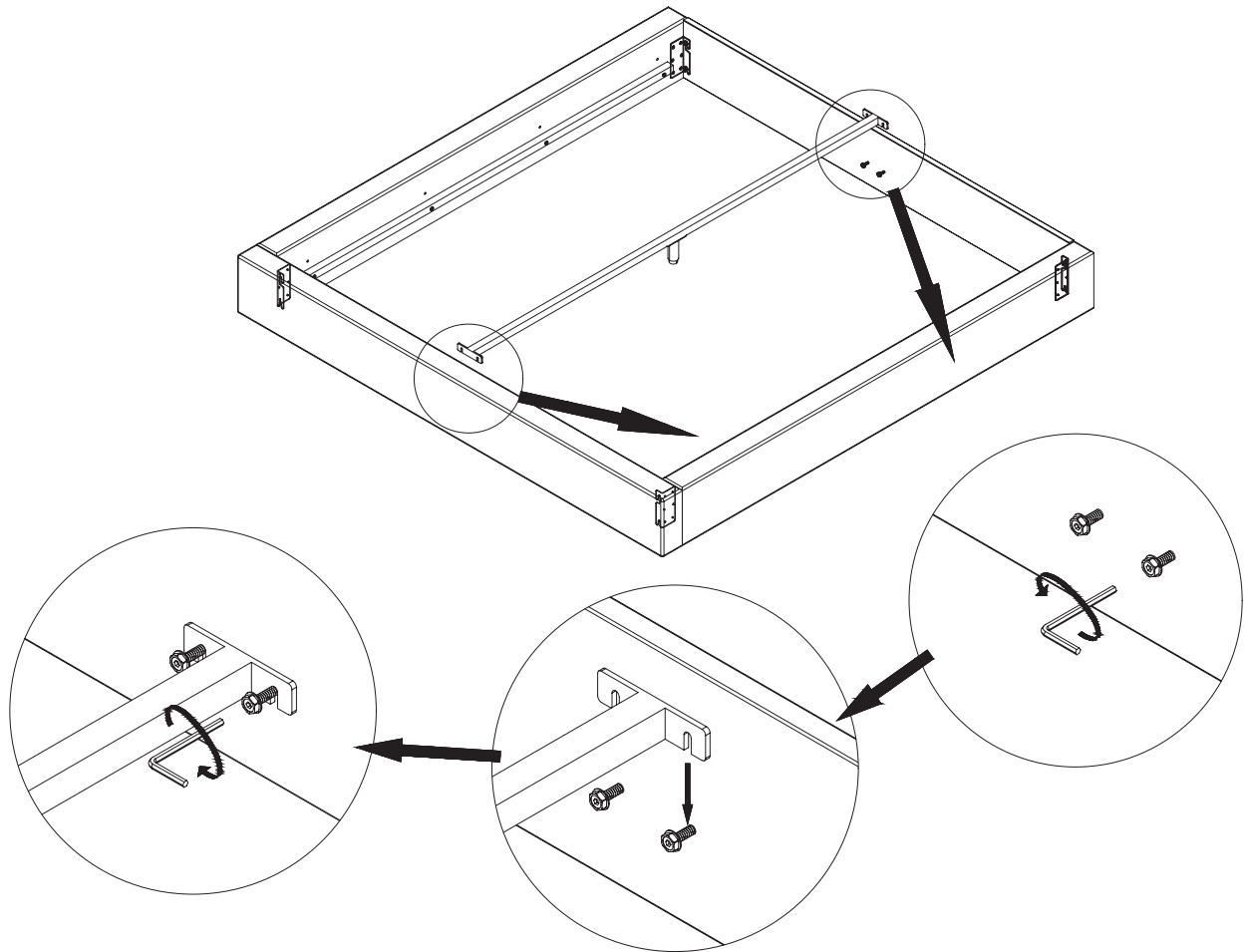
STEP 3



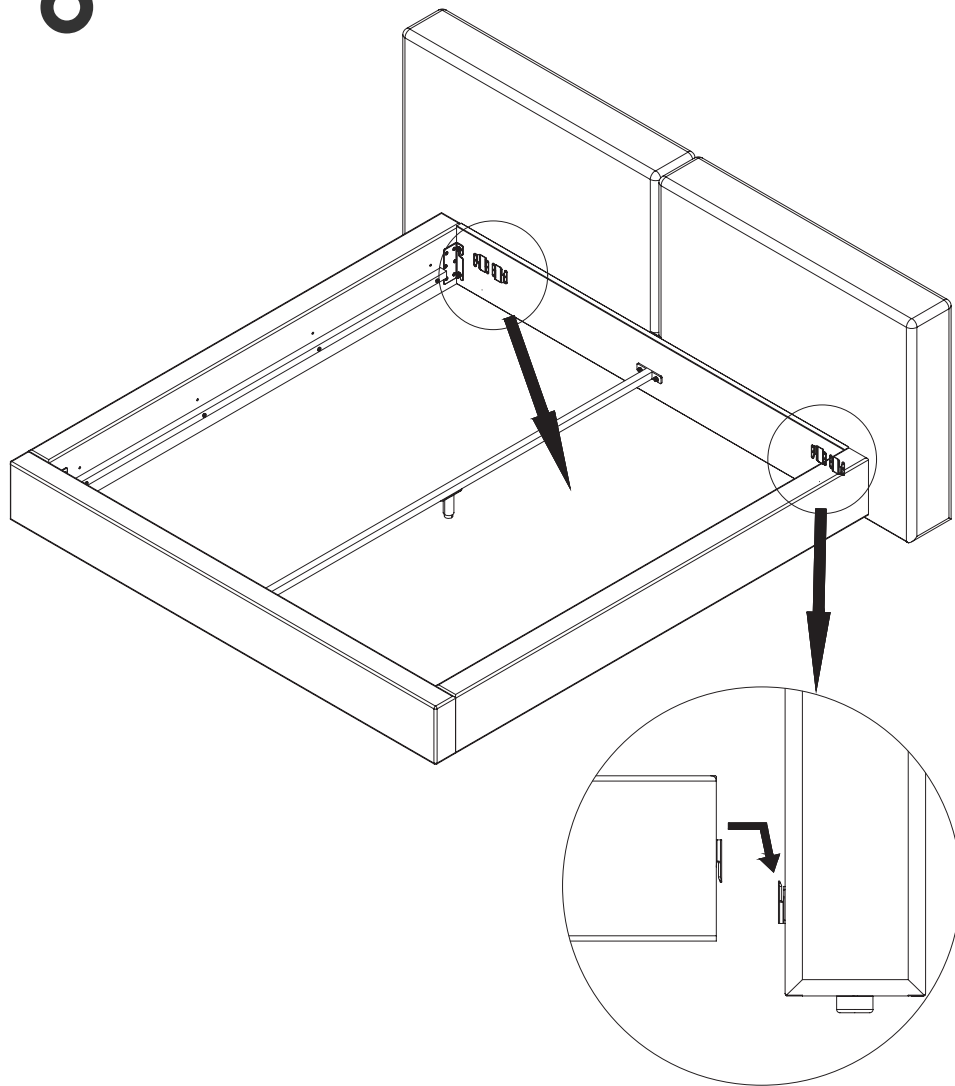
STEP 4



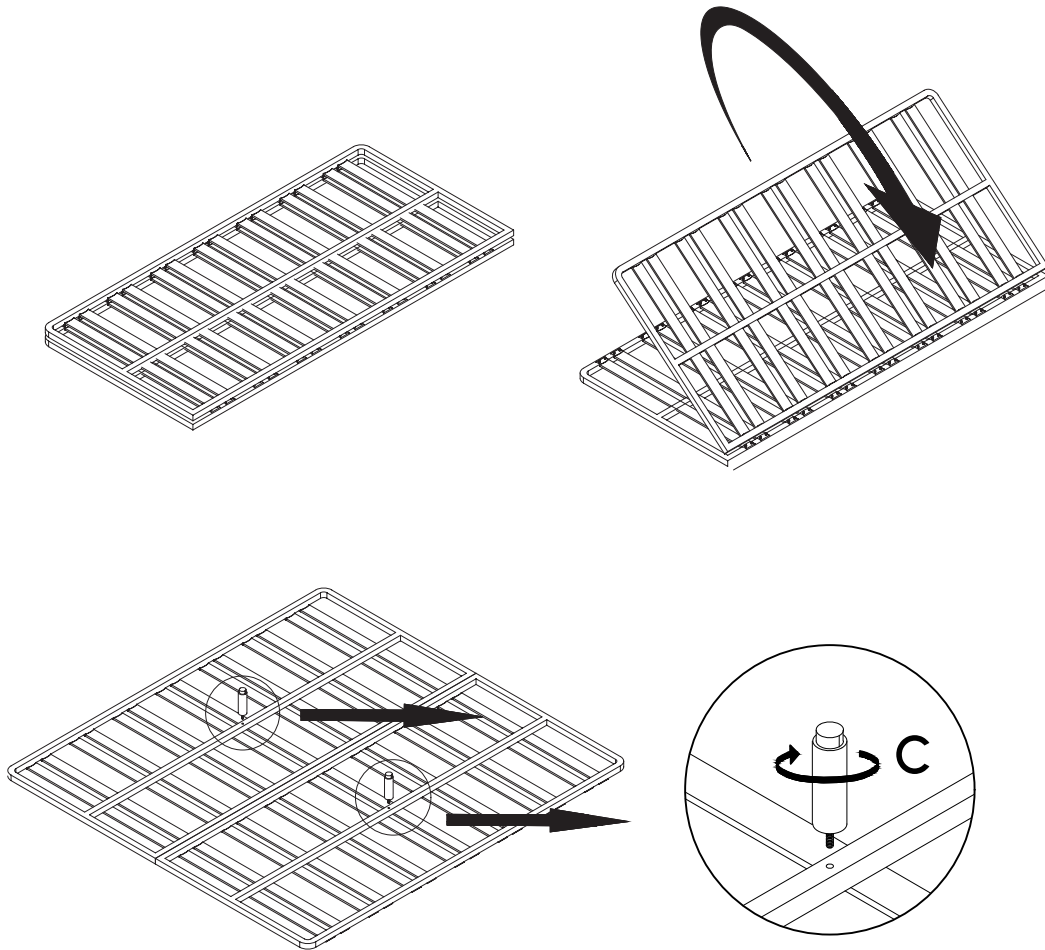
STEP 5



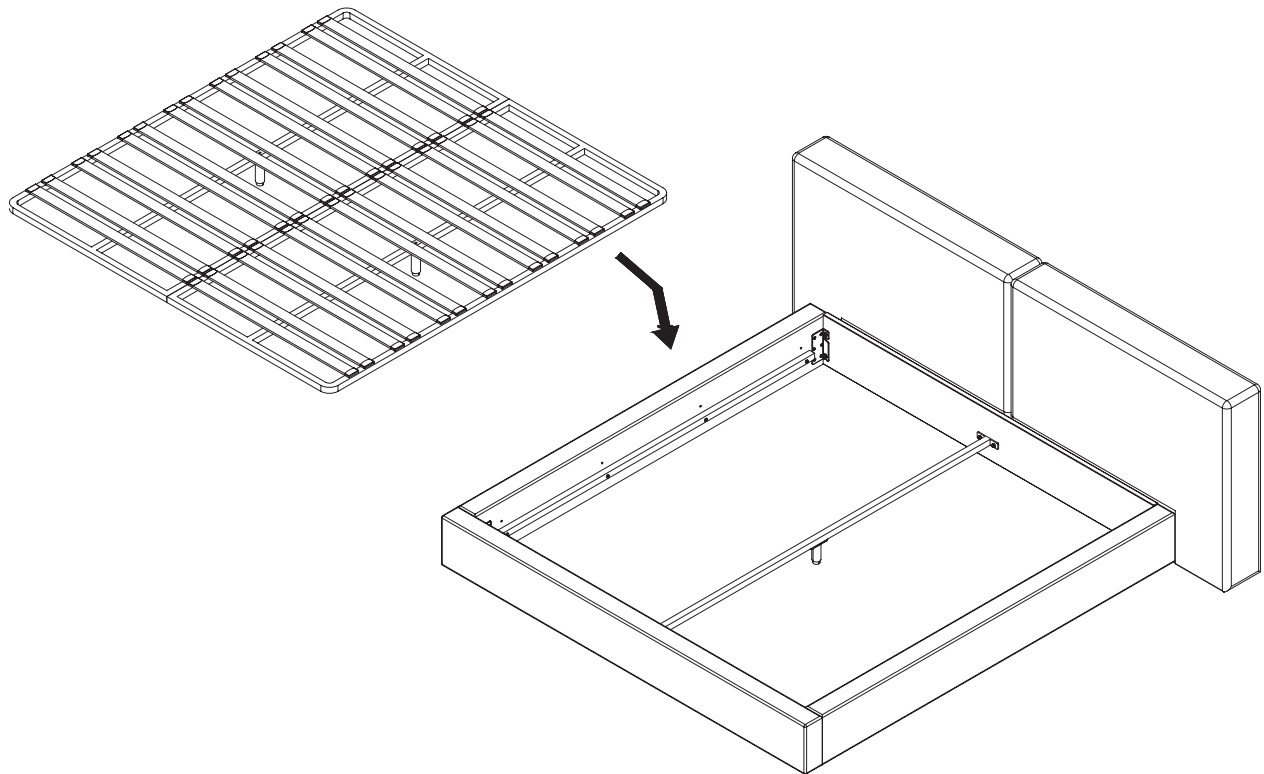
STEP 6



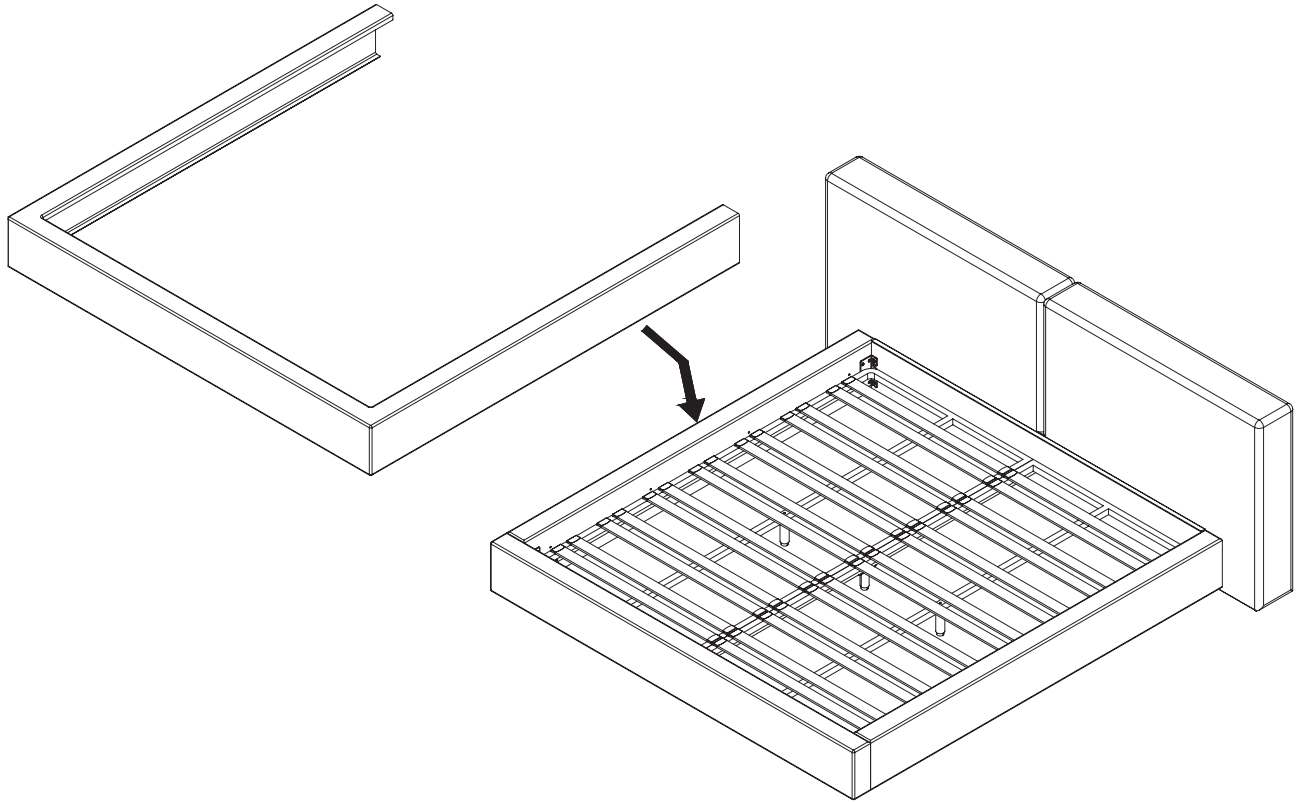
STEP 7



STEP 8



STEP 9



STEP 10

