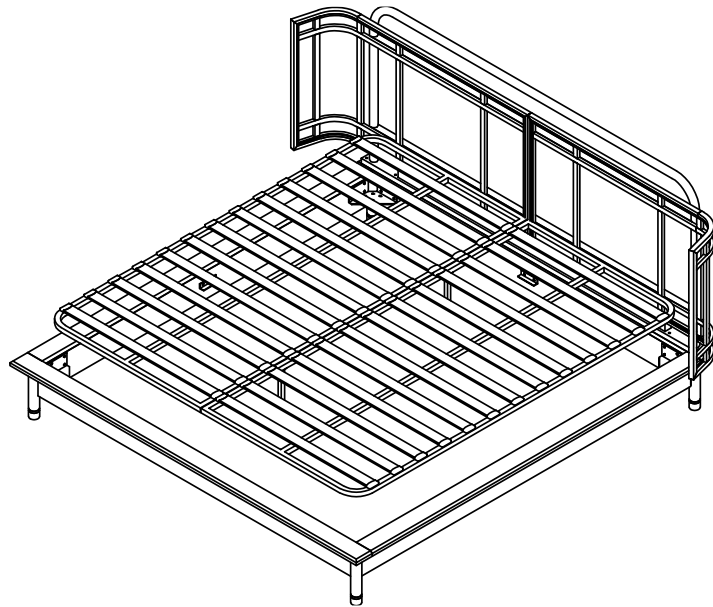


ROVECONCEPTS

Refined Luxury Living

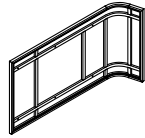


WISHBONE KING BED ASSEMBLY INSTRUCTIONS

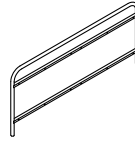
HARDWARE



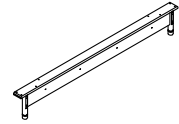
A
x1



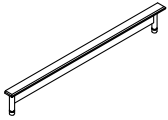
B
x1



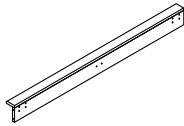
C
x1



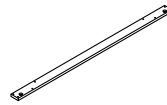
D
x1



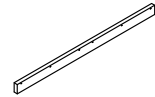
E
x1



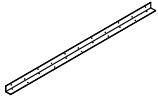
F
x2



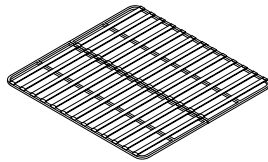
G
x1



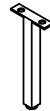
H
x1



I
x1



J
x1



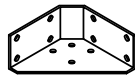
K
x2



L
x4



M
x3



N
x4

HARDWARE



1

x44
Ø1/4" x 19/32"



2

x40
Ø1/4" x 3/4"



3

x1
5/32"



4

x8
13/32" *1 3/16"



5

x28
Ø5/16" x 25/32"



6

x22
5/32" *1 3/16"



7

x4
Ø1/4" x 1/2"



8

x9
5/32" *25/32"



9

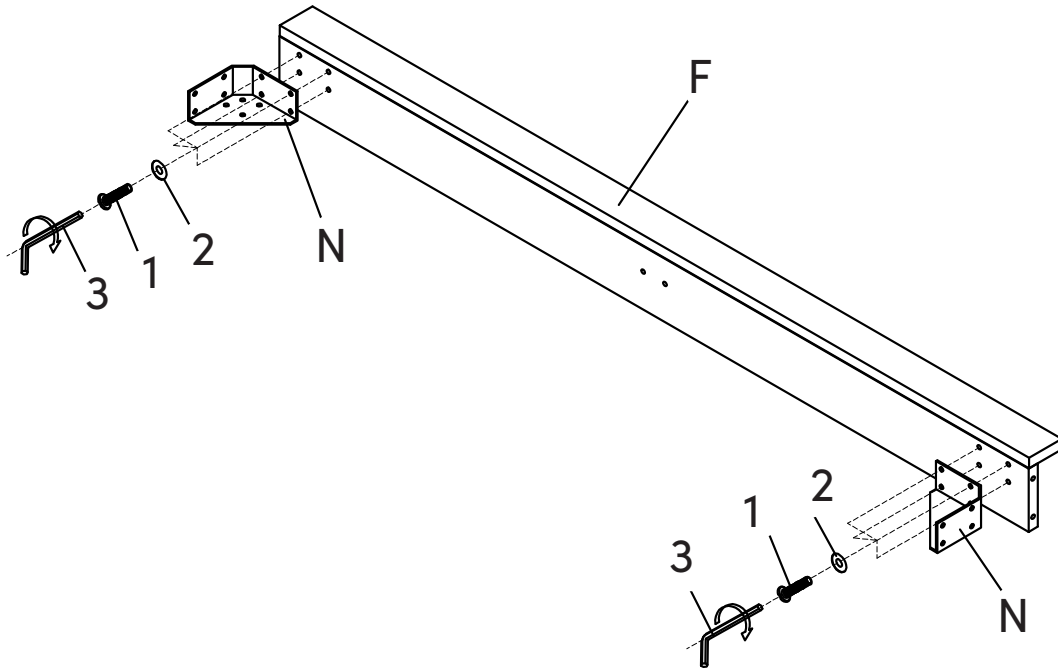
x28
Ø5/16" x 3/4"



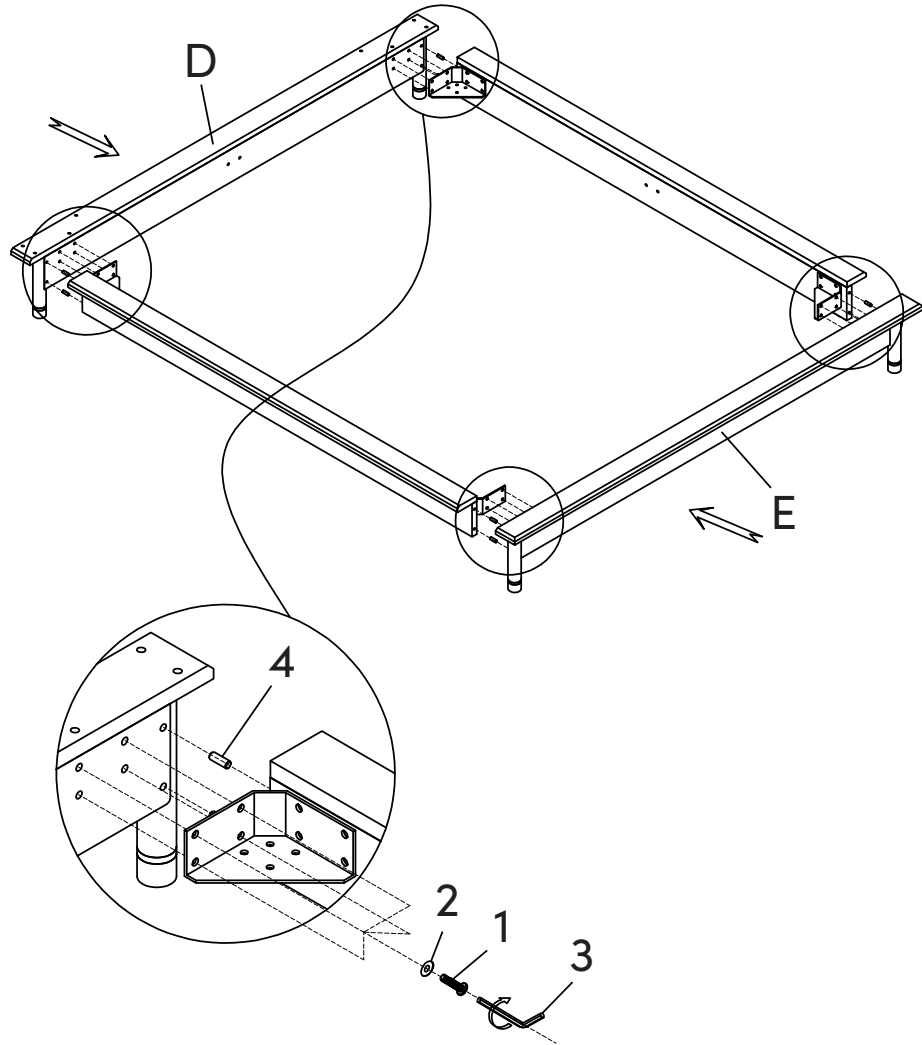
10

x28
Ø5/16" x 3/4"

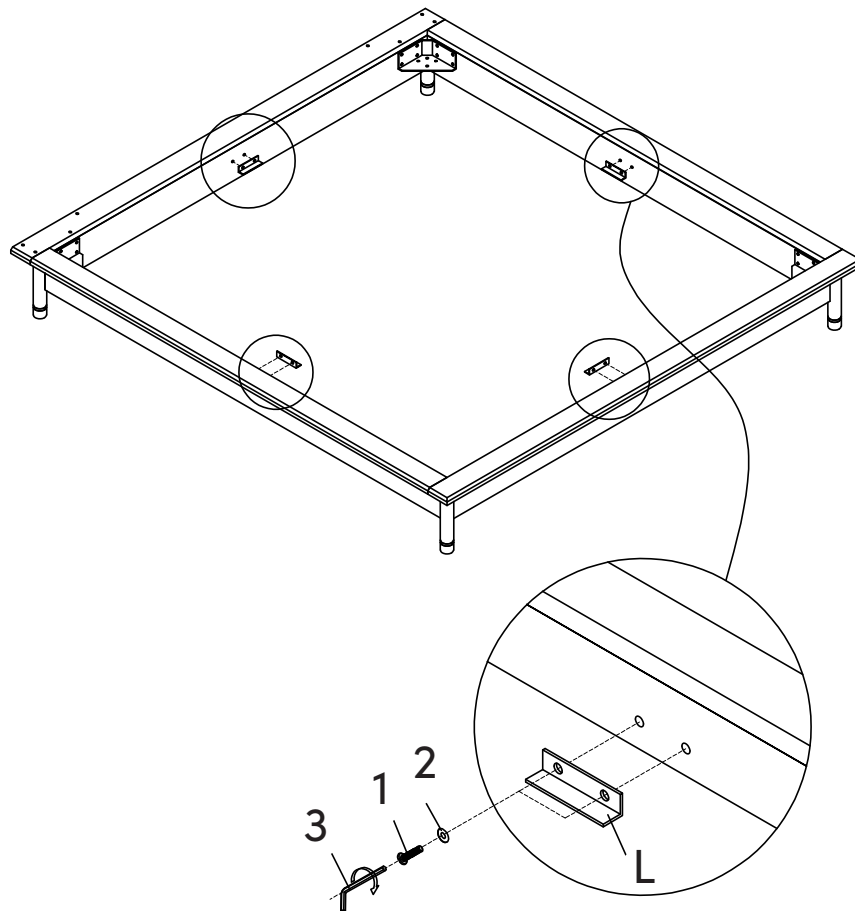
STEP 1



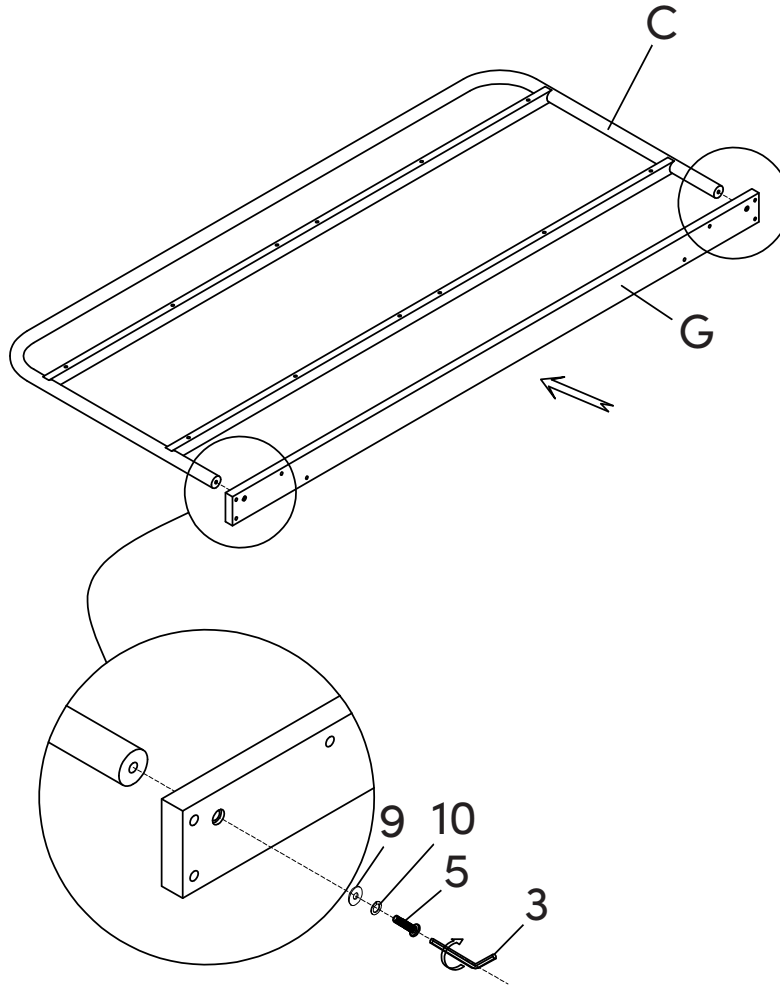
STEP 2



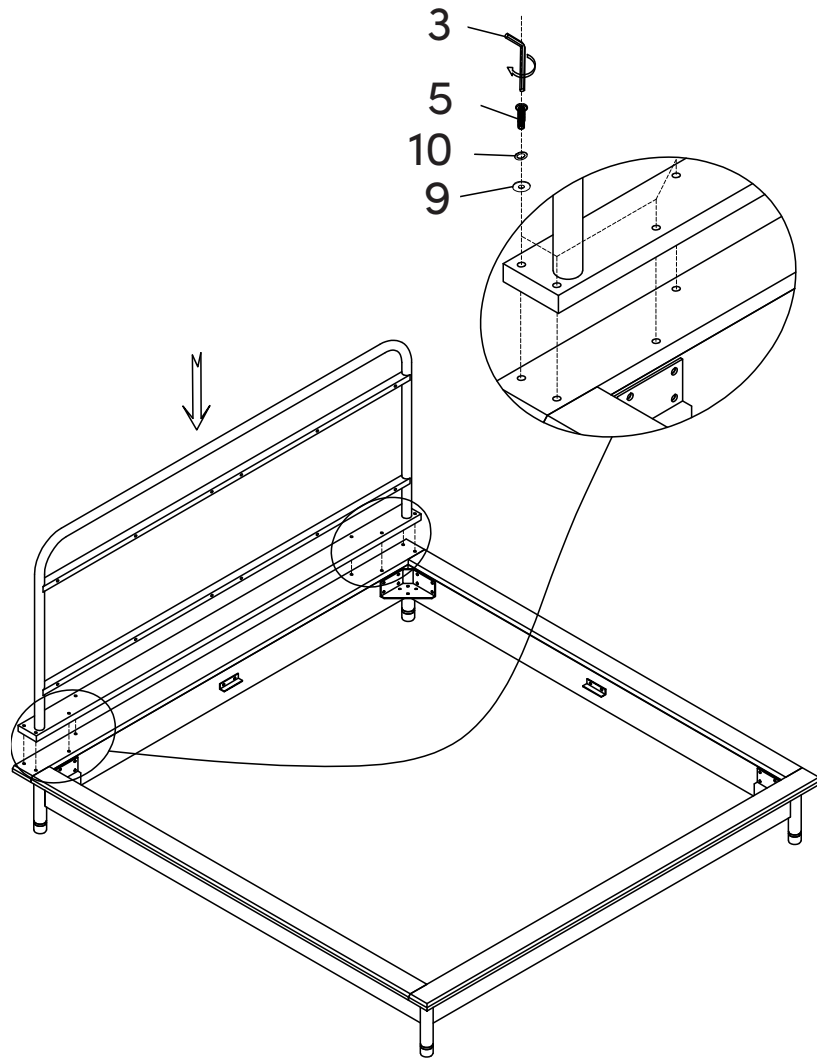
STEP 3



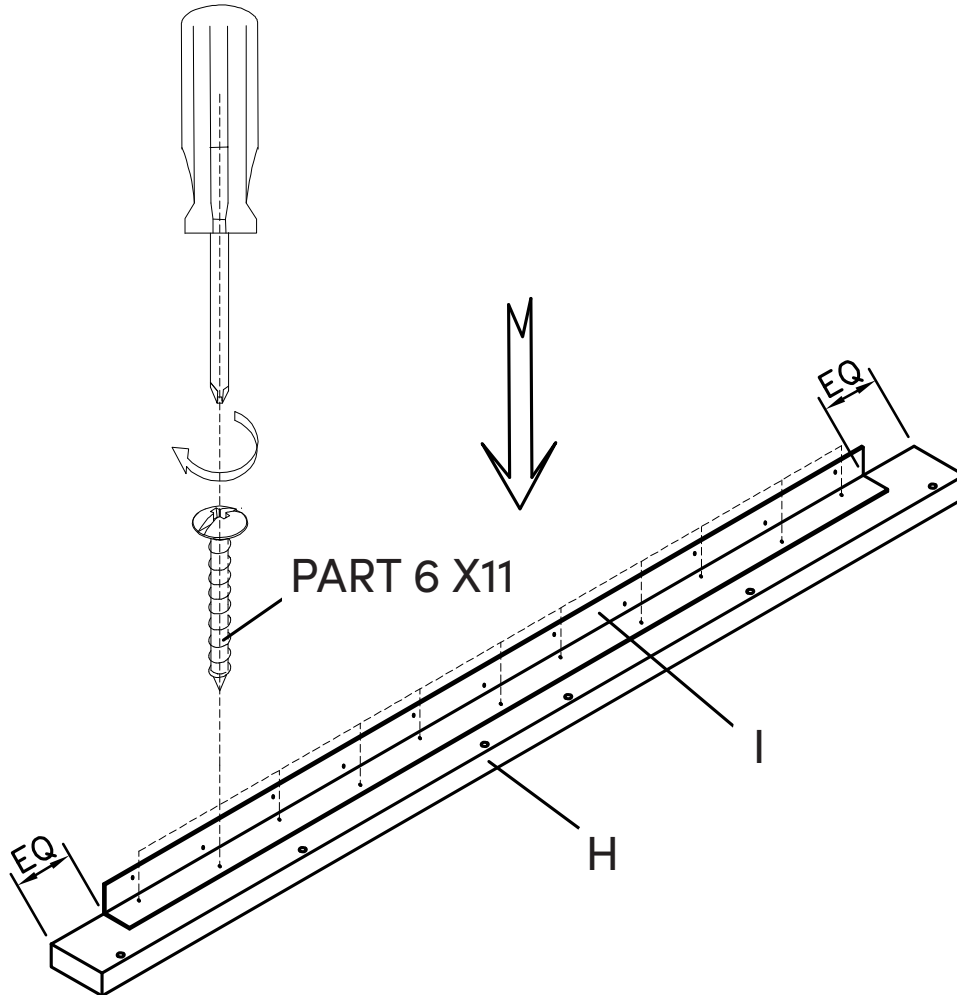
STEP 4



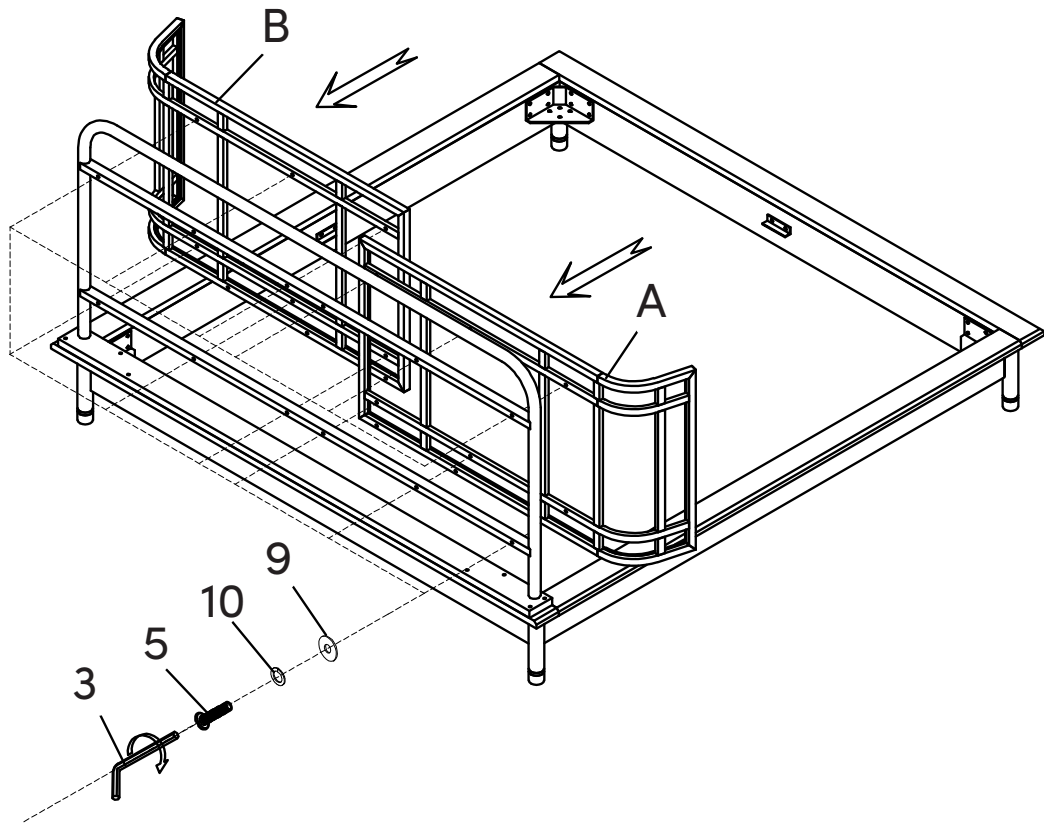
STEP 5



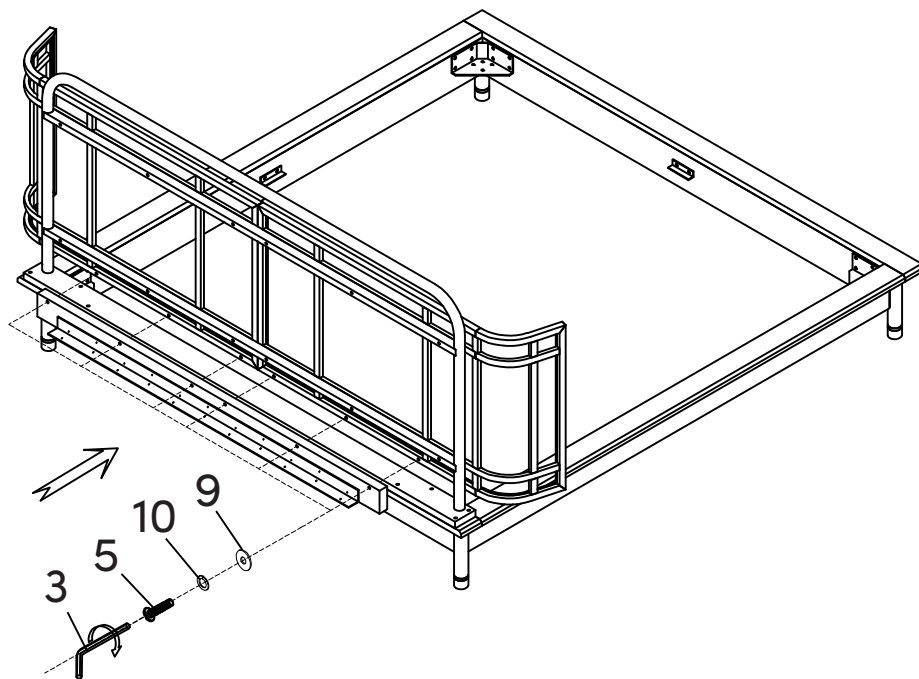
STEP 6



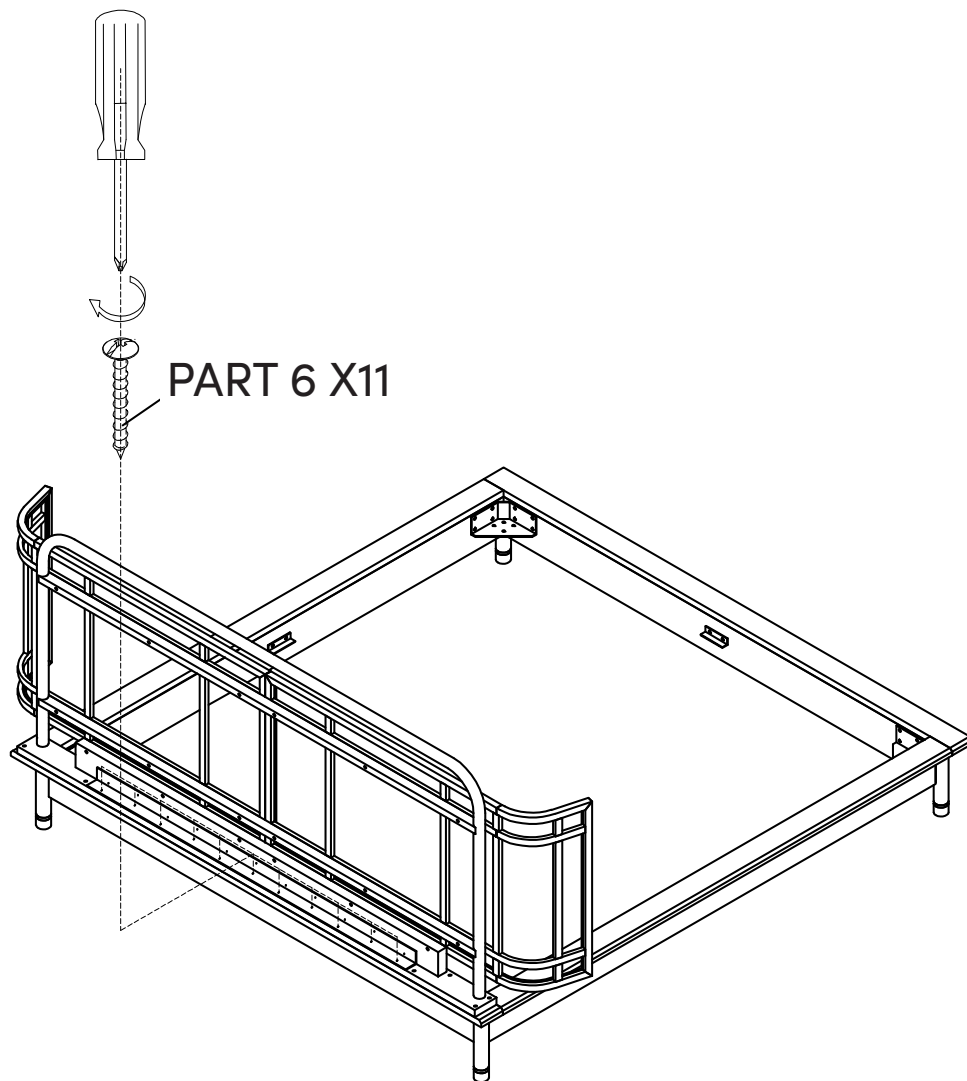
STEP 7



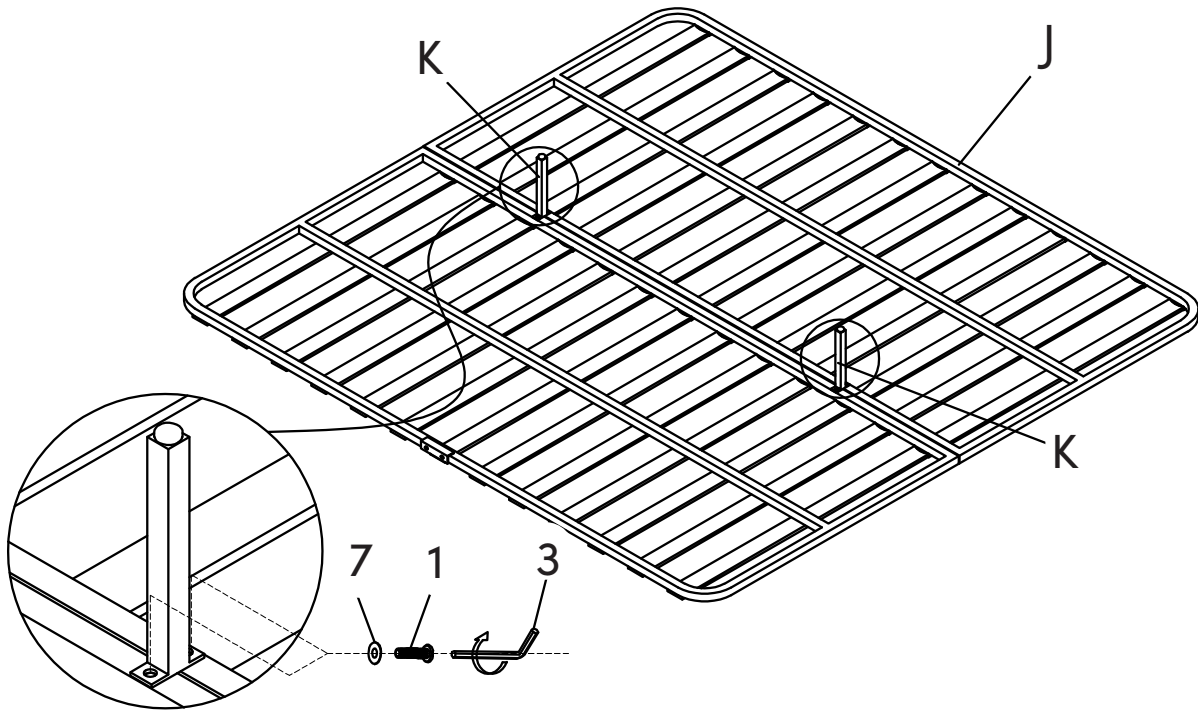
STEP 8



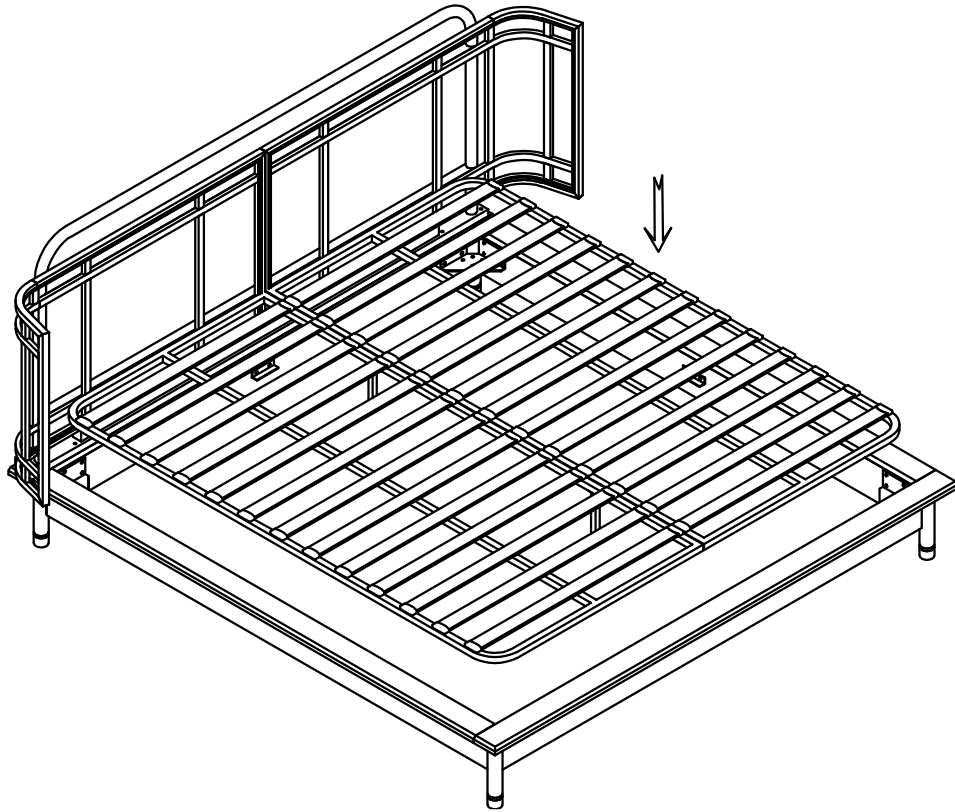
STEP 9



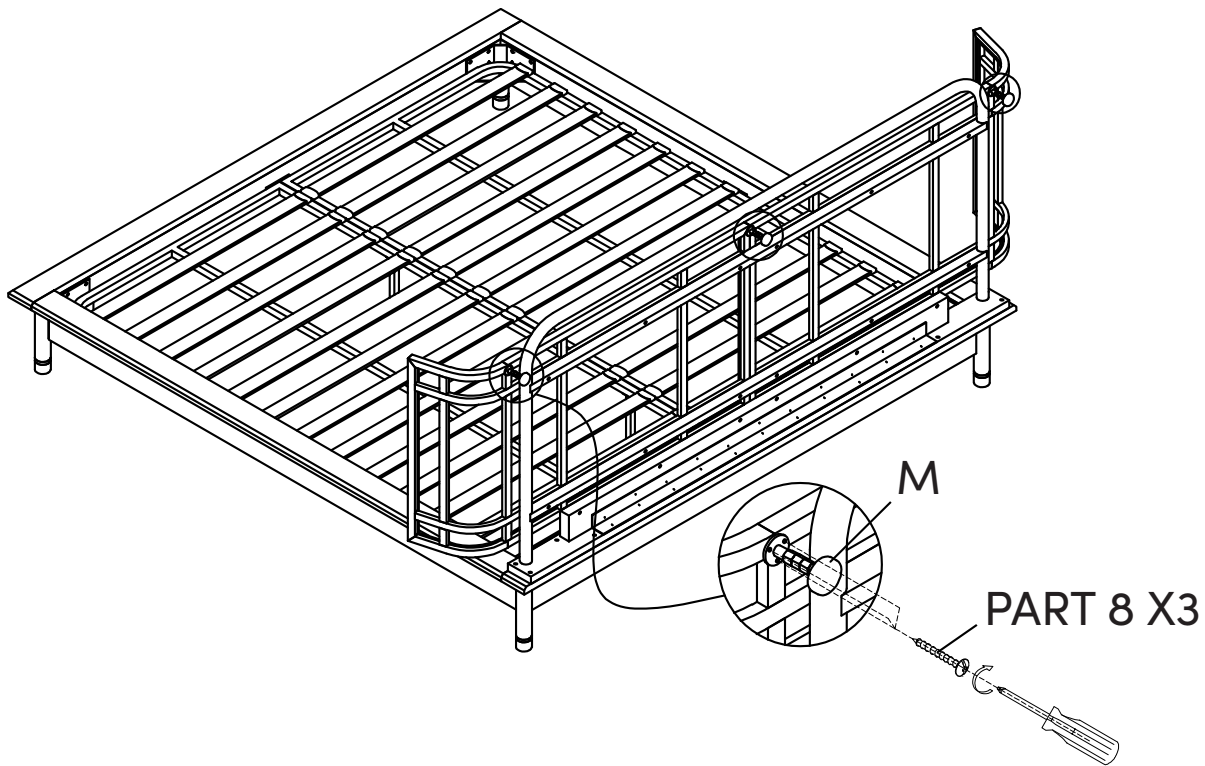
STEP 10



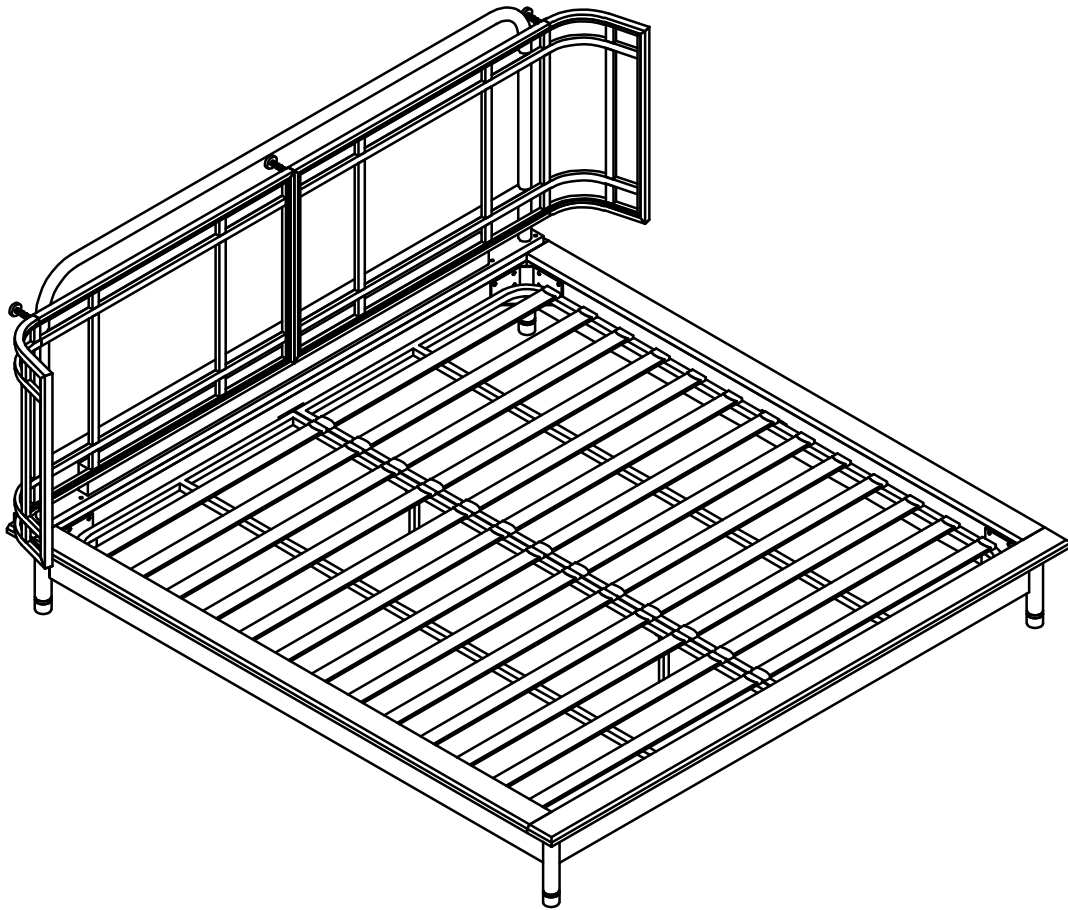
STEP 11



STEP 12

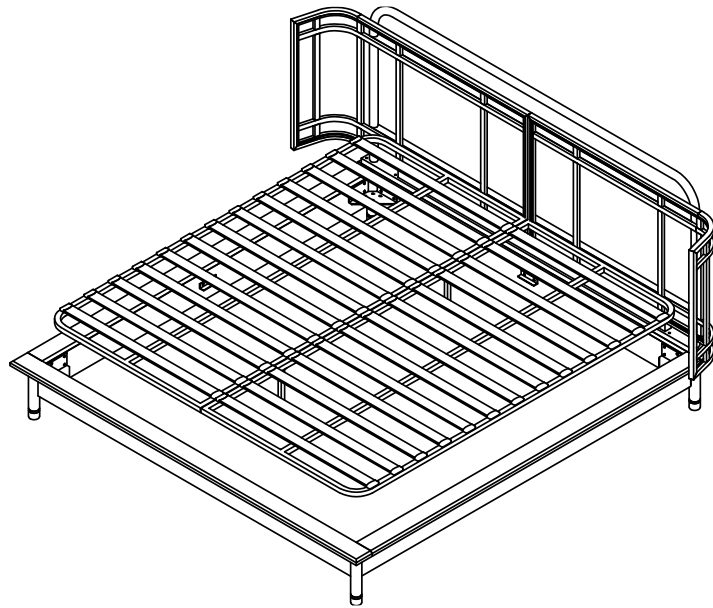


STEP 13



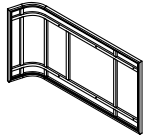
ROVECONCEPTS

Refined Luxury Living

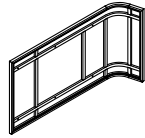


WISHBONE QUEEN BED ASSEMBLY INSTRUCTIONS

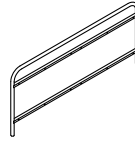
HARDWARE



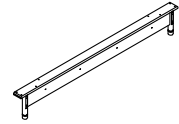
A
x1



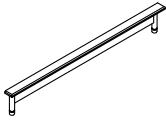
B
x1



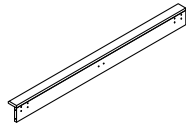
C
x1



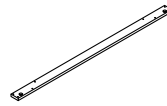
D
x1



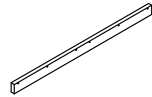
E
x1



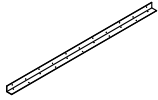
F
x2



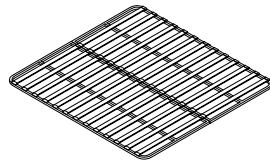
G
x1



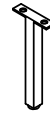
H
x1



I
x1



J
x1



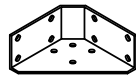
K
x2



L
x4



M
x3



N
x4

HARDWARE



1

x44

Ø1/4" x 19/32"



2

x40

Ø1/4" x 3/4"



3

x1

5/32"



4

x8

13/32" *1 3/16"



5

x26

Ø5/16" x 25/32"



6

x18

5/32" *1 3/16"



7

x4

Ø1/4" x 1/2"



8

x9

5/32" *25/32"



9

x26

Ø5/16" x 3/4"

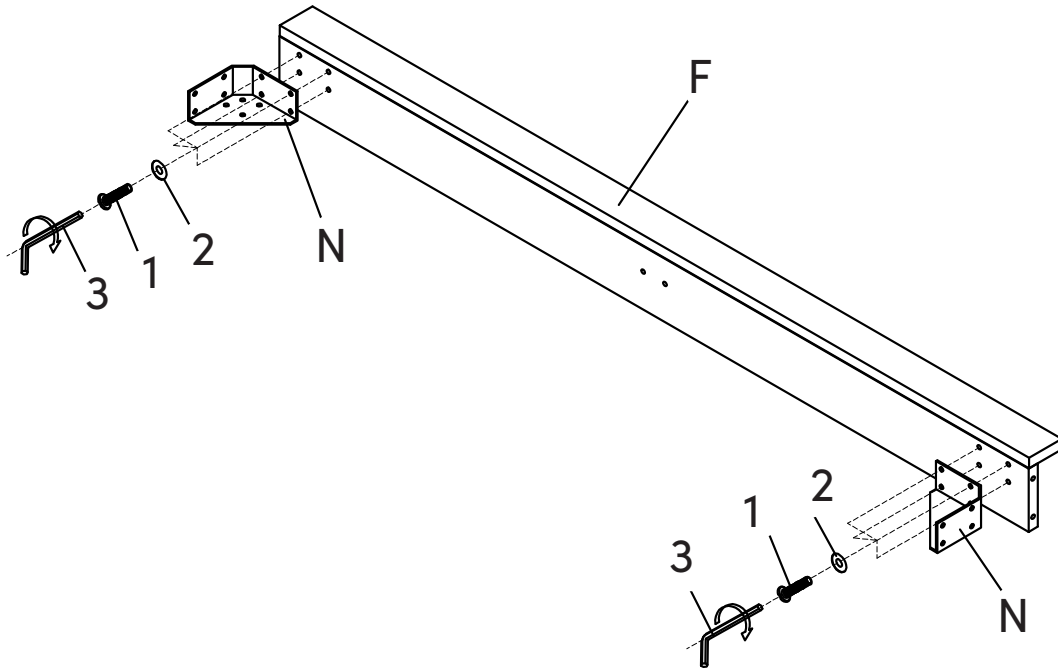


10

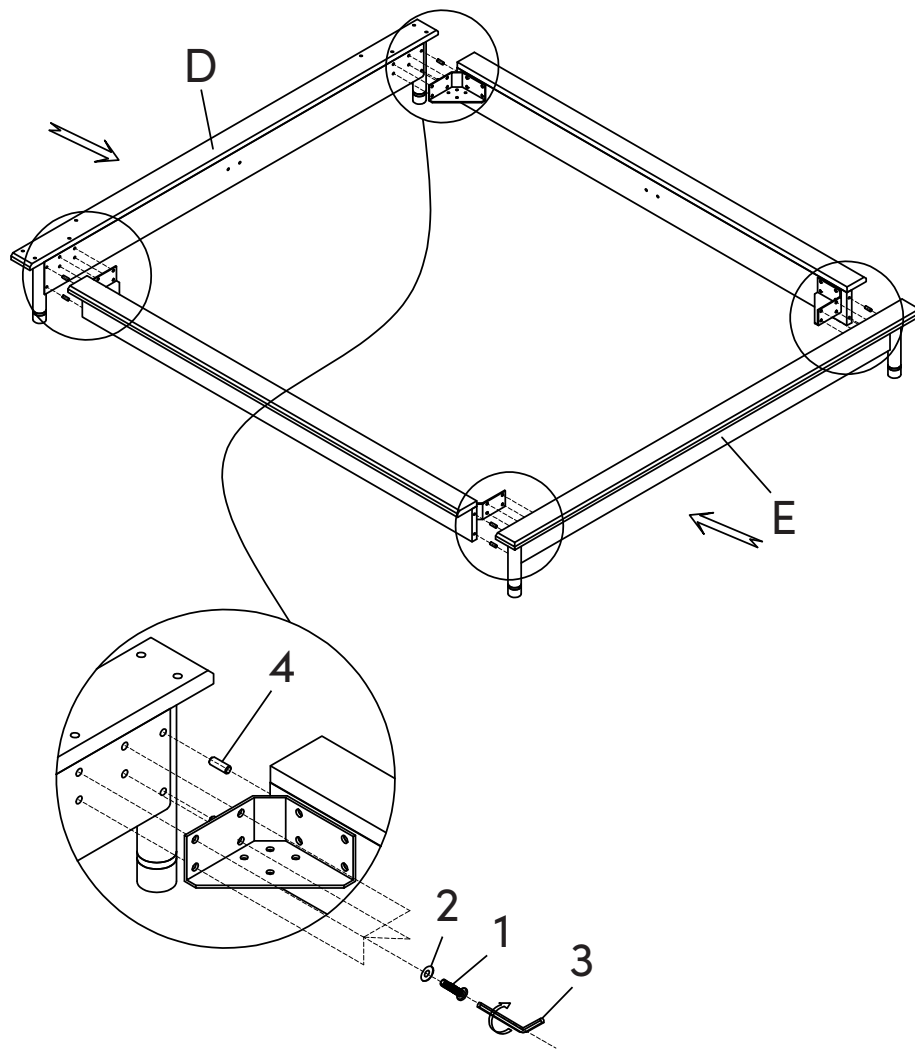
x26

Ø5/16" x 3/4"

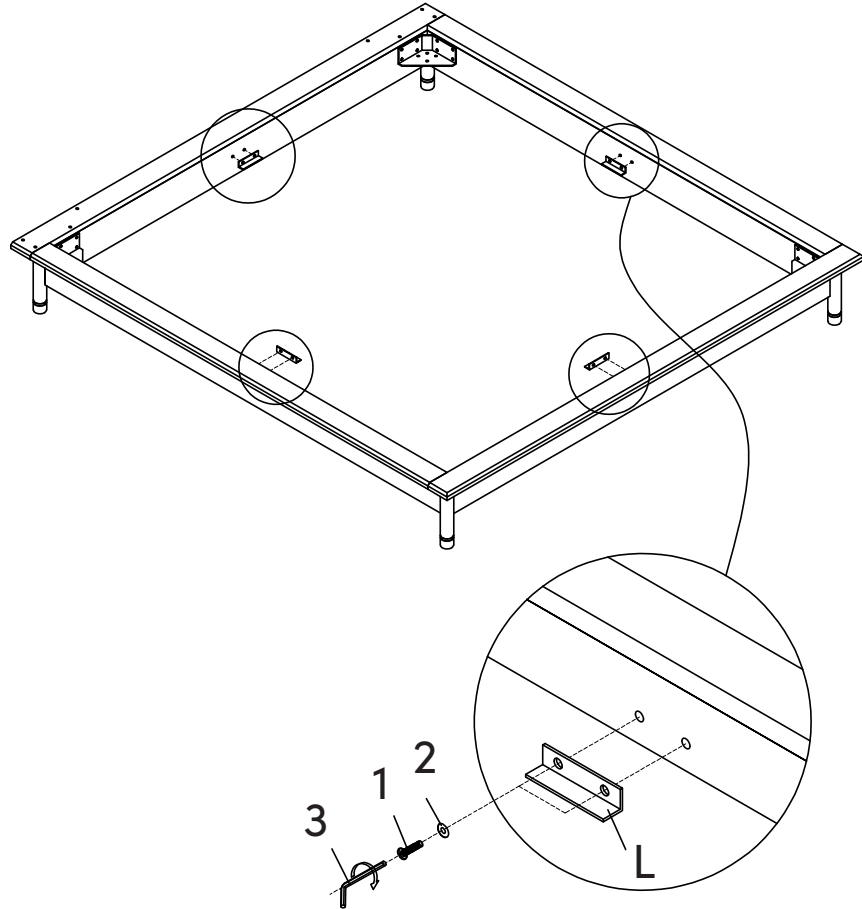
STEP 1



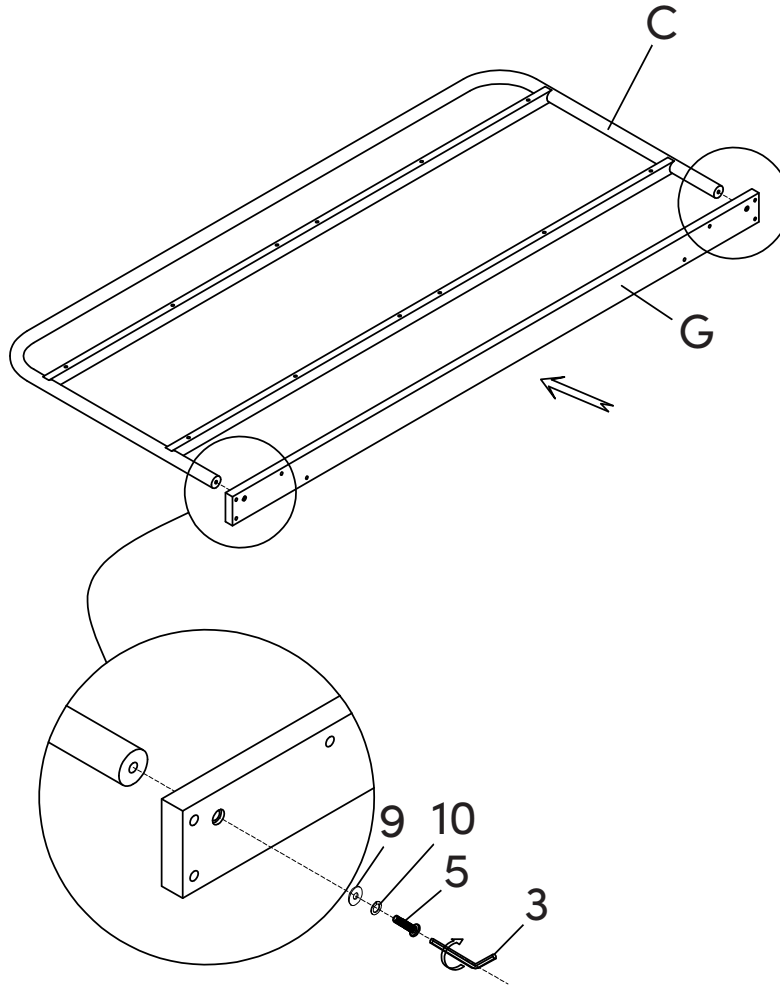
STEP 2



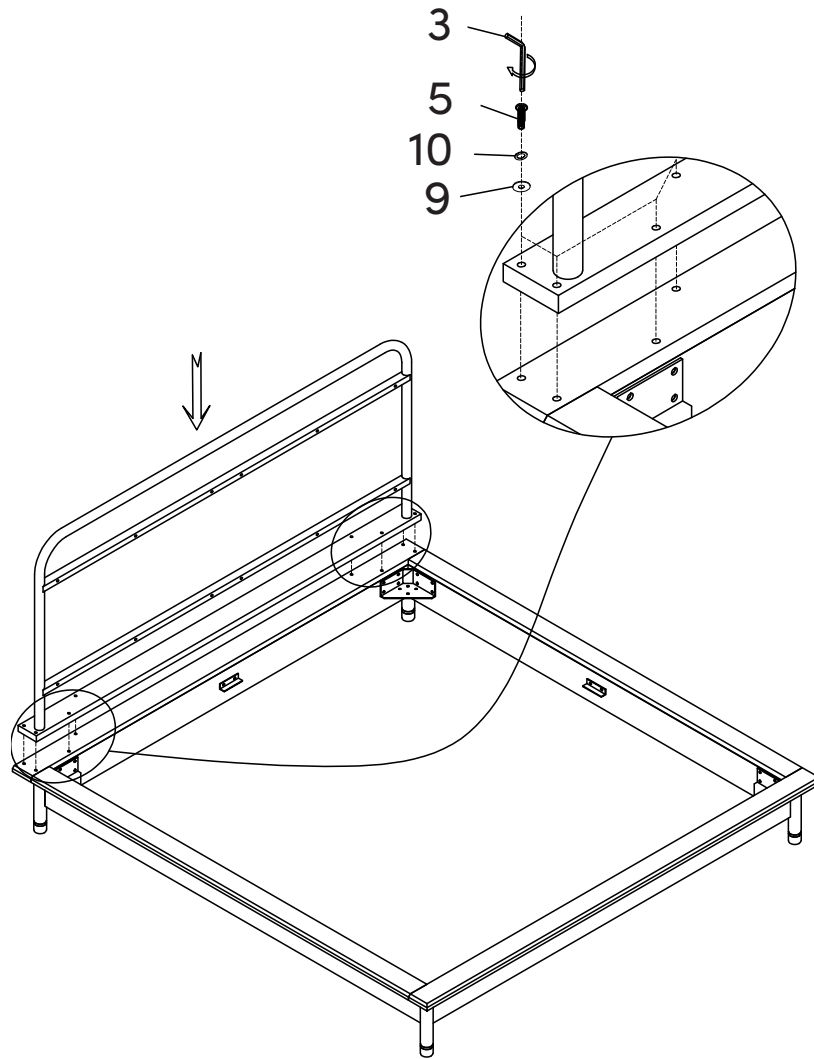
STEP 3



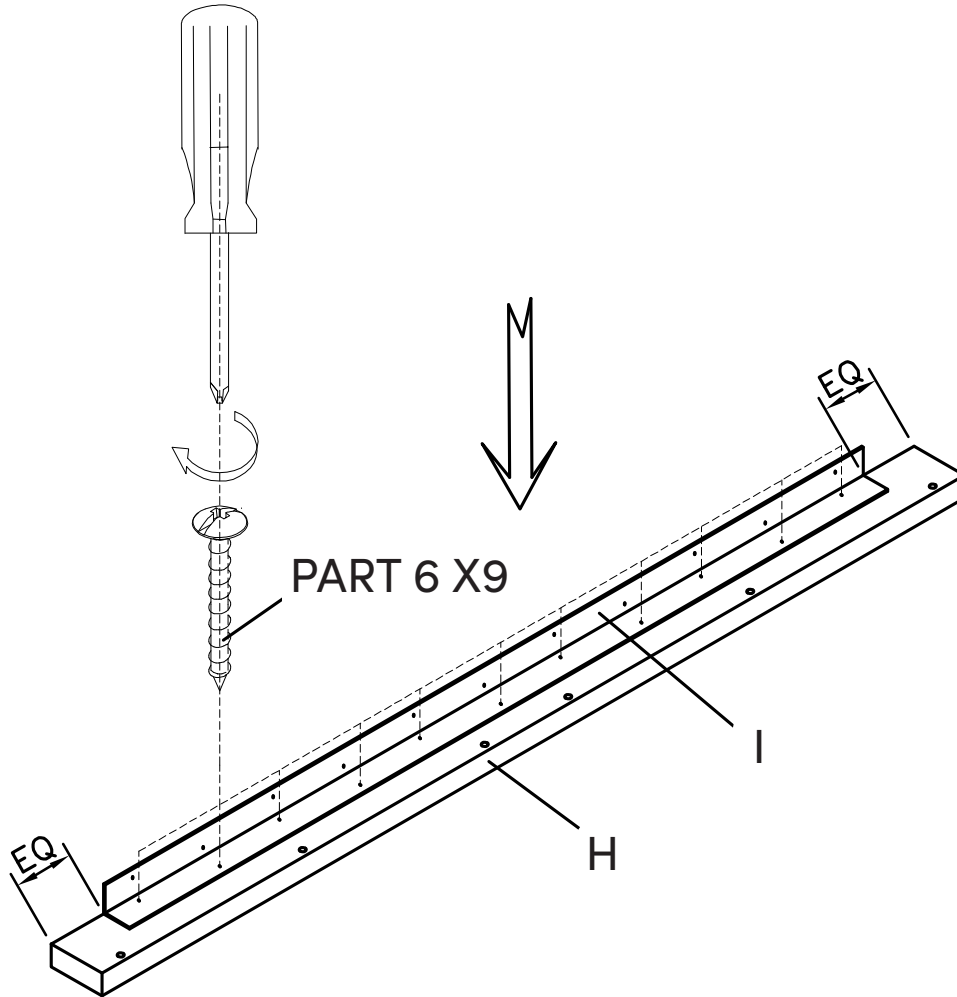
STEP 4



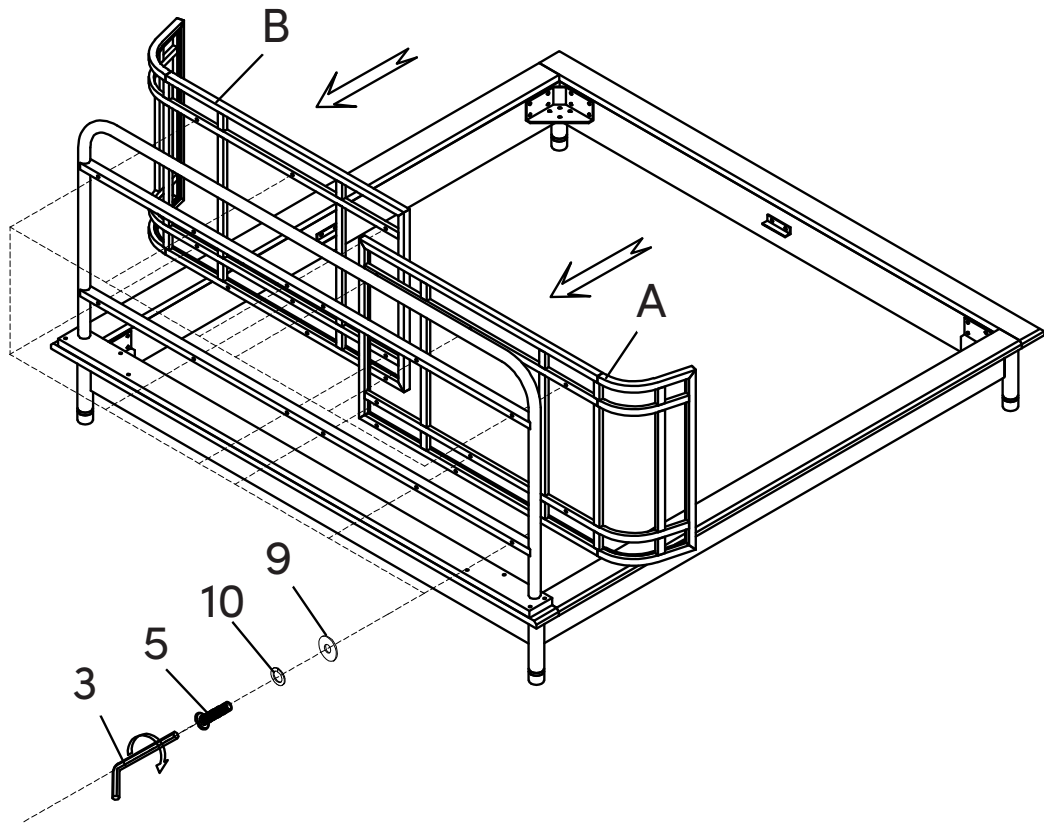
STEP 5



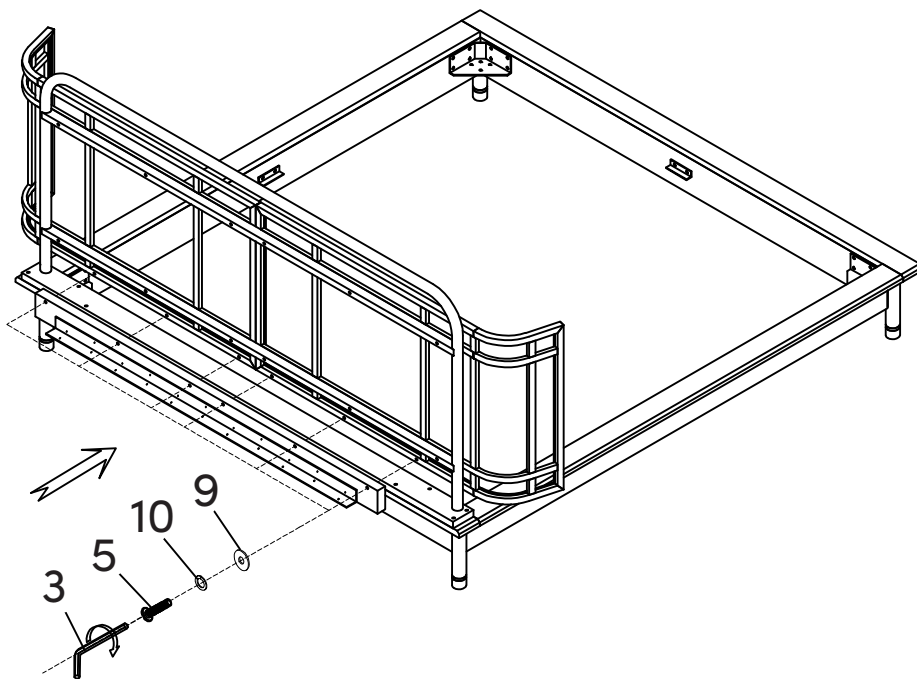
STEP 6



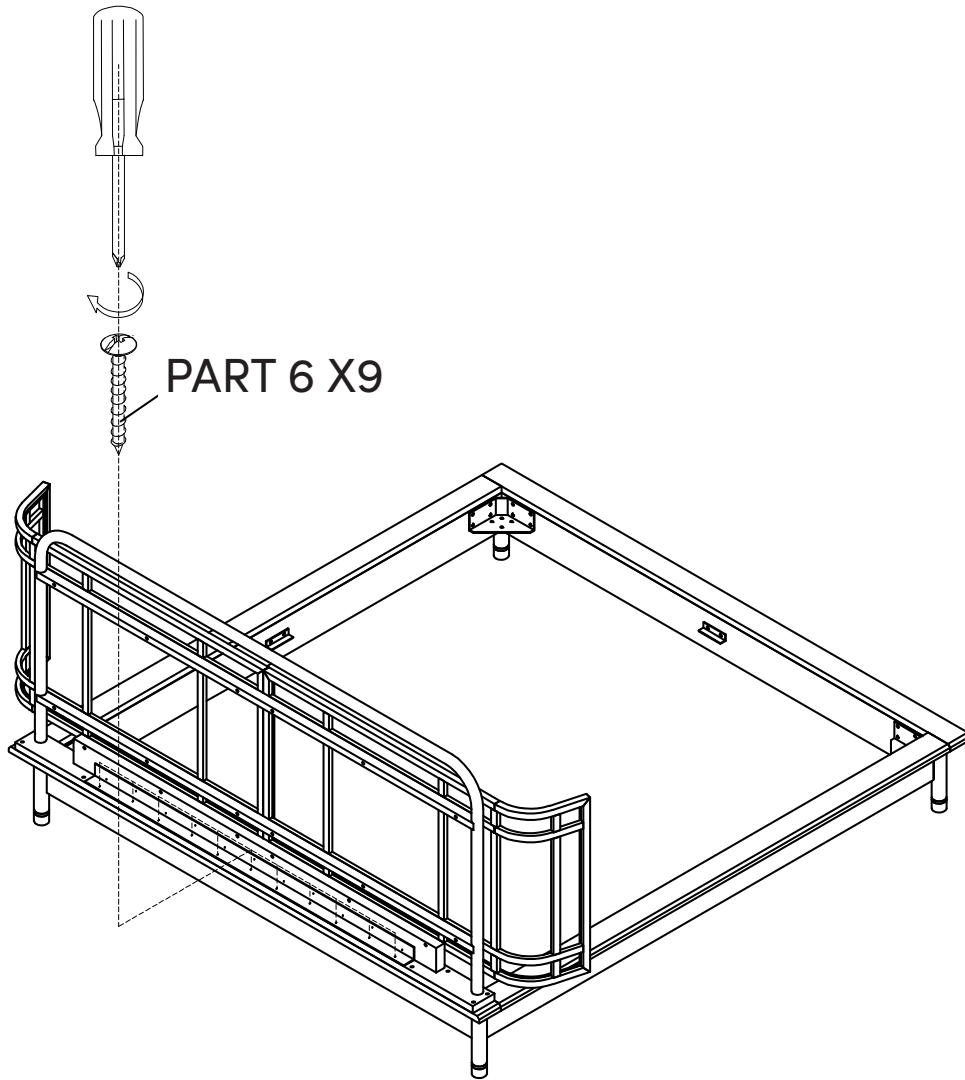
STEP 7



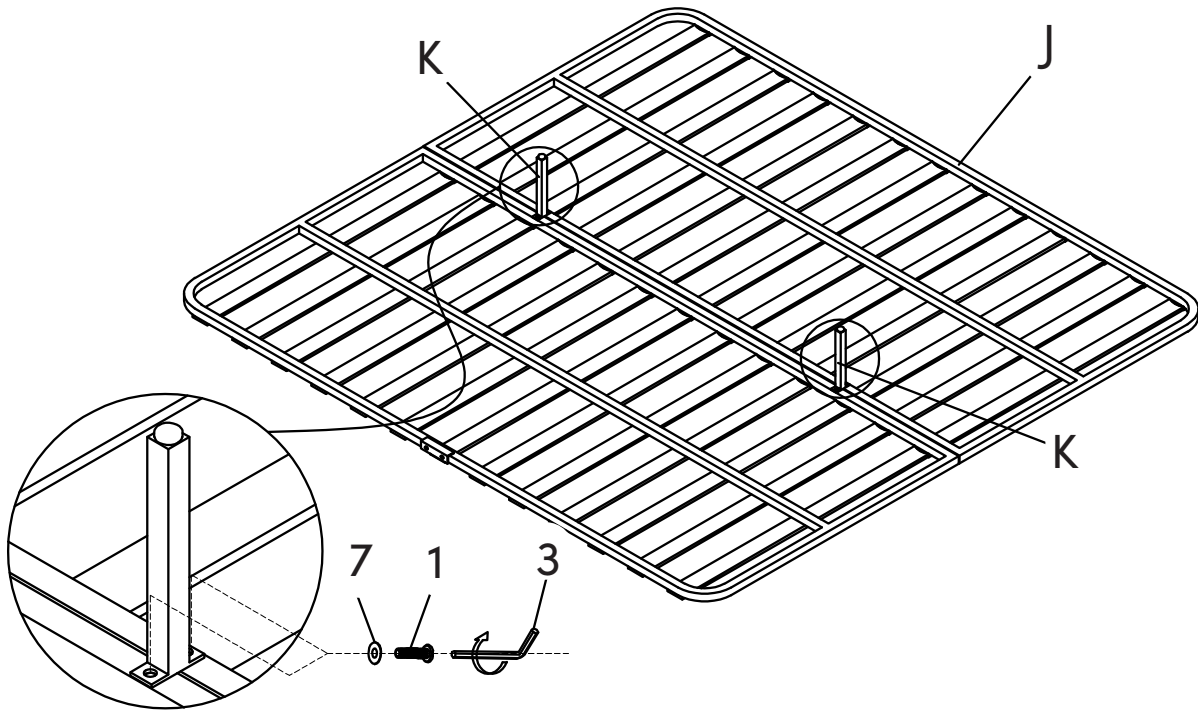
STEP 8



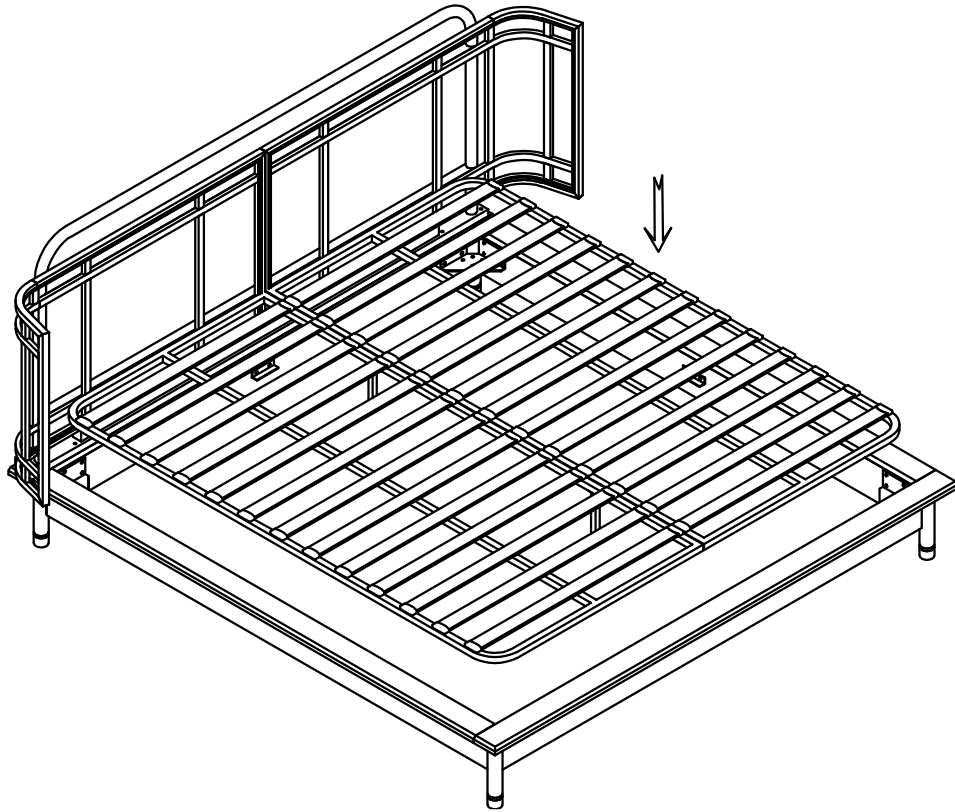
STEP 9



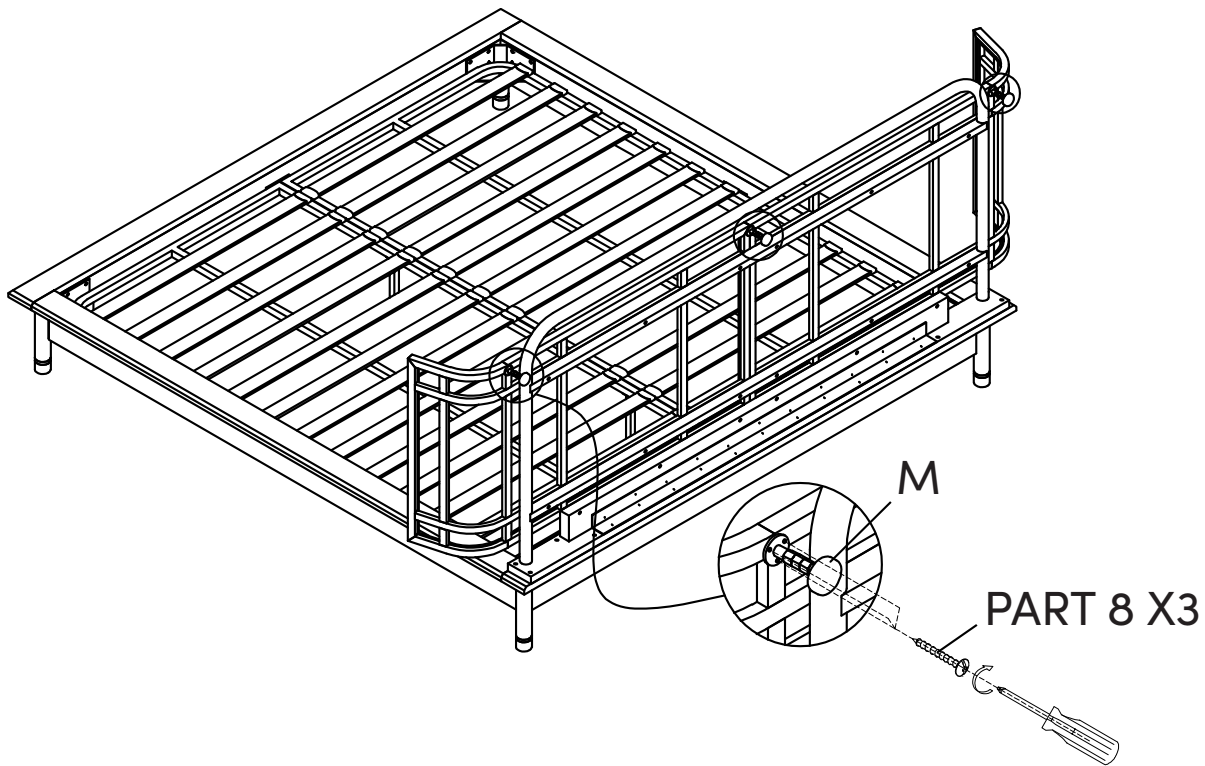
STEP 10



STEP 11



STEP 12



STEP 13

