

# ROVECONCEPTS

## TULIP ROUND TABLE ASSEMBLY INSTRUCTIONS

### HARDWARE



**A**

x4  
M6\*30



**B**

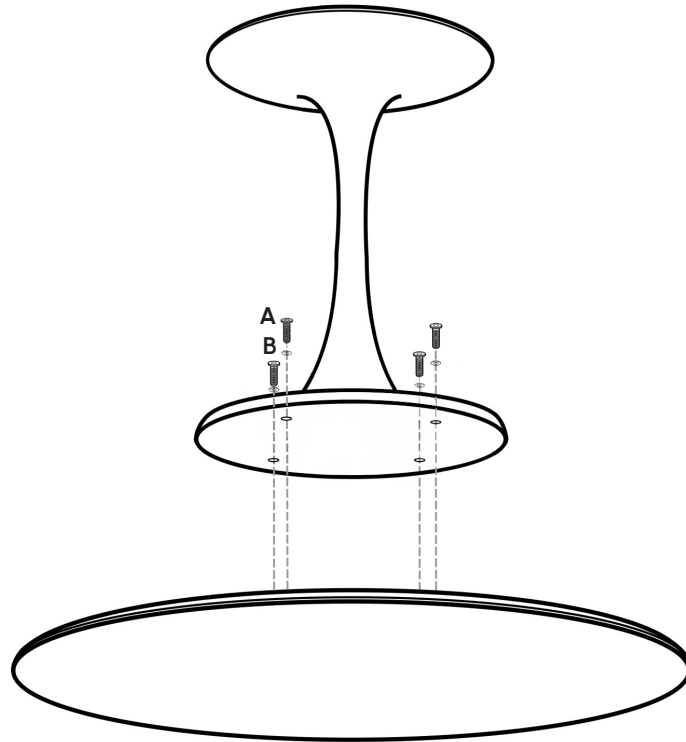
x4  
Ø20\*4



**C**

x1  
M6

### STEP 1



- Put table top upside down on a carpeted or padded area.
- Place table base to table top as shown.
- Insert 4 pieces of (A) with 4 pieces of (B) into the pre-drilled holes on the bottom of the table top through the pre-drilled holes on the table base.
- Use (C) to tighten (A) clockwise until secure.

### STEP 2

