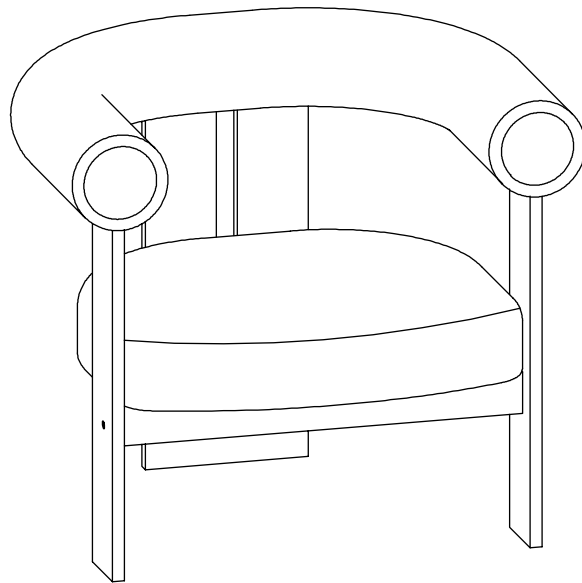




kaye



**TOLA OUTDOOR LOUNGE CHAIR  
ASSEMBLY INSTRUCTIONS**

# HARDWARE



**A**

x12  
1/4 \* 15



**B**

x2  
1/4 \* 90



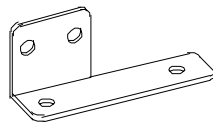
**C**

x2  
1/4 \* Ø10 \* 13



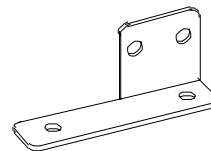
**D**

x1  
K4



**E**

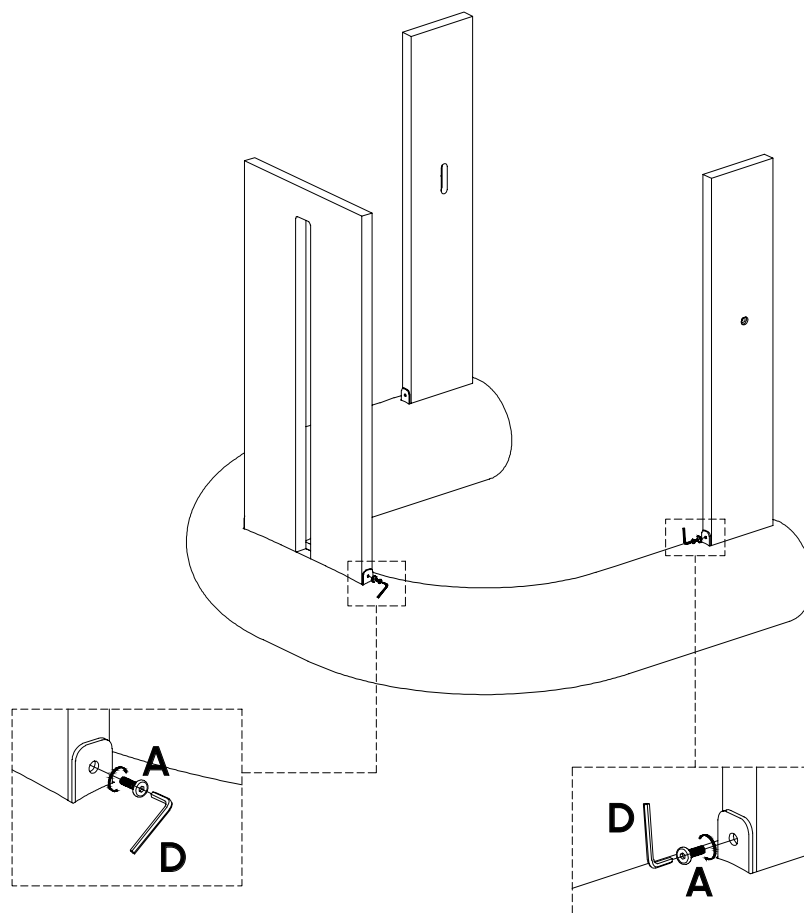
x1



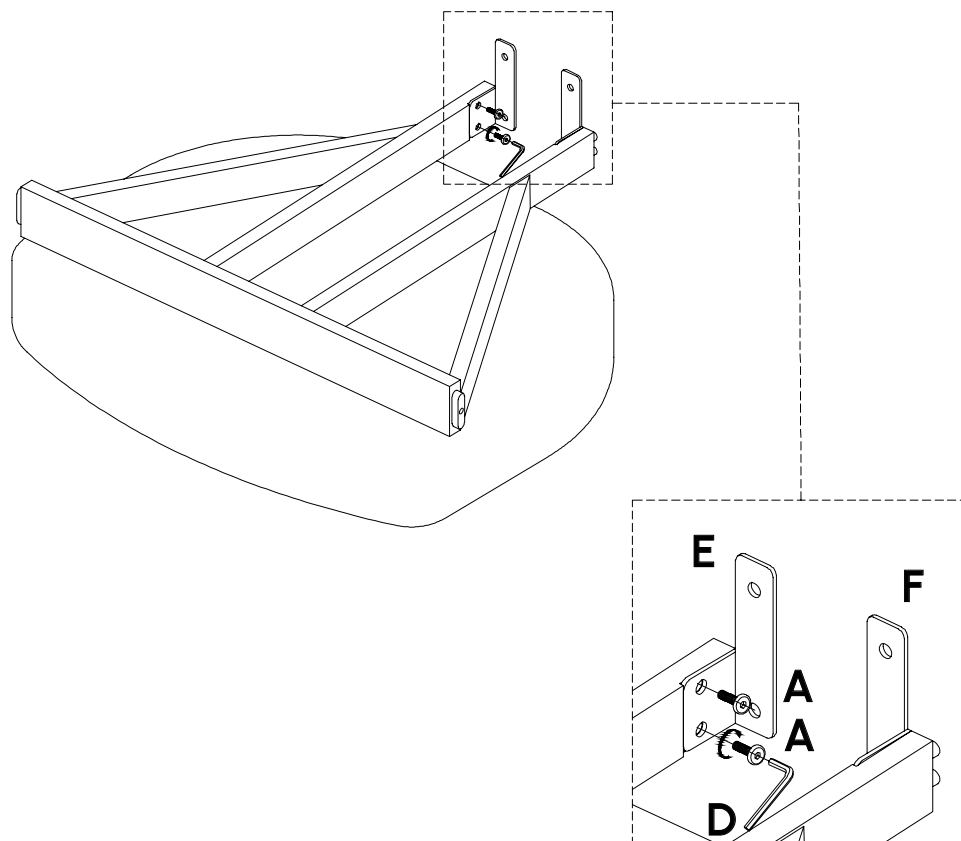
**F**

x1

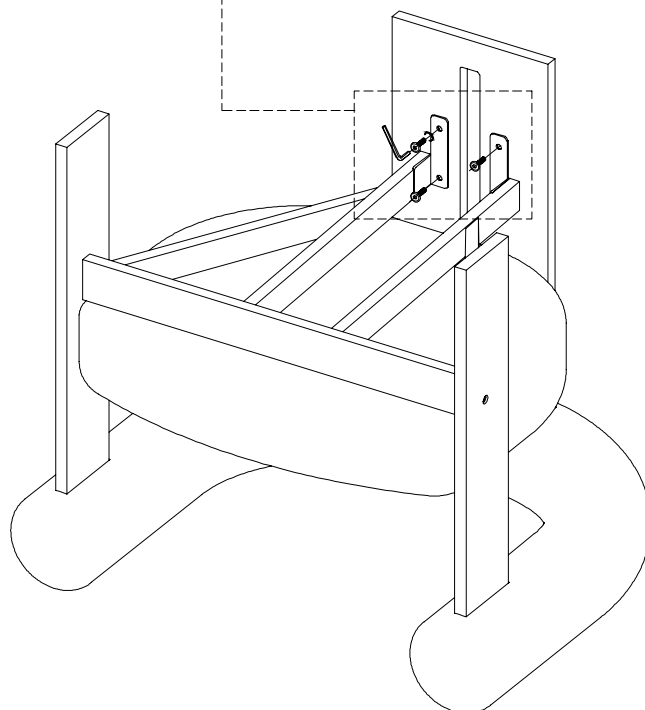
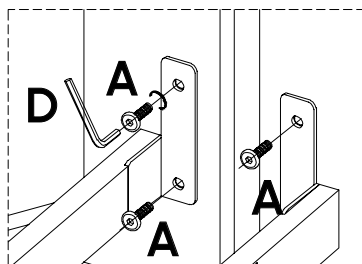
# STEP 1



# STEP 2

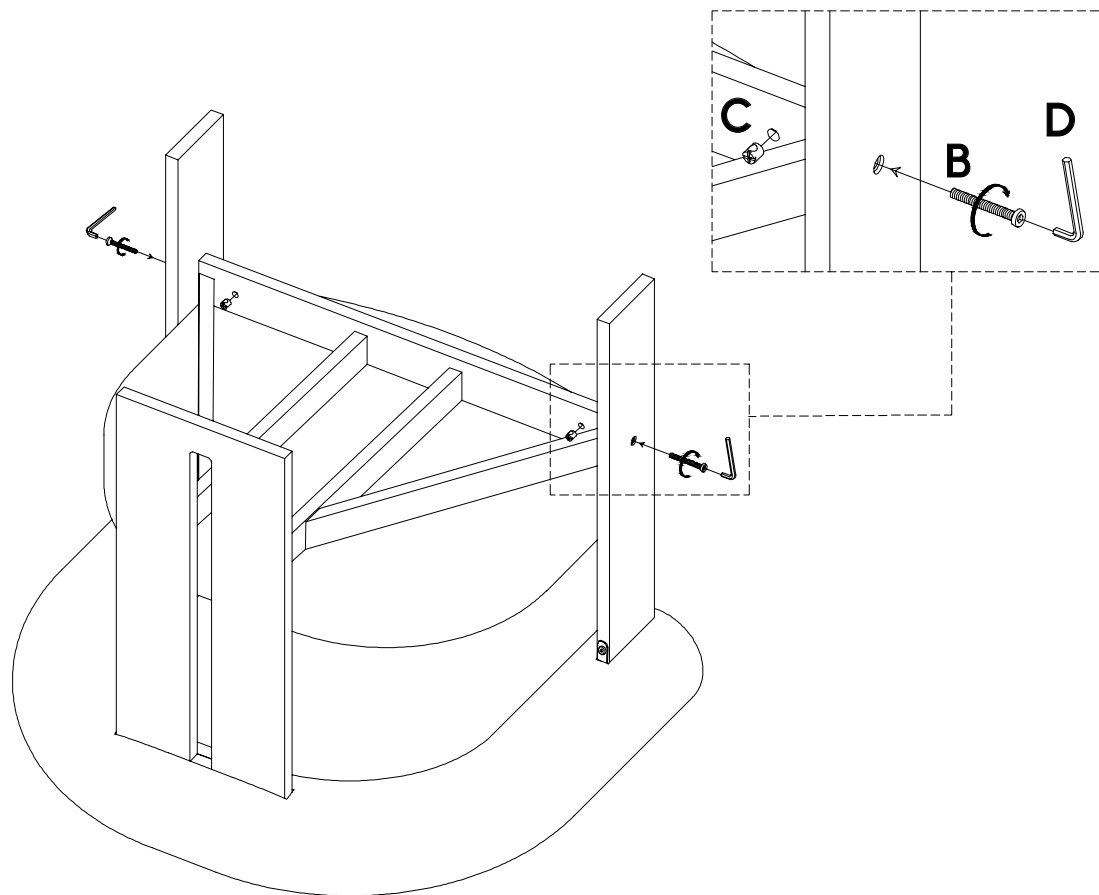


# STEP 3



# STEP 4

The nut (C) needs to be turned and facing (B) to tighten the screws.



# STEP 5

