

# ROVECONCEPTS

## TOLA OUTDOOR LOUNGE CHAIR ASSEMBLY INSTRUCTIONS

### HARDWARE



**A**

x28  
1/4" x 1.5"



**B**

x24  
1.2" x 6" x 11"



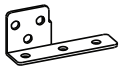
**C**

x24  
1.2" x 6" x 14"



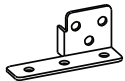
**D**

x1  
K4



**E**

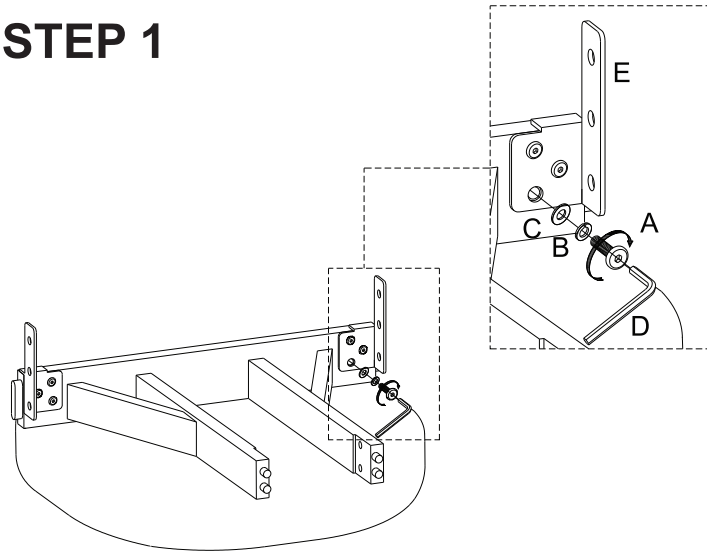
x2  
Metal Plate - Right



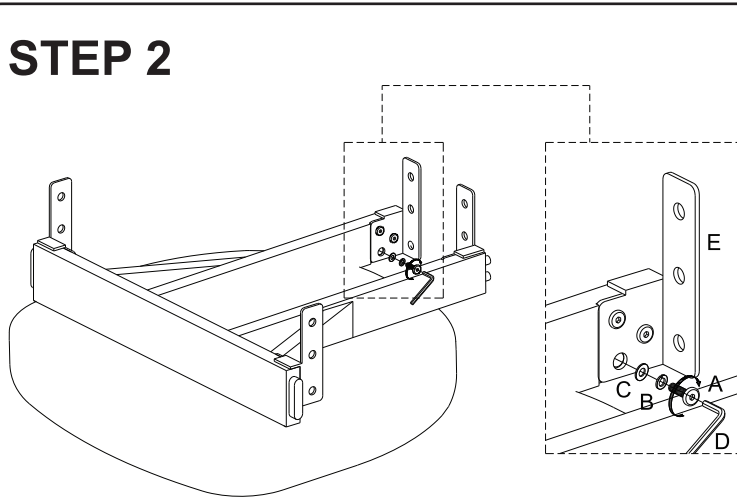
**F**

x2  
Metal Plate - Left

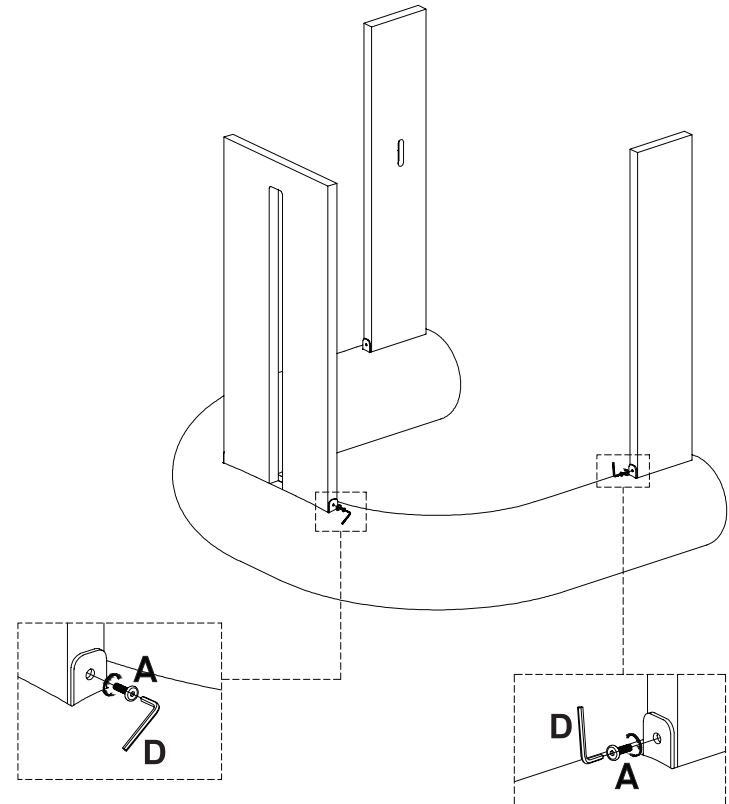
### STEP 1



### STEP 2



### STEP 3



# ROVECONCEPTS

## TOLA OUTDOOR LOUNGE CHAIR ASSEMBLY INSTRUCTIONS

### HARDWARE



**A**

x28  
1/4" x 1.5"



**B**

x24  
1.2" x 6" x 11"



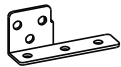
**C**

x24  
1.2" x 6" x 14"



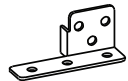
**D**

x1  
K4



**E**

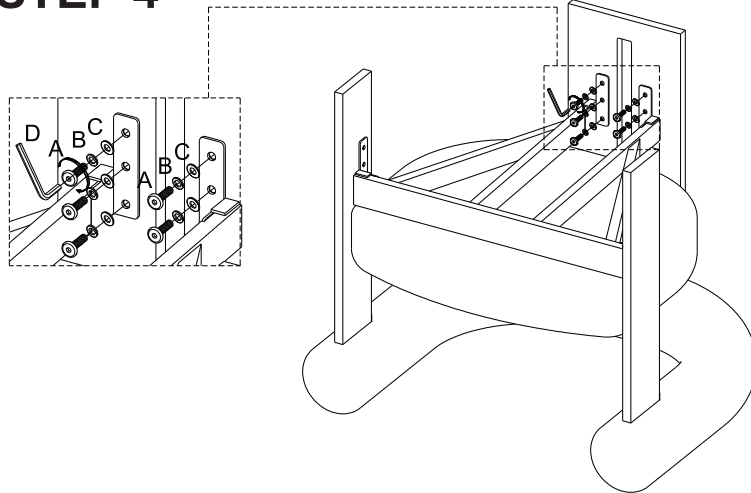
x2  
Metal Plate - Right



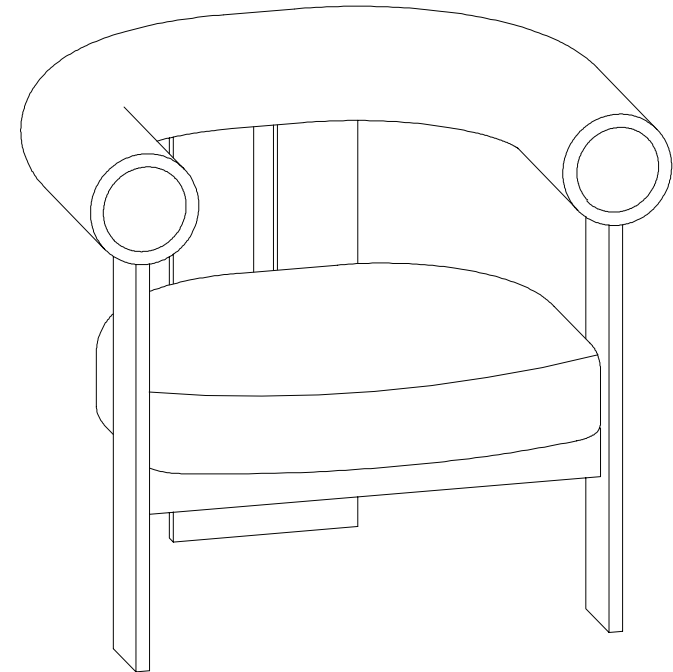
**F**

x2  
Metal Plate - Left

### STEP 4



### STEP 6



### STEP 5

