

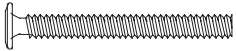
TOLA LOUNGE CHAIR ASSEMBLY INSTRUCTIONS

HARDWARE



**A**

x14  
1/4" \* 15



**B**

x2  
1/4" \* 90



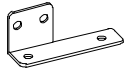
**C**

x2  
1/4" \* Ø10 \* 13



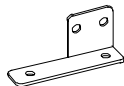
**D**

x1  
K4



**E**

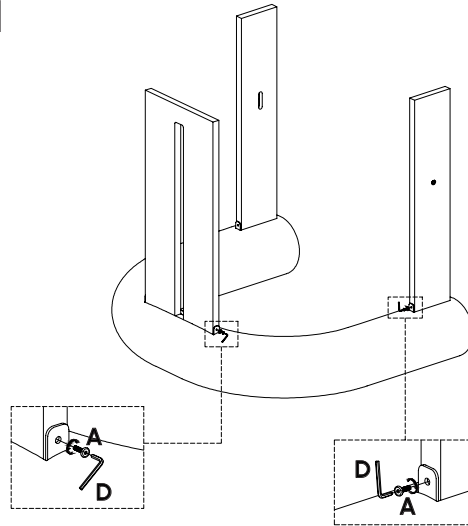
x1



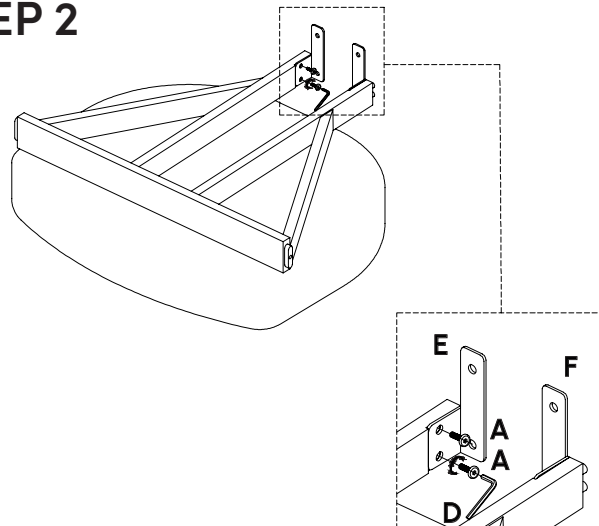
**F**

x1

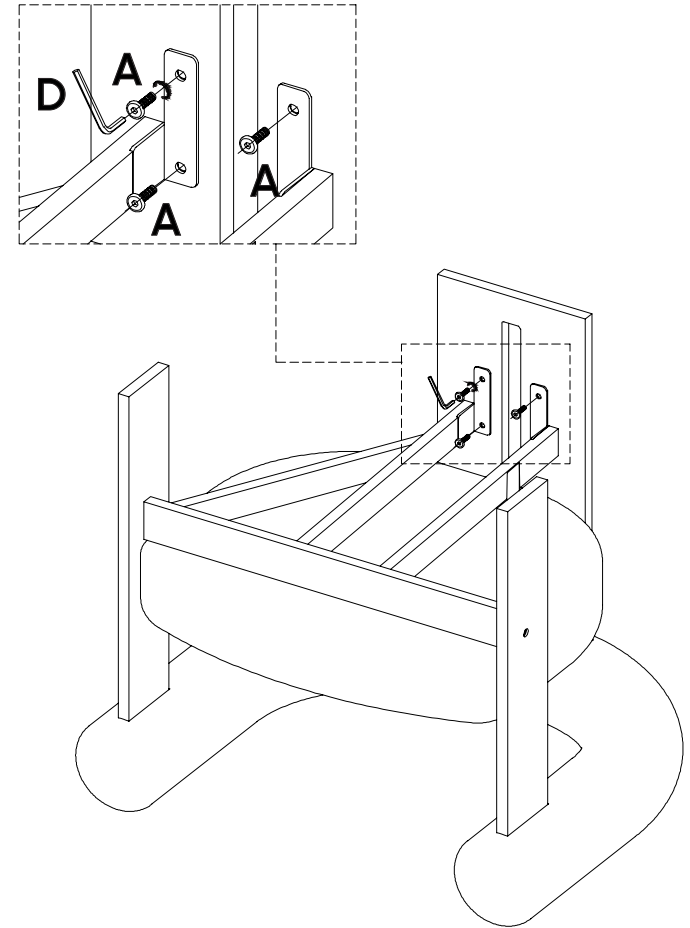
STEP 1



STEP 2



STEP 3



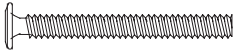
## TOLA LOUNGE CHAIR ASSEMBLY INSTRUCTIONS

### HARDWARE



**A**

x14  
1/4\*15



**B**

x2  
1/4\*90



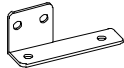
**C**

x2  
1/4 \* Ø10 \* 13



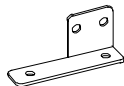
**D**

x1  
K4



**E**

x1

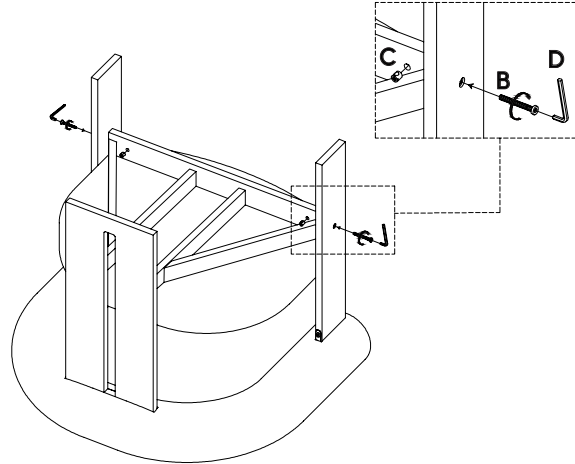


**F**

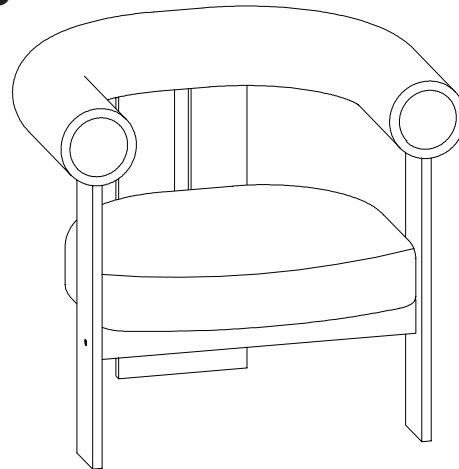
x1

### STEP 4

The nut (C) needs to be turned and facing (B) to tighten the screws.



### STEP 6



### STEP 5

