

TOLA OUTDOOR DINING CHAIR ASSEMBLY INSTRUCTIONS

HARDWARE



A
x10
1/4*15



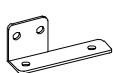
B
x2
1/4*90



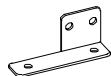
C
x2
1/4*Ø10*13



D
x1
K4



E
x1
Metal Plate - Right

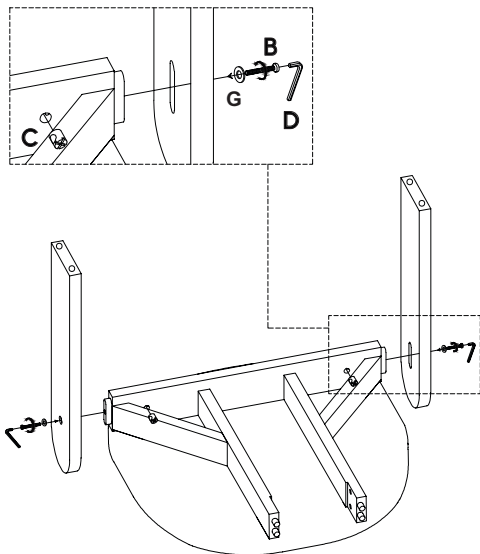


F
x1
Metal Plate - Left

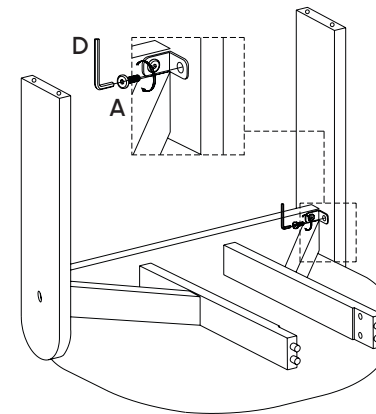


G
x2
Flat Washer

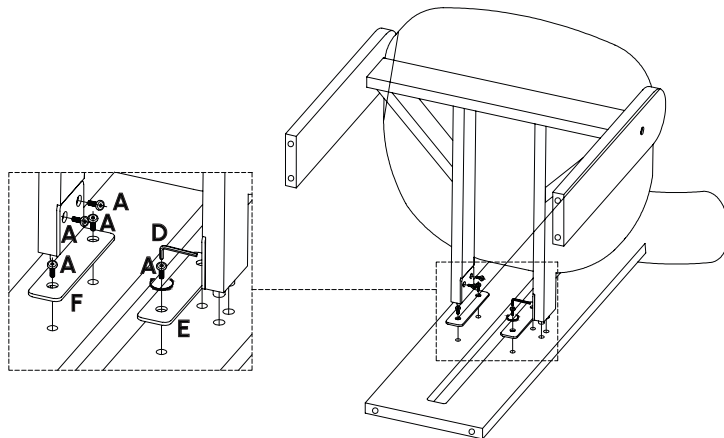
STEP 1



STEP 2



STEP 3



STEP 4

