

ROVECONCEPTS

TOLA OUTDOOR DINING CHAIR ASSEMBLY INSTRUCTIONS

HARDWARE



A

x12
1/4*15



B

x2
1/4*90



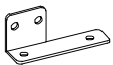
C

x2
1/4*Ø10*13



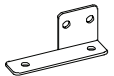
D

x1
K4



E

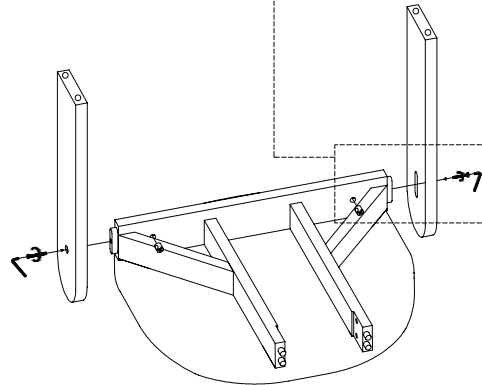
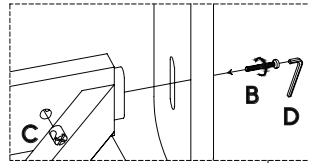
x1
Metal Plate - Right



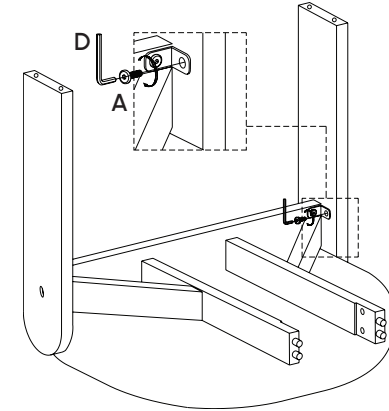
F

x1
Metal Plate - Left

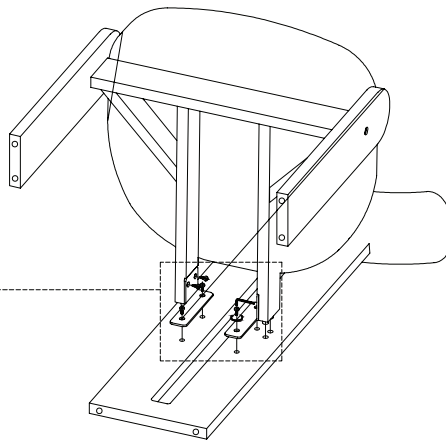
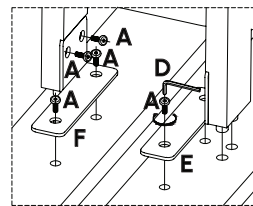
STEP 1



STEP 2



STEP 3



STEP 4

