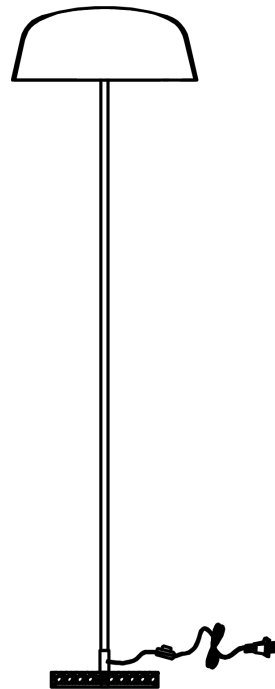


ROVECONCEPTS

Refined Luxury Living

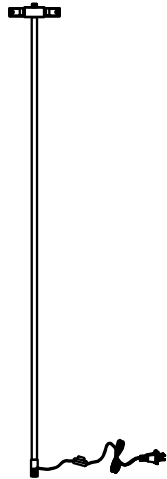


MARIA LAMP ASSEMBLY INSTRUCTIONS

HARDWARE



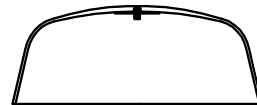
A
x1
Concrete Base



B
x1
Light Pole



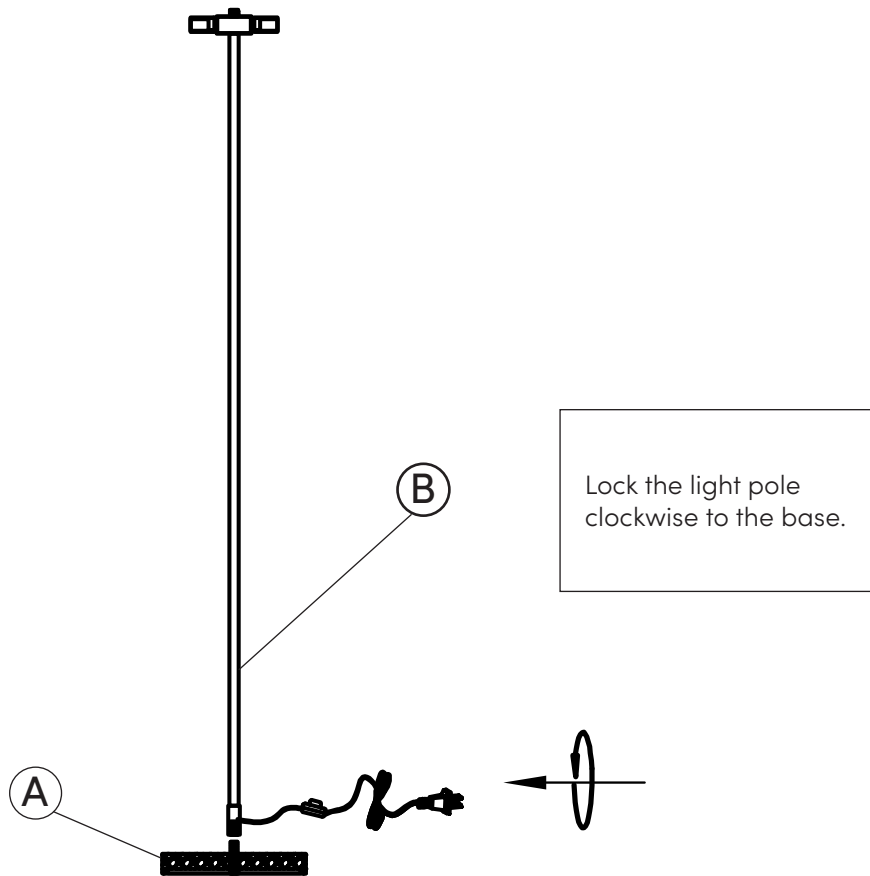
C
x1
Tube



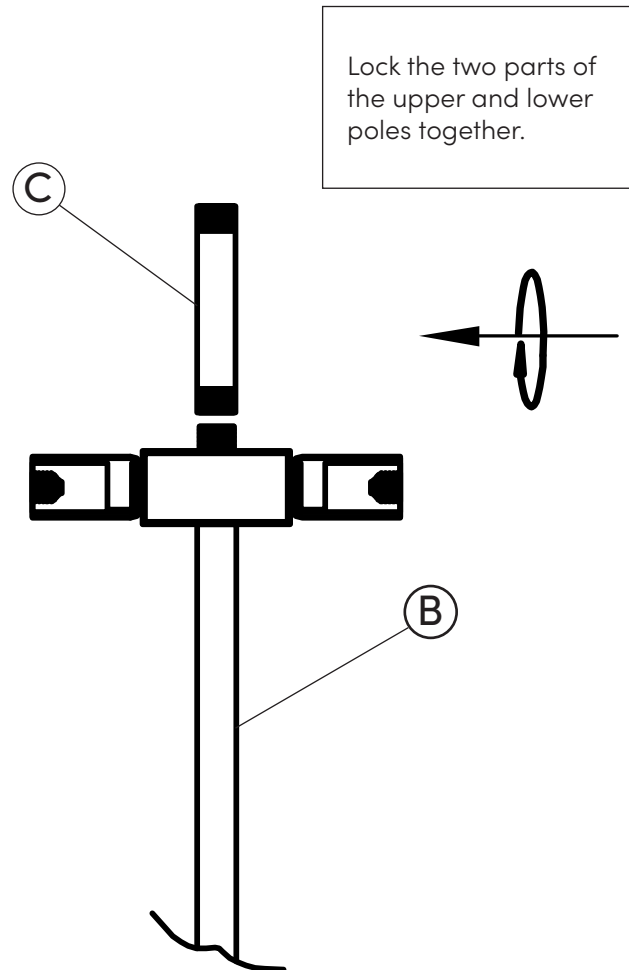
D
x1
Lampshade

*NOT INCLUDED: E12 Light Bulbs x3

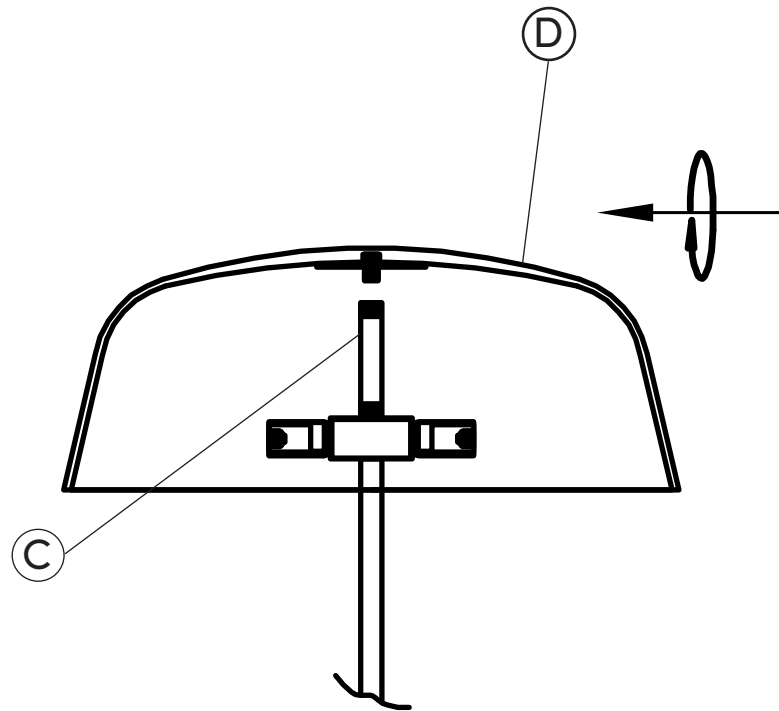
STEP 1



STEP 2

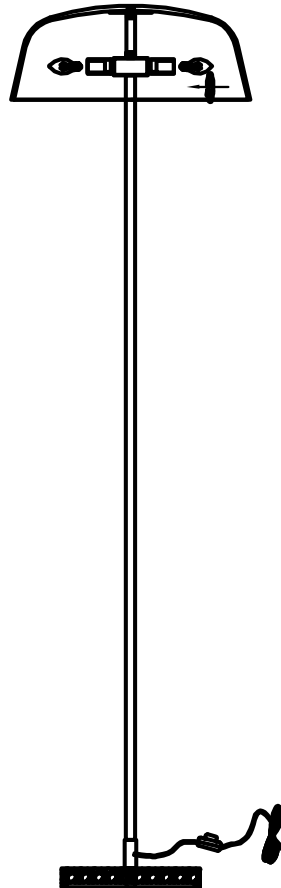


STEP 3



Lock the pole clockwise
on the lampshade.

STEP 4



Install the light source
and turn on the power.

Security Regulations



NOTE: Do not modify or change the electrical of this lighting as this could result in fire and/or injury. Please follow assembly instructions for installation.

Safety precautions (please read fully and follow the instructions before installation)

1. Please ensure the lamp is not plugged into an electrical outlet when assembling.
2. Do not assemble near wet areas or near gas/exhaust furnaces or fireplaces.
3. Do not plug the lamp into multiple power strips as this may overload your electrical system.
4. Do not use the lamp with light dimmers.
5. If flickering or any other unusual issues occur with your lamp, unplug the lamp from the electrical outlet and contact a qualified electrician.
6. If any external damage occurs on the lamp itself or the lamp cord unplug your lamp from the electrical outlet and contact a qualified electrician to avoid any electric fires and/or injury.