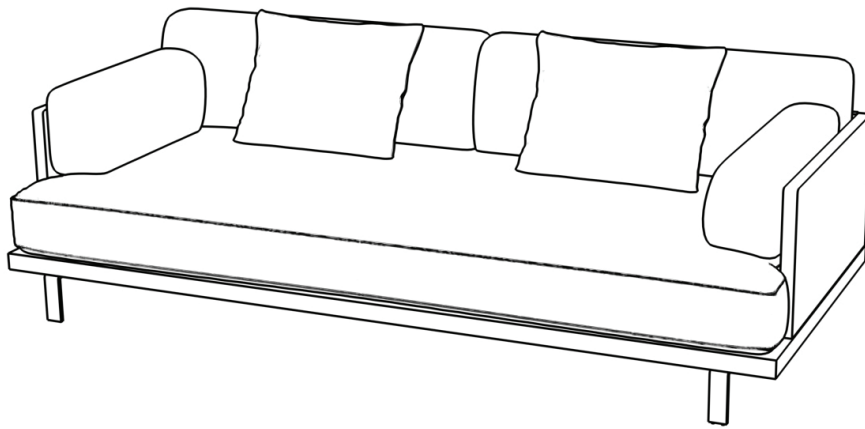


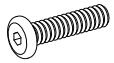
# ROVECONCEPTS

Refined Luxury Living



**MARIA SOFA**  
**ASSEMBLY INSTRUCTIONS**

# HARDWARE



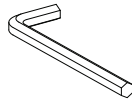
**A**

x10  
Ø8\*65



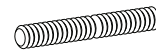
**B**

x10  
Ø20\*1 - Ø8



**C**

x1  
M5



**D**

x4  
Ø8\*80



**E**

x4



**F**

x4  
Ø8



**G**

x1



**H**

x4  
Self Adhesive Sticker



**I**

x8  
Ø8\*35



**J**

x4  
M6\*20

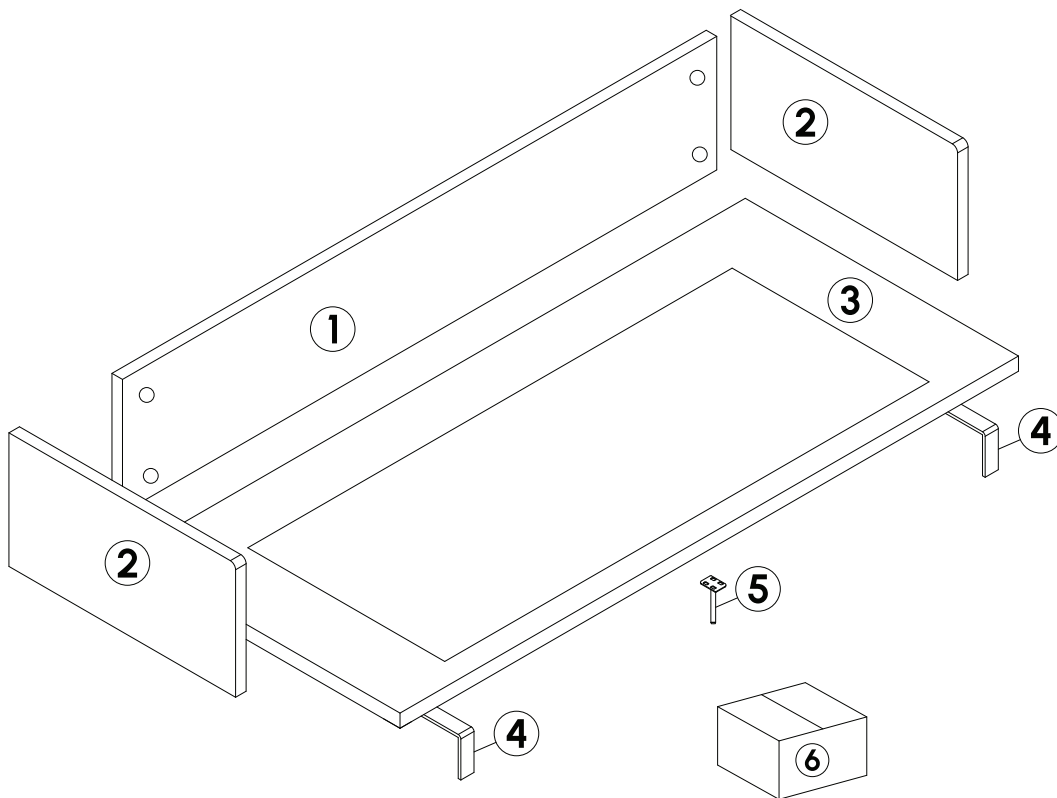


**K**

x4  
Ø15\*1 - Ø6

# STEP 1

Unpack and count the parts.



1. Backrest x1

2. Armrest x2

3. Base x1

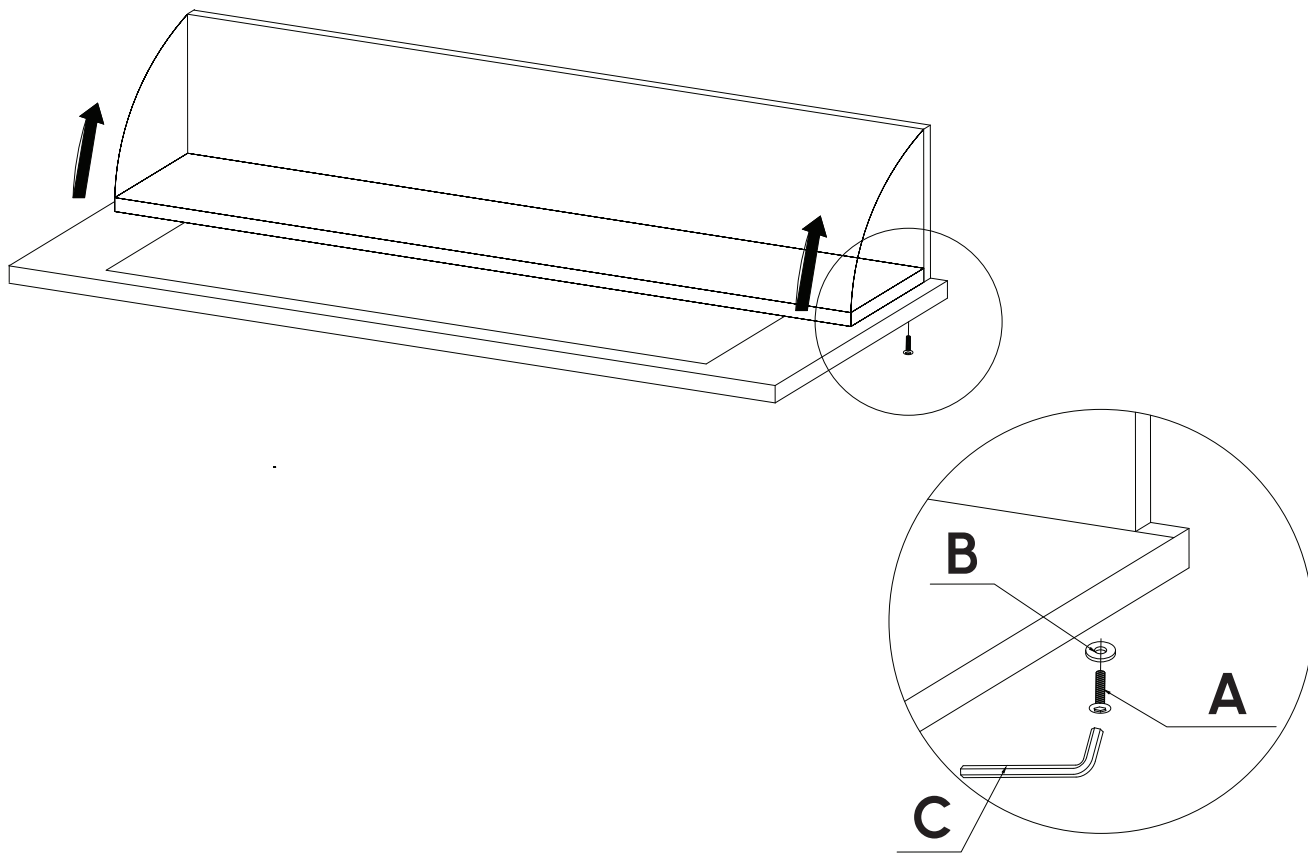
4. Foot Tube x2

5. Midfoot x1

6. Hardware Bag x1

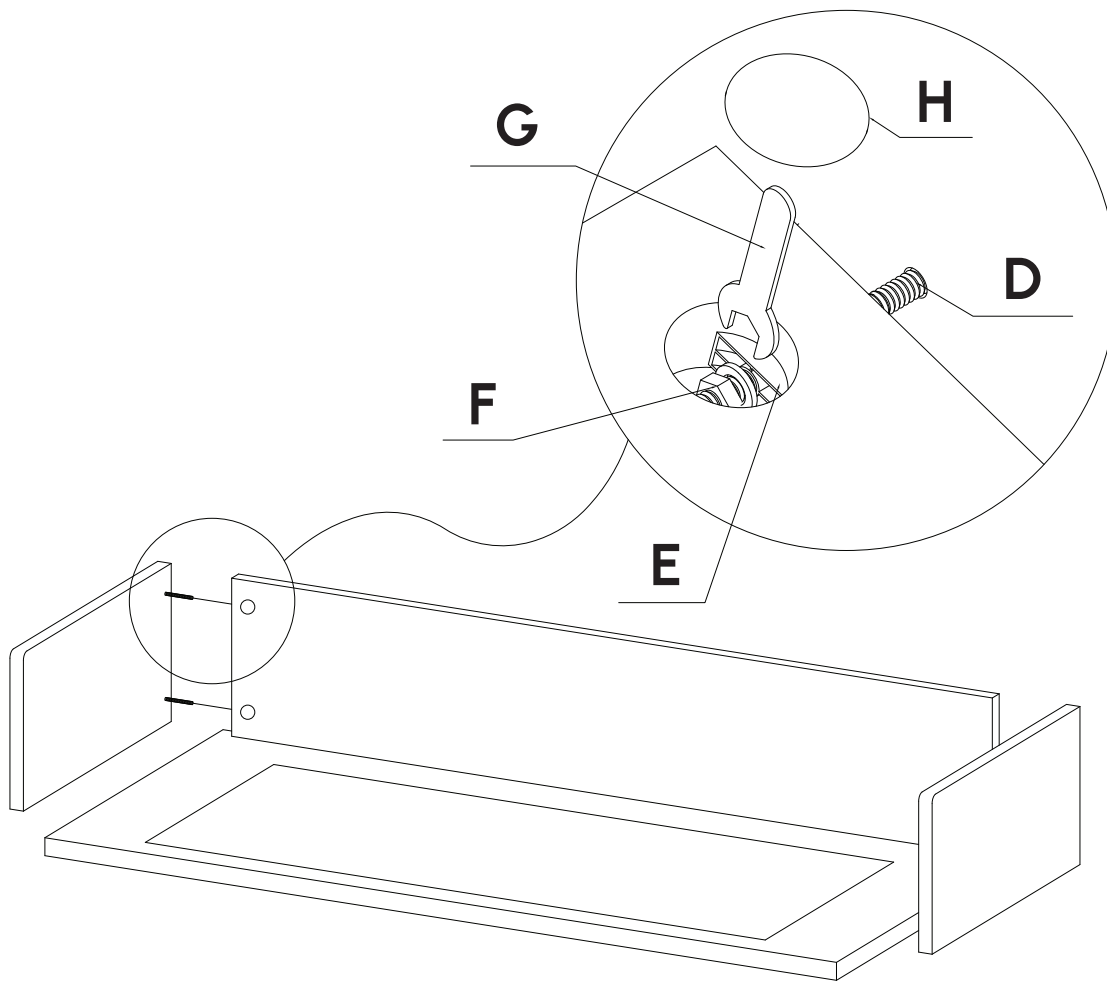
# STEP 2

Place the backrest as shown in the picture and fixed them with screws.



# STEP 3

Fix the armrest and backrest with half moon parts, and then fix the armrest and the base with screws. Then attach a self-adhesive sticker.



# STEP 4

Place the foot tube as shown in the picture and fix the foot tube to the base with screws.

