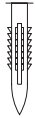


ROVECONCEPTS

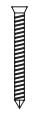
ORGANA MIRROR ASSEMBLY INSTRUCTIONS

HARDWARE



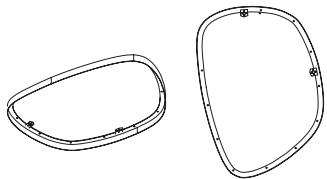
A

x2
Ø8*55mm



B

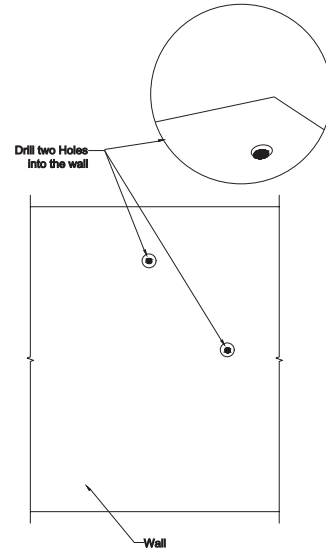
x2
M5*50mm



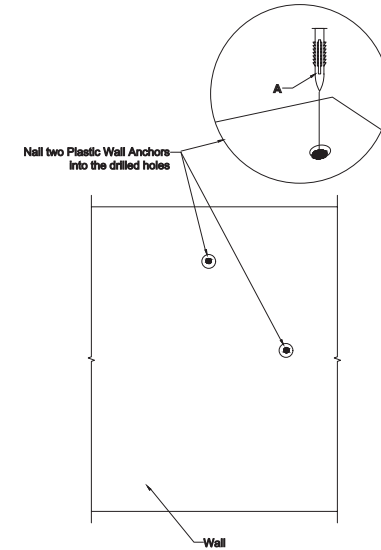
1

x1

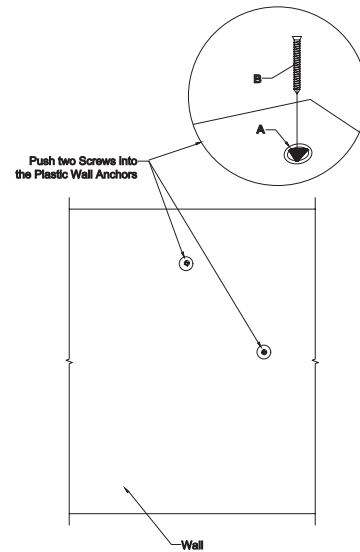
STEP 1



STEP 2



STEP 3



STEP 4

