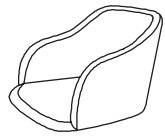


# ROVECONCEPTS

## AUBREY ARMCHAIR ASSEMBLY INSTRUCTIONS

### HARDWARE



**A**

x1



**B**

x1



**C**

x4  
M6x55



**D**

x4  
M6

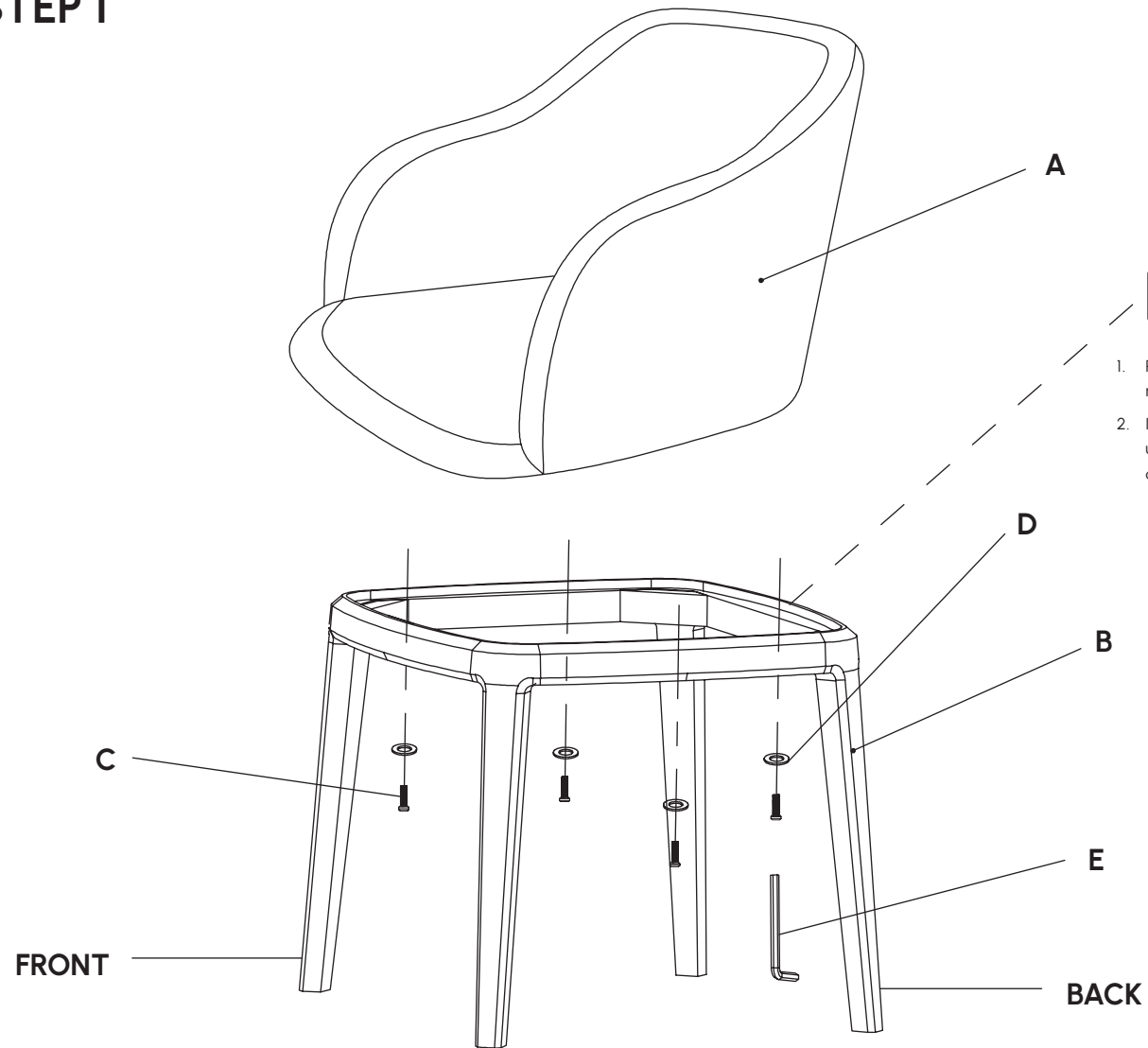


**E**

x1

M6

### STEP 1



**ROVECONCEPTS**

1. Please hold the tag and tape together when removing the Rove Concepts tag
2. If residual adhesive is left on the product, please use an oil-based solution to remove the remaining adhesive glue