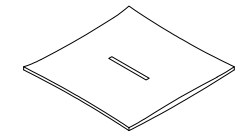
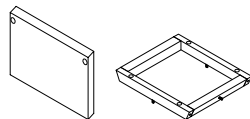


HARDWARE QUINCAILLERIE



A

x1



B

x2

C

x1



D

x8
M8*50



E

x8
M8*12



F

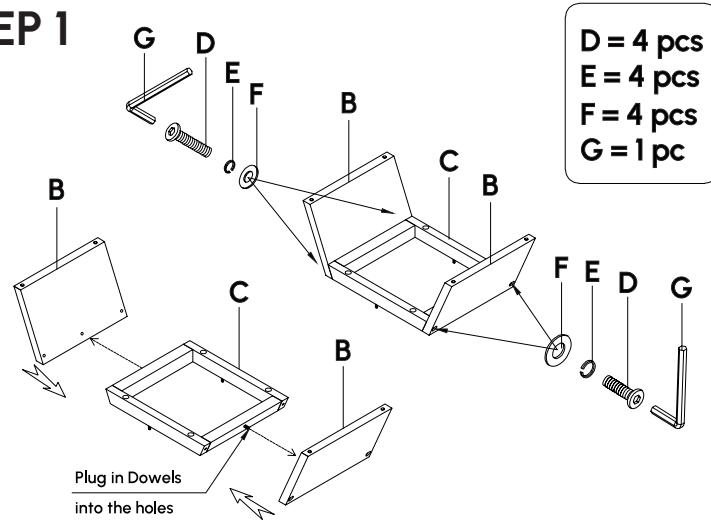
x8
M8*19



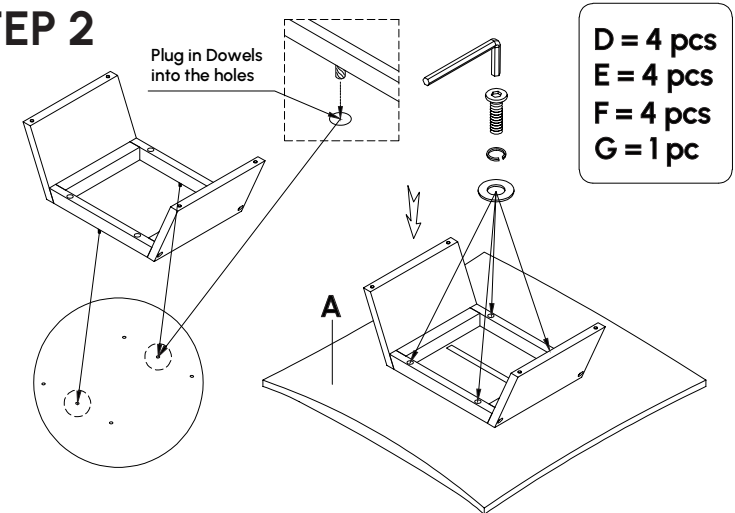
G

x1
M4*110

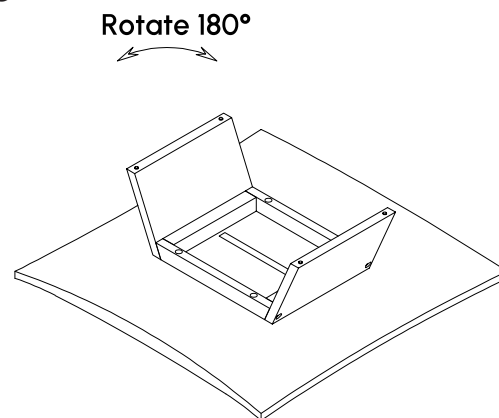
STEP 1



STEP 2



STEP 3



STEP 4

