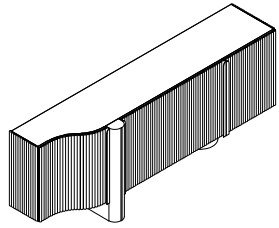


# ROVECONCEPTS

## MAGNUS ENTRYWAY CONSOLE ASSEMBLY INSTRUCTIONS



### HARDWARE



**A**

x4



**B**

x4



**C**

x4

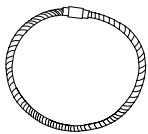
M4\*30



**D**

x4

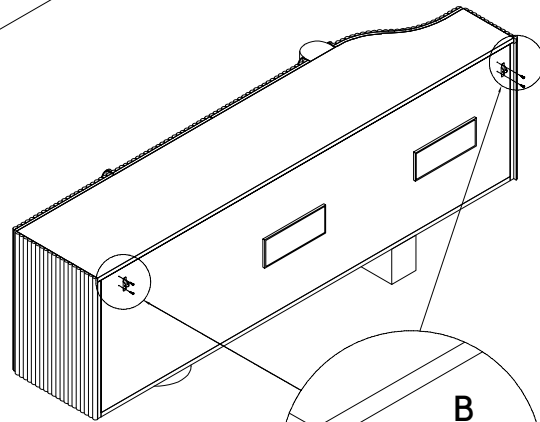
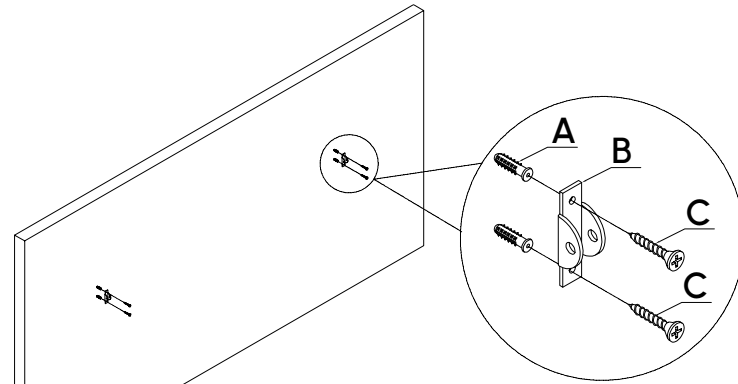
M4\*15



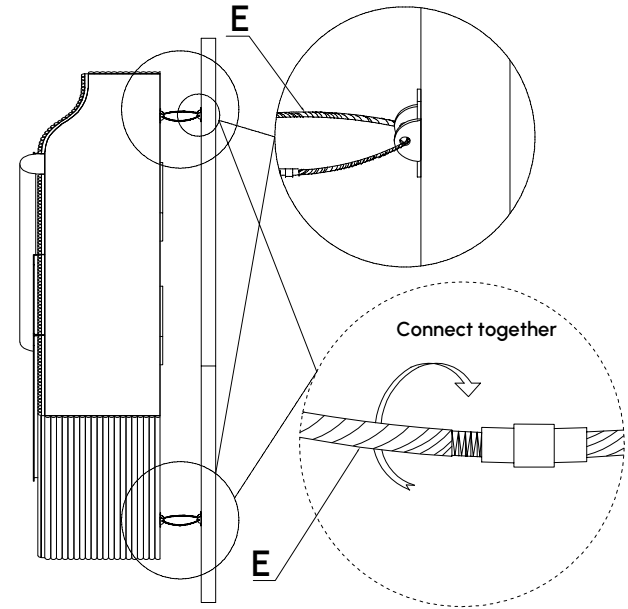
**E**

x2

### STEP 1



### STEP 2



### STEP 3

