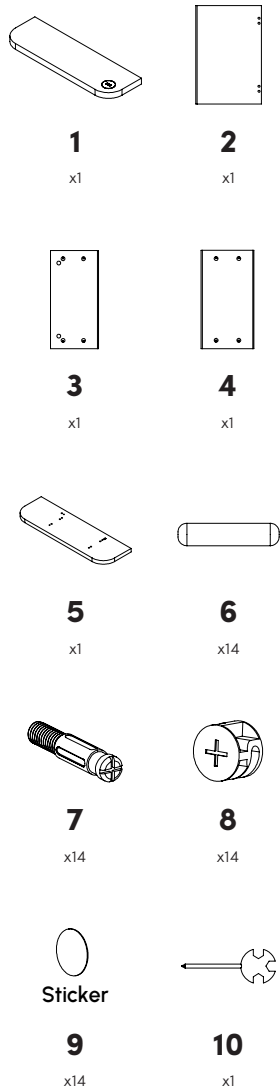
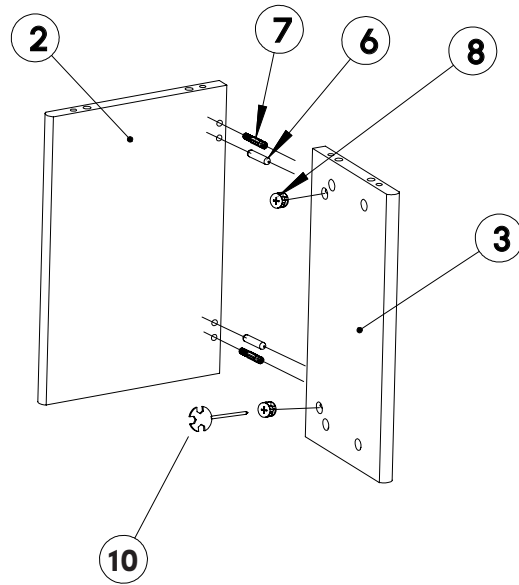


UNI END TABLE ASSEMBLY INSTRUCTIONS

HARDWARE



STEP 1



STEP 2

