

### HARDWARE



**A**

x28  
1/4" x 1 1/2"



**B**

x28  
1.2" x 6" x 11"



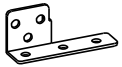
**C**

x28  
1.2" x 6" x 11"



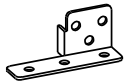
**D**

x1  
K4



**E**

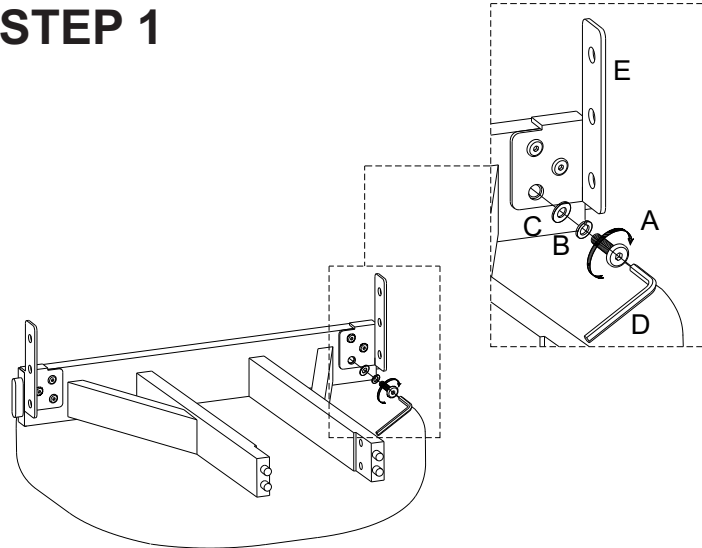
x2  
Metal Plate - Right



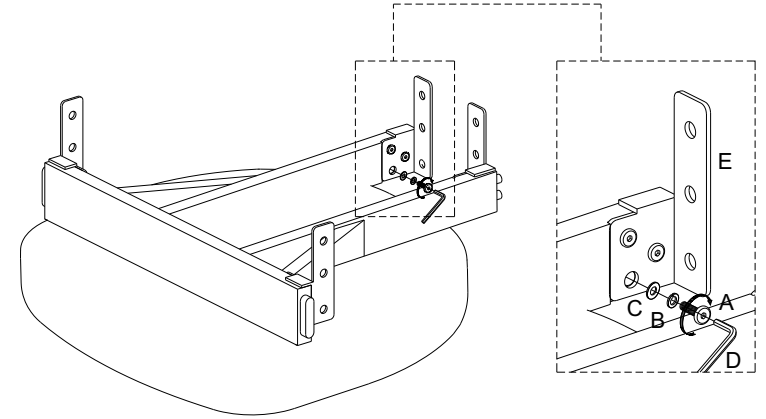
**F**

x2  
Metal Plate - Left

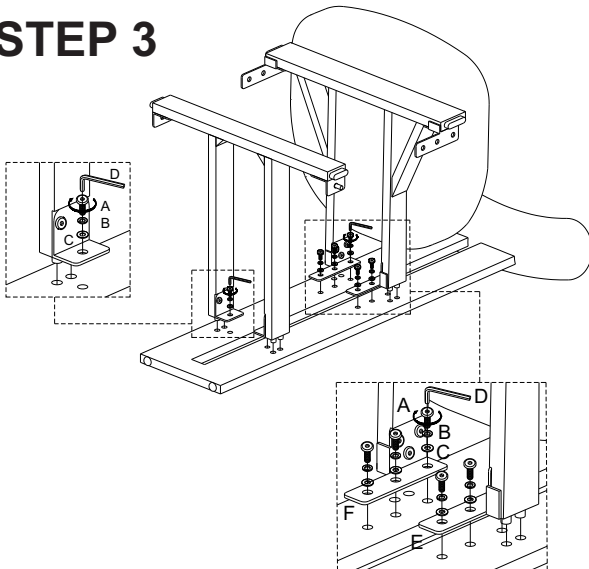
### STEP 1



### STEP 2

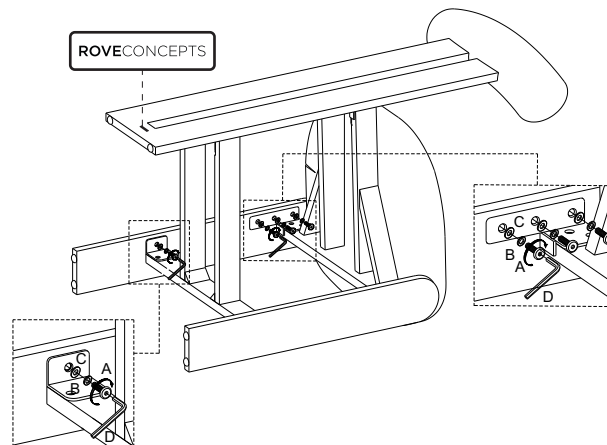


### STEP 3



### STEP 4

1. Please hold the tag and tape together when removing the Rove Concepts tag
2. If residual adhesive is left on the product, please use an oil-based solution to remove the remaining adhesive glue



### STEP 5

