

# ROVECONCEPTS *kaye* COLLECTION

## ASPEN DINING SET ASSEMBLY INSTRUCTIONS

### HARDWARE



**1**

x20  
M8\*70



**2**

x20  
M8\*13



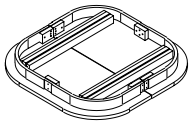
**3**

x20  
M8\*19



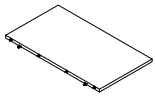
**4**

x1  
M4\*100



**A**

x1



**B**

x1



**C**

x2



**D**

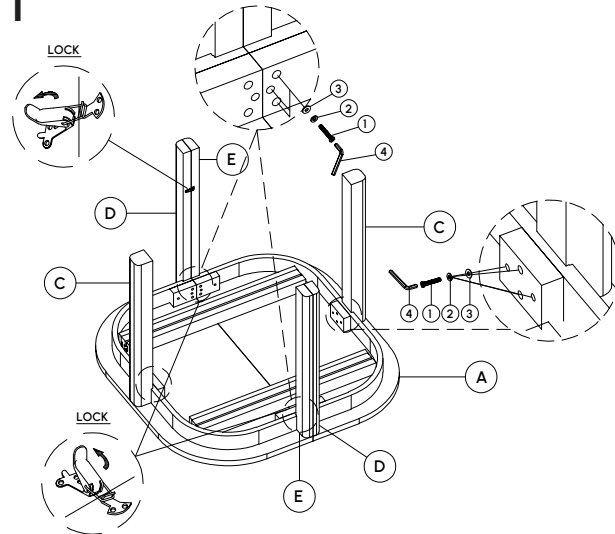
x2



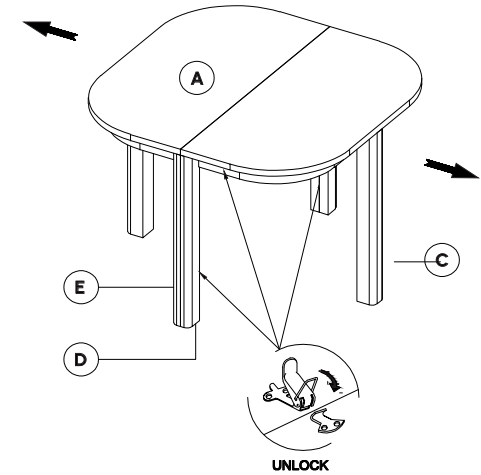
**E**

x2

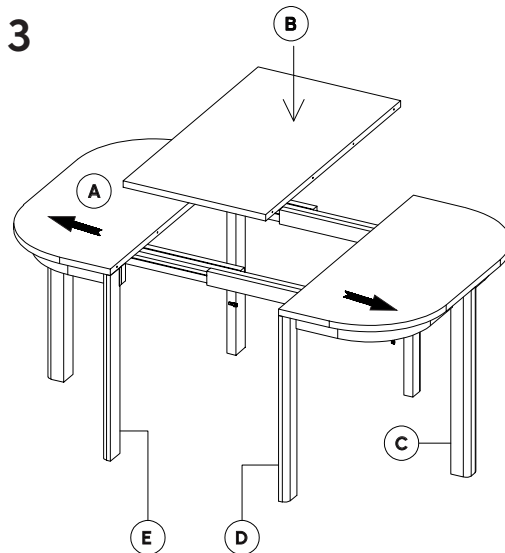
### STEP 1



### STEP 2



### STEP 3



### STEP 4

