

MAIA EXTENSION DINING TABLE ASSEMBLY INSTRUCTIONS

HARDWARE



1

x2
M8*80



2

x2
M8*13



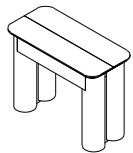
3

x2
M8*19



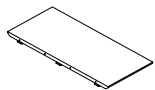
4

x1
M4*100



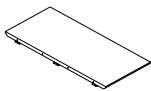
A

x1



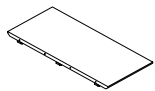
B

x1



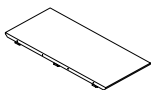
C

x1



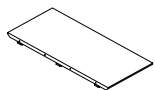
D

x1



E

x1

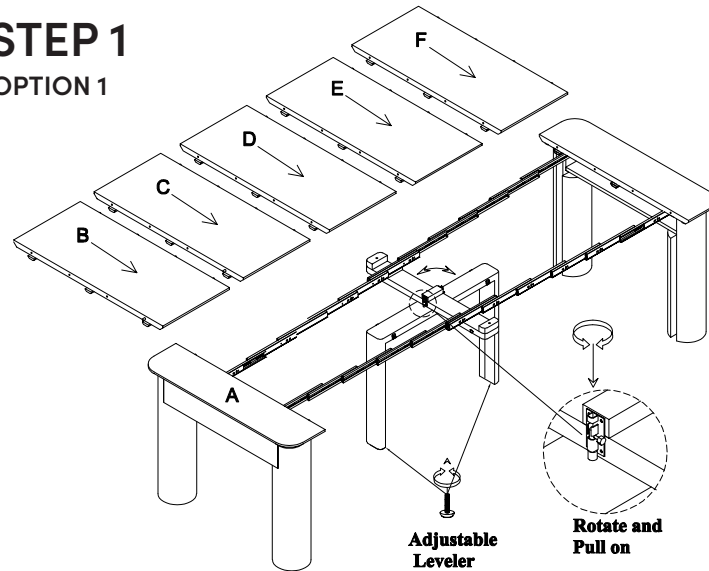


F

x1

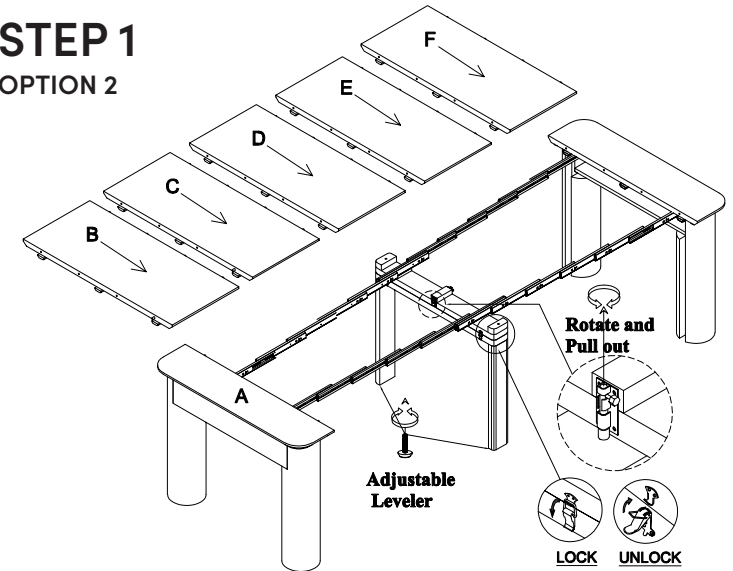
STEP 1

OPTION 1



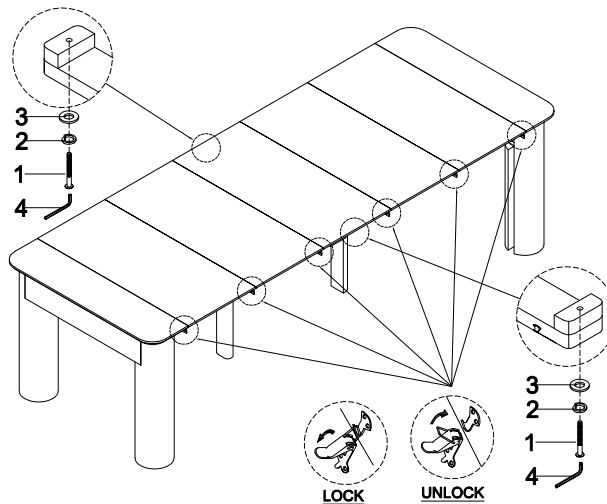
STEP 1

OPTION 2



STEP 2

OPTION 1



STEP 2

OPTION 2

