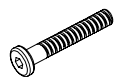


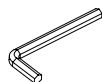
HARDWARE



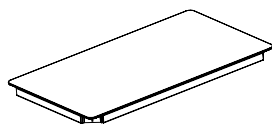
A
x8
M8*50



B
x8
Ø20*10*2



C
x1
M4

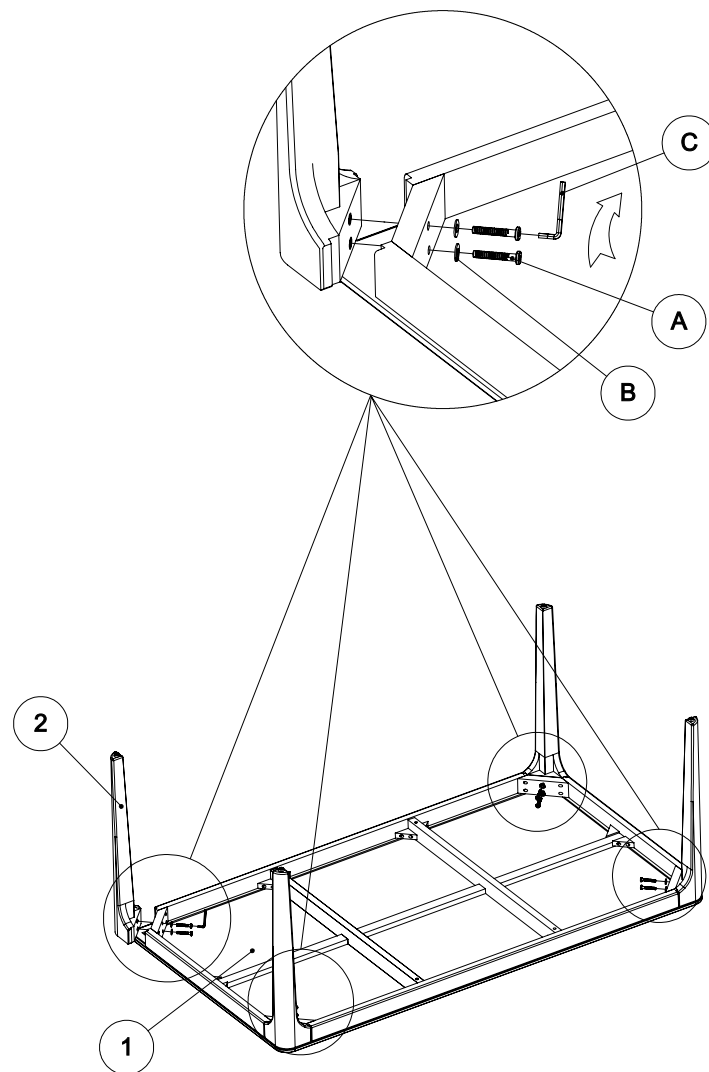


1
x1



2
x4

STEP 1



STEP 2

