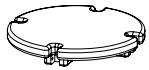


ORB COFFEE TABLE ASSEMBLY INSTRUCTIONS

HARDWARE



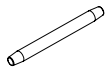
1

x1



2

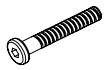
x4



A

x4

Ø10*95



B

x4

M6*35



C

x4

Ø15.5*6.5*1.5

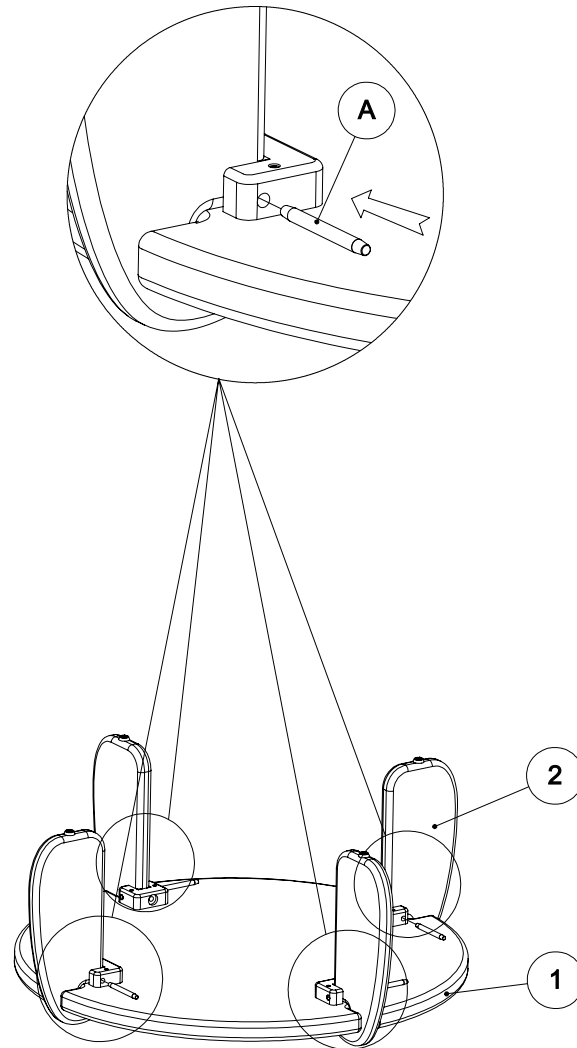


D

x1

M4

STEP 1



STEP 2

