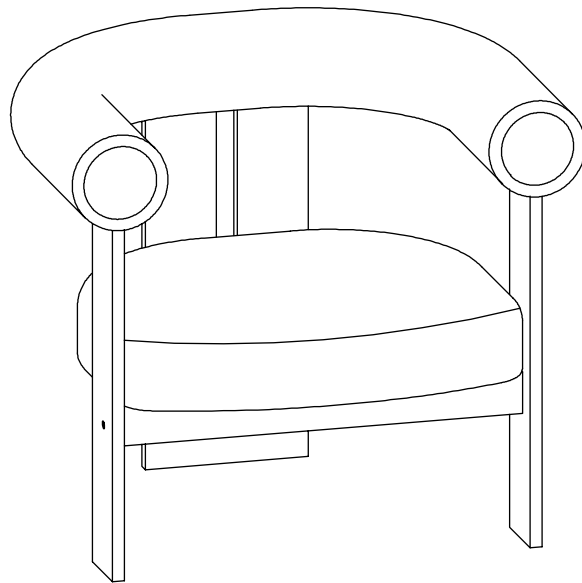


kaye

by **ROVECONCEPTS**



**TOLA LOUNGE CHAIR
ASSEMBLY INSTRUCTIONS**

HARDWARE



A

x12
1/4 * 15



B

x2
1/4 * 90



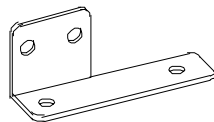
C

x2
1/4 * Ø10 * 13



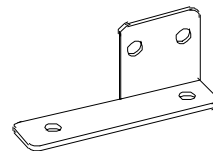
D

x1
K4



E

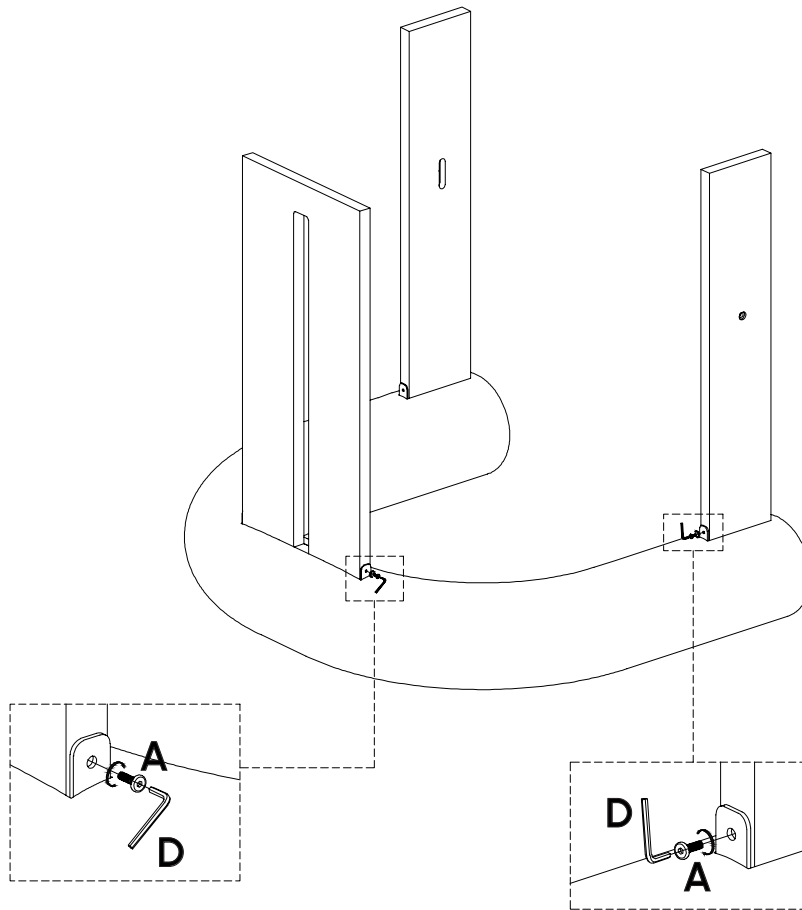
x1



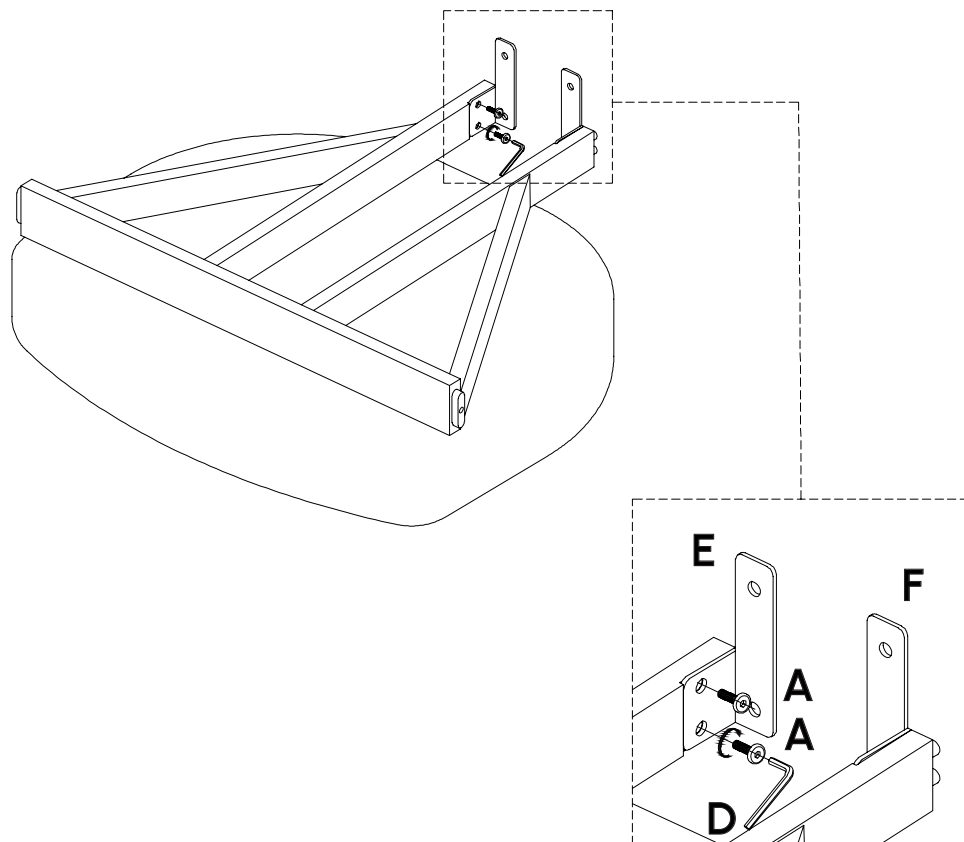
F

x1

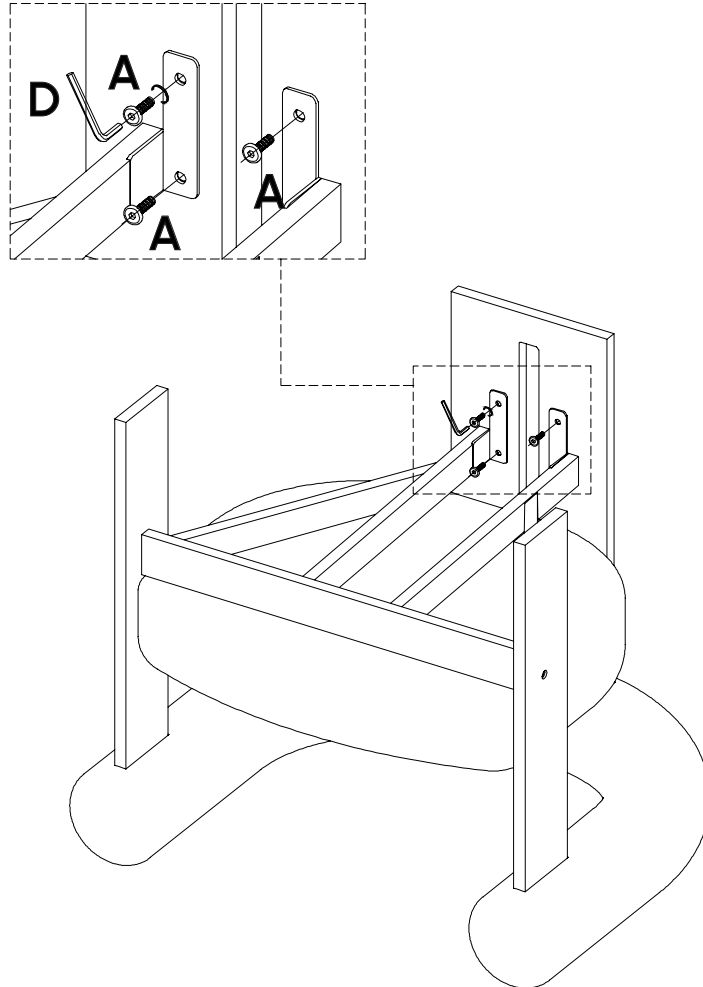
STEP 1



STEP 2

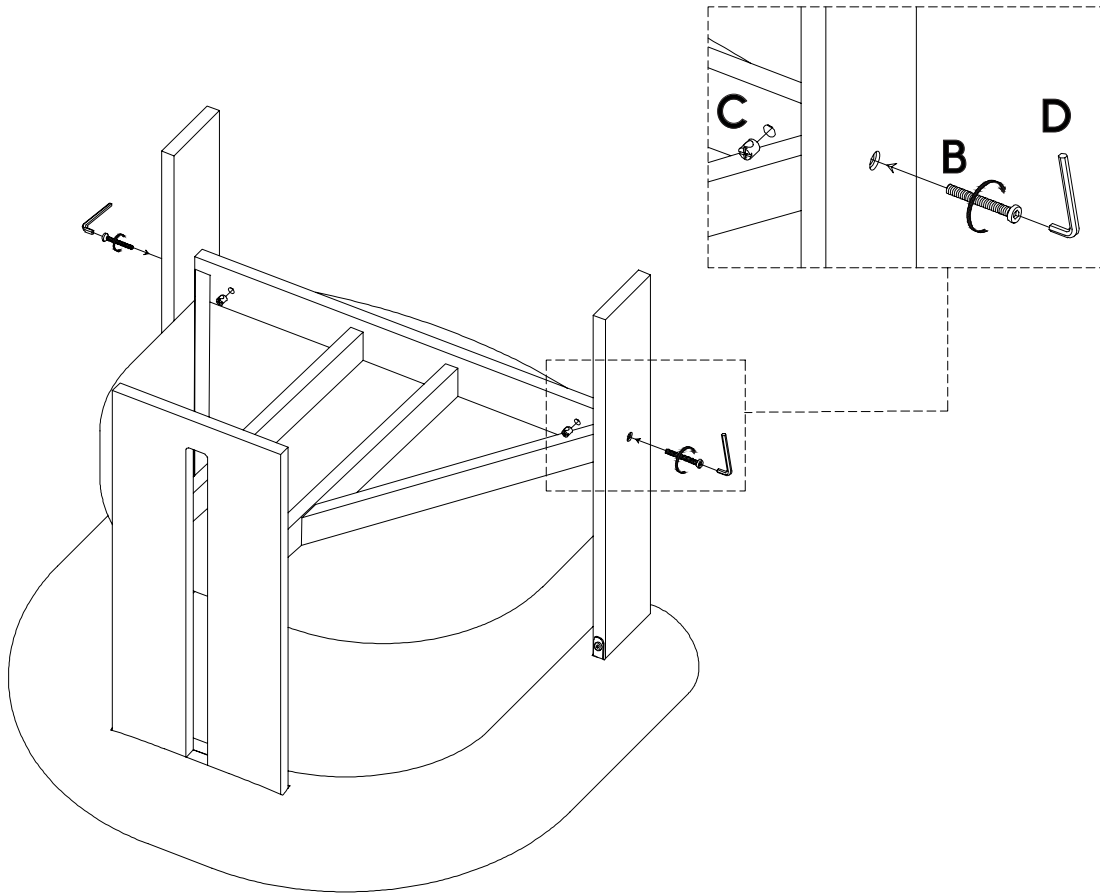


STEP 3



STEP 4

The nut (C) needs to be turned and facing (B) to tighten the screws.



STEP 5

