

ROVECONCEPTS

TOLA DINING CHAIR ASSEMBLY INSTRUCTIONS

HARDWARE



A
x24
1/4" x 15



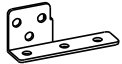
B
x24
1.2" x 6" x 11



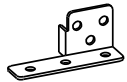
C
x24
1.2" x 6" x 14



D
x1
K4

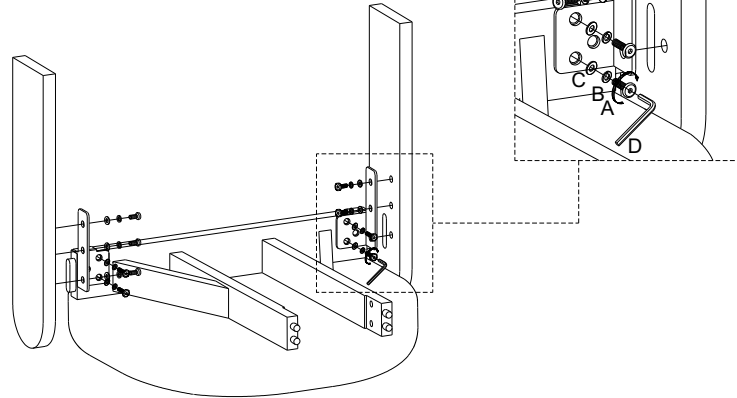


E
x2
Metal Plate - Right

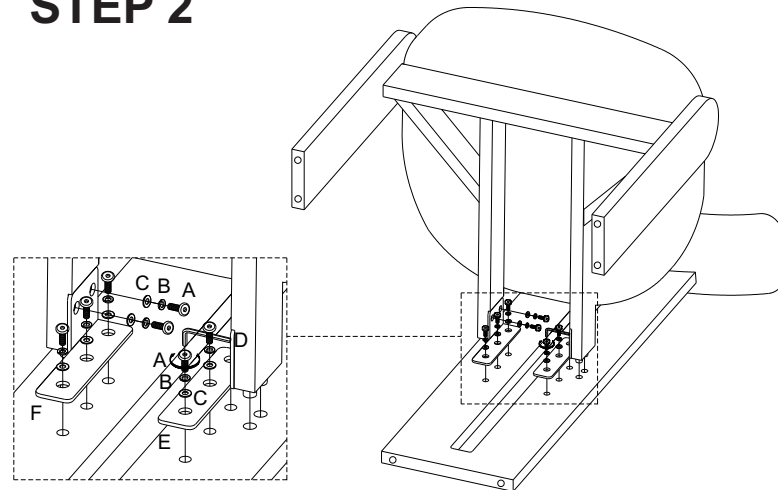


F
x2
Metal Plate - Left

STEP 1



STEP 2



STEP 3

