

## TOLA DINING CHAIR ASSEMBLY INSTRUCTIONS

### HARDWARE



**A**

x10  
1/4" x 15



**B**

x2  
1/4" x 90



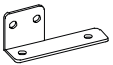
**C**

x2  
1/4" x Ø10 x 13



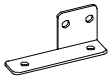
**D**

x1  
K4



**E**

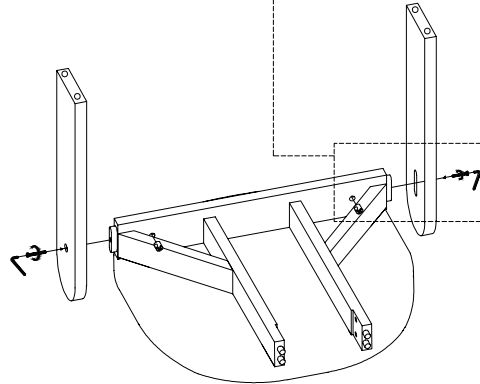
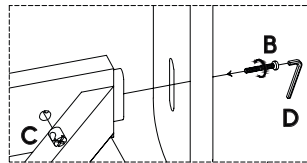
x1  
Metal Plate - Right



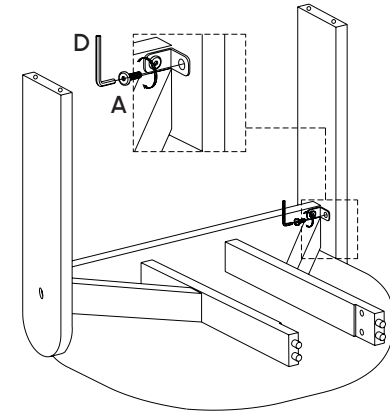
**F**

x1  
Metal Plate - Left

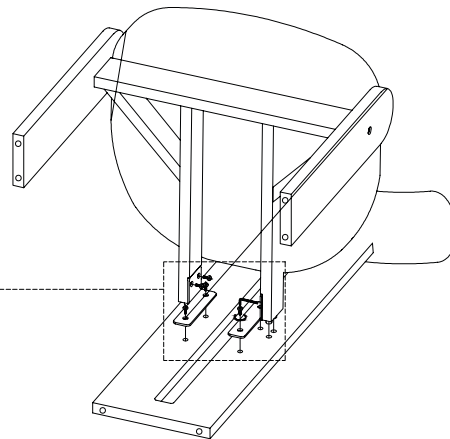
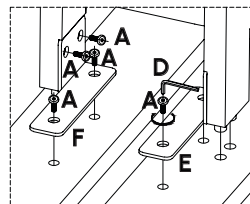
### STEP 1



### STEP 2



### STEP 3



### STEP 4

