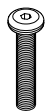


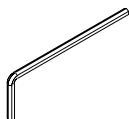
# ROVECONCEPTS

## TORO LOUNGE CHAIR ASSEMBLY INSTRUCTIONS

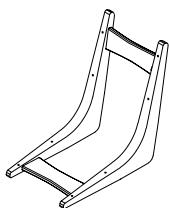
### HARDWARE



A1  
x8  
M6\*60



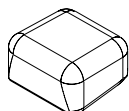
A2  
x1  
M4\*30\*60



B1  
x1

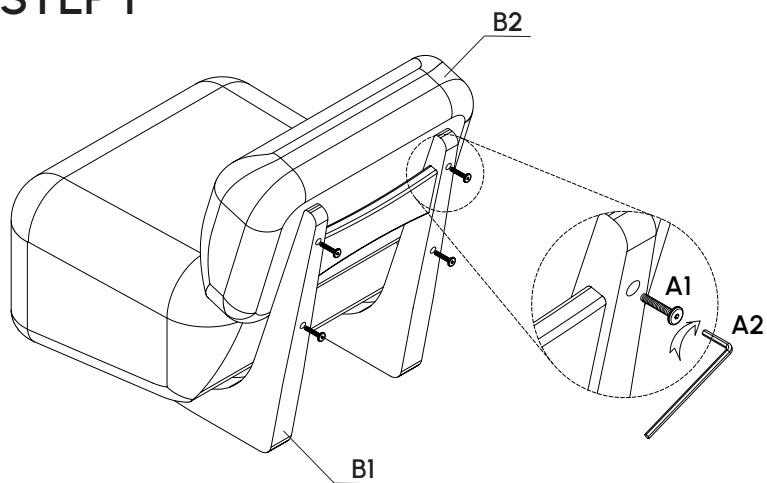


B2  
x1

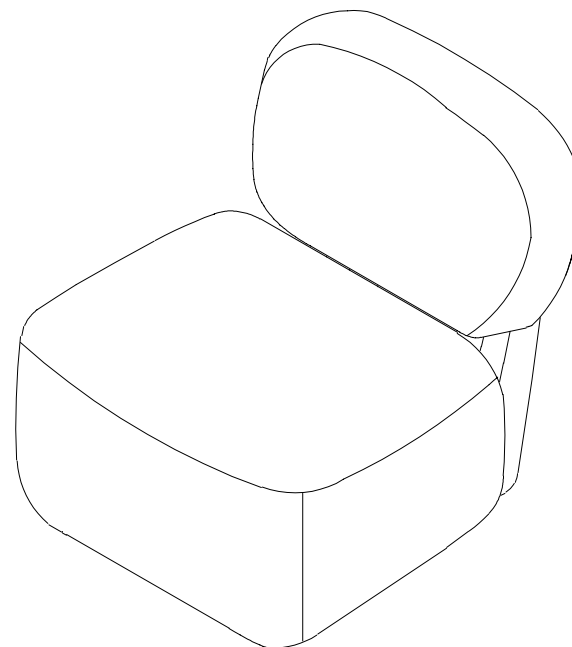


B3  
x1

### STEP 1



### STEP 3



### STEP 2

