

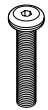
ROVECONCEPTS

TORO LOUNGE CHAIR ASSEMBLY INSTRUCTIONS

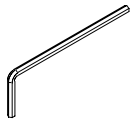
HARDWARE



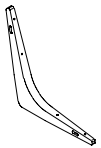
A
x4
M6*40



B
x8
M6*60



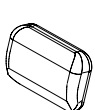
C
x1
M4*30*60



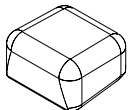
x2



x1

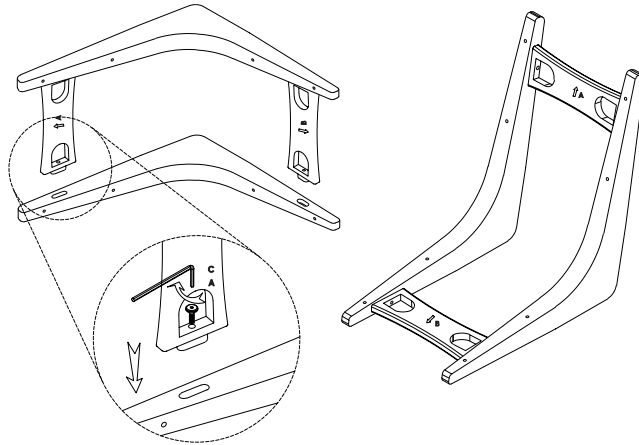


x1

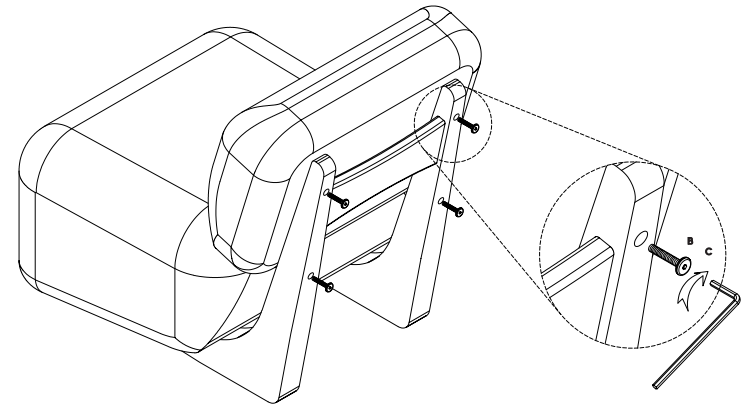


x1

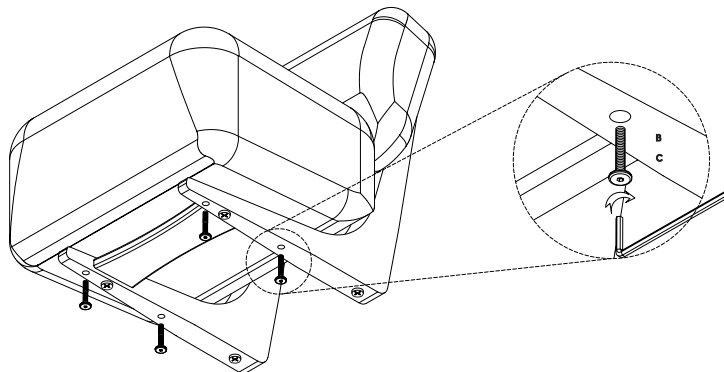
STEP 1



STEP 2



STEP 3



STEP 4

