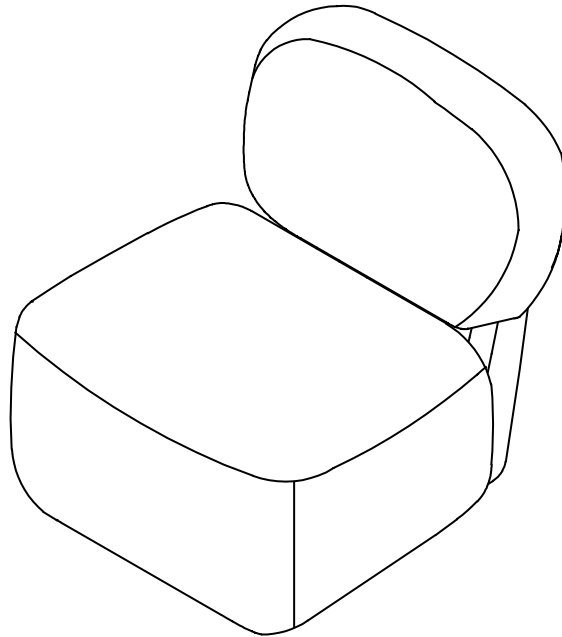


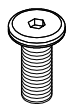
ROVECONCEPTS

kaye COLLECTION



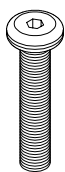
**TORO LOUNGE CHAIR
ASSEMBLY INSTRUCTIONS**

HARDWARE



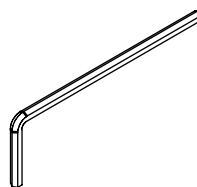
A

x4
M6*40



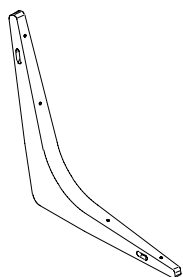
B

x8
M6*60

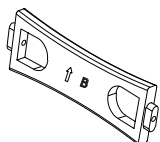
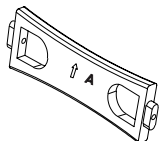


C

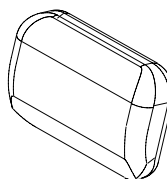
x1
M4*30*60



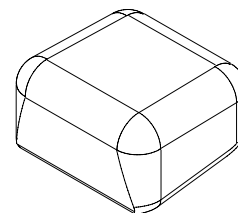
x2



x1

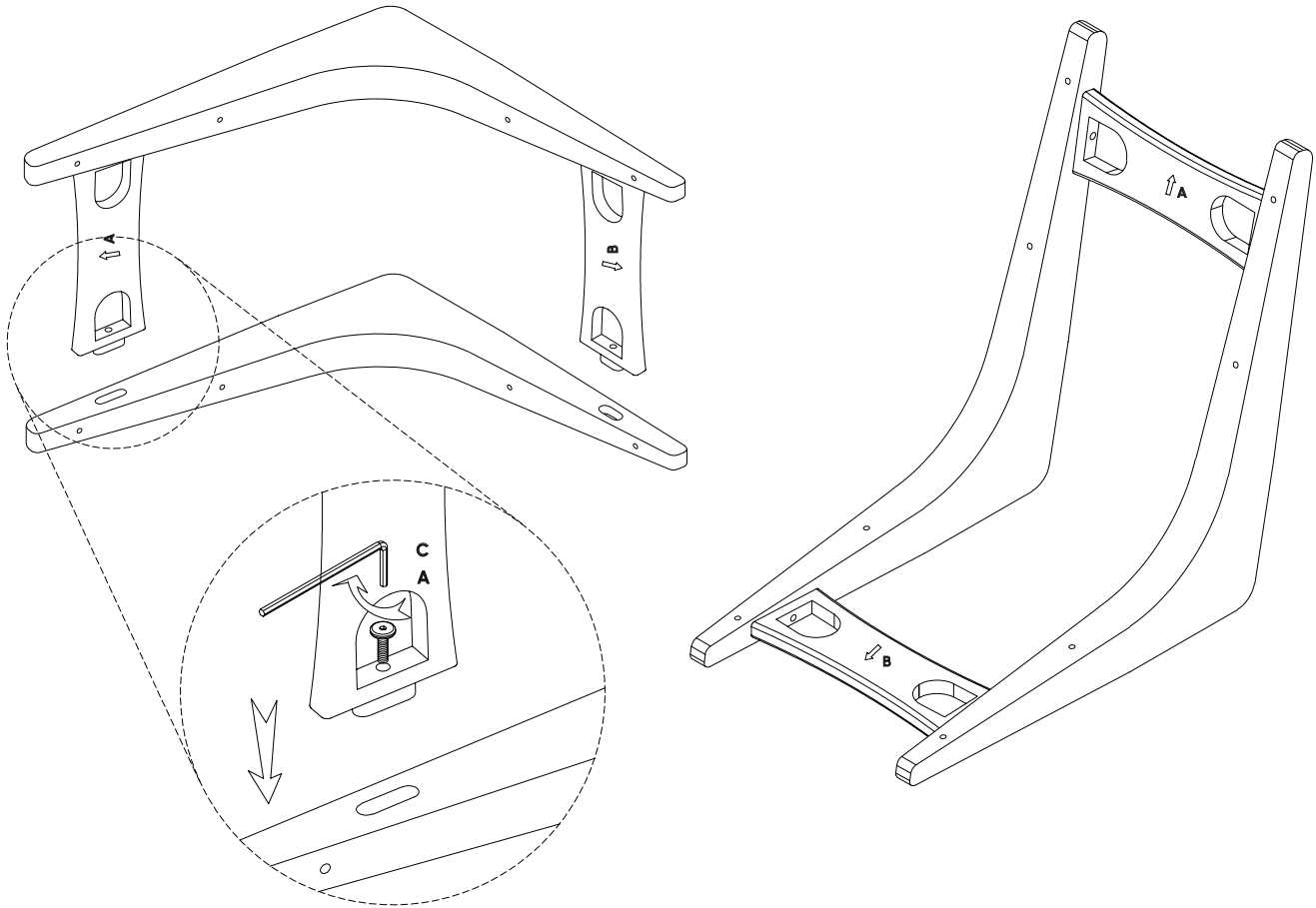


x1

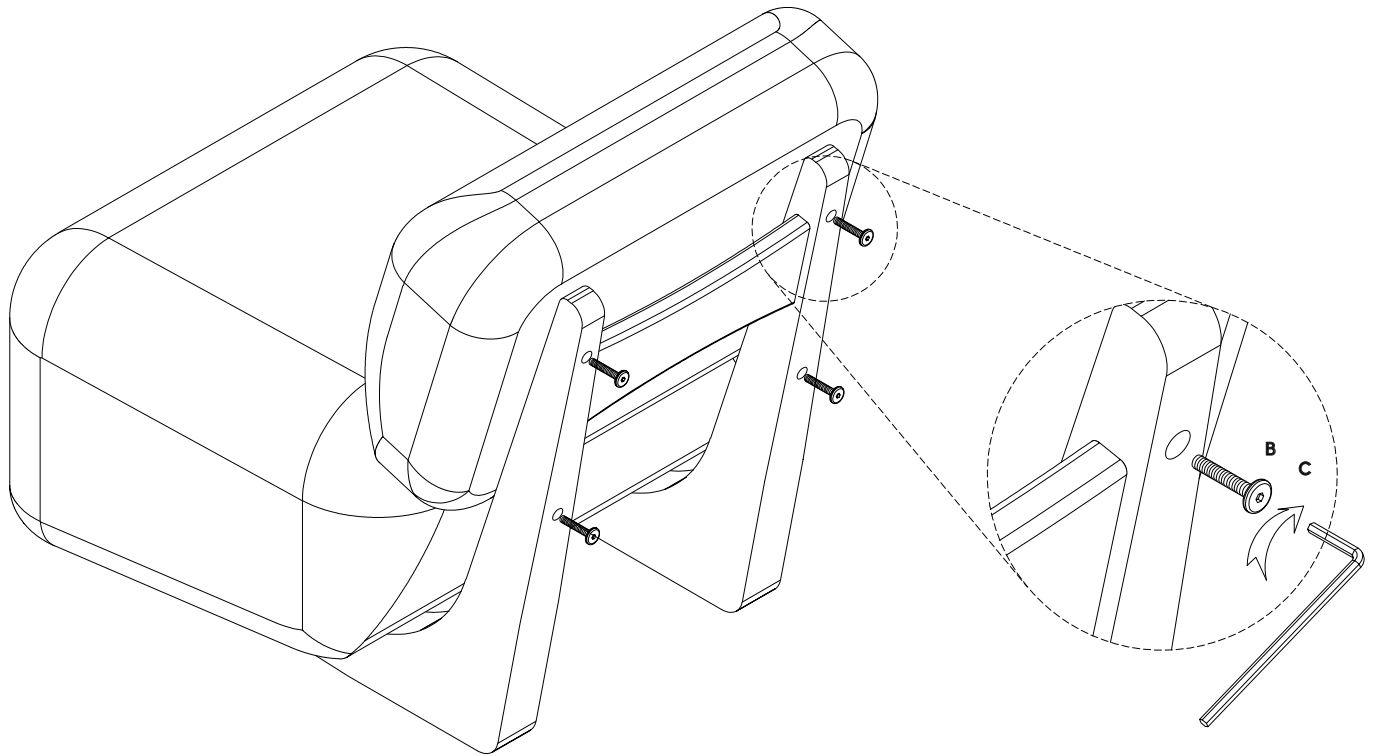


x1

STEP 1



STEP 2



STEP 3

