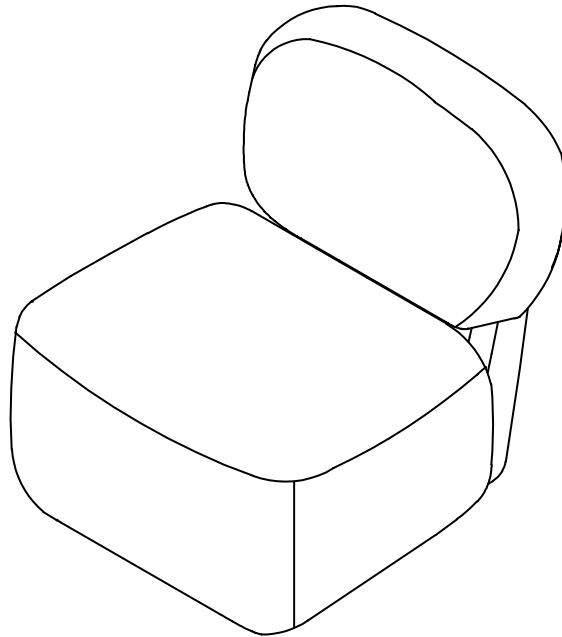


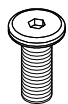


kaye



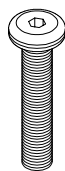
**TORO LOUNGE CHAIR
ASSEMBLY INSTRUCTIONS**

HARDWARE



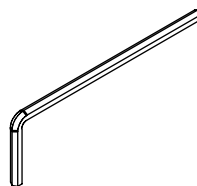
A

x4
M6*40



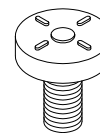
B

x8
M6*60



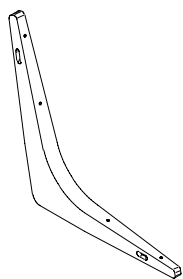
C

x1
M4*30*107

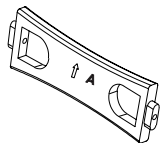


D

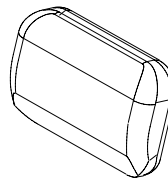
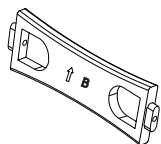
x4



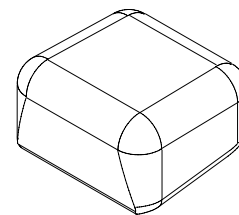
x2



x1

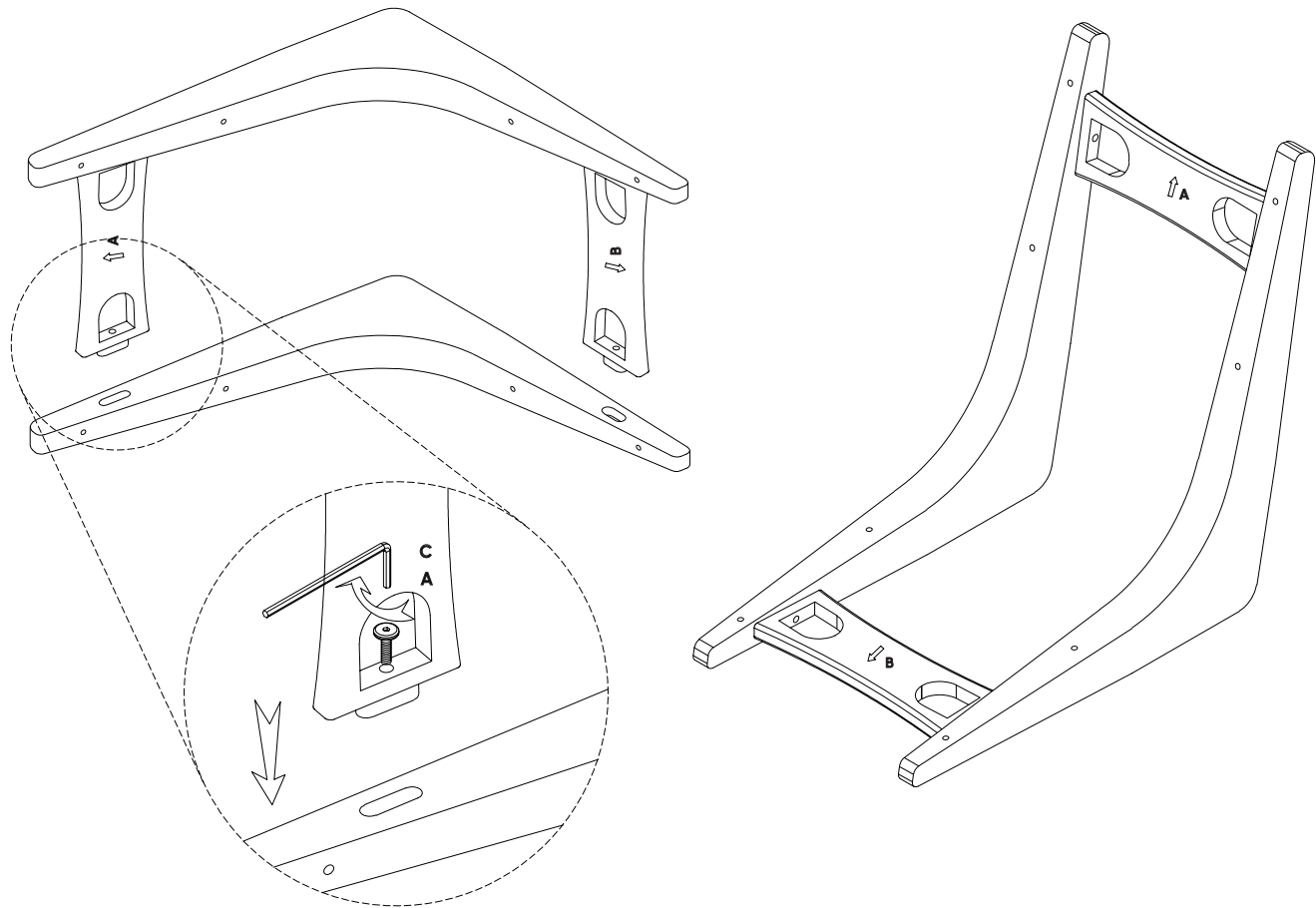


x1

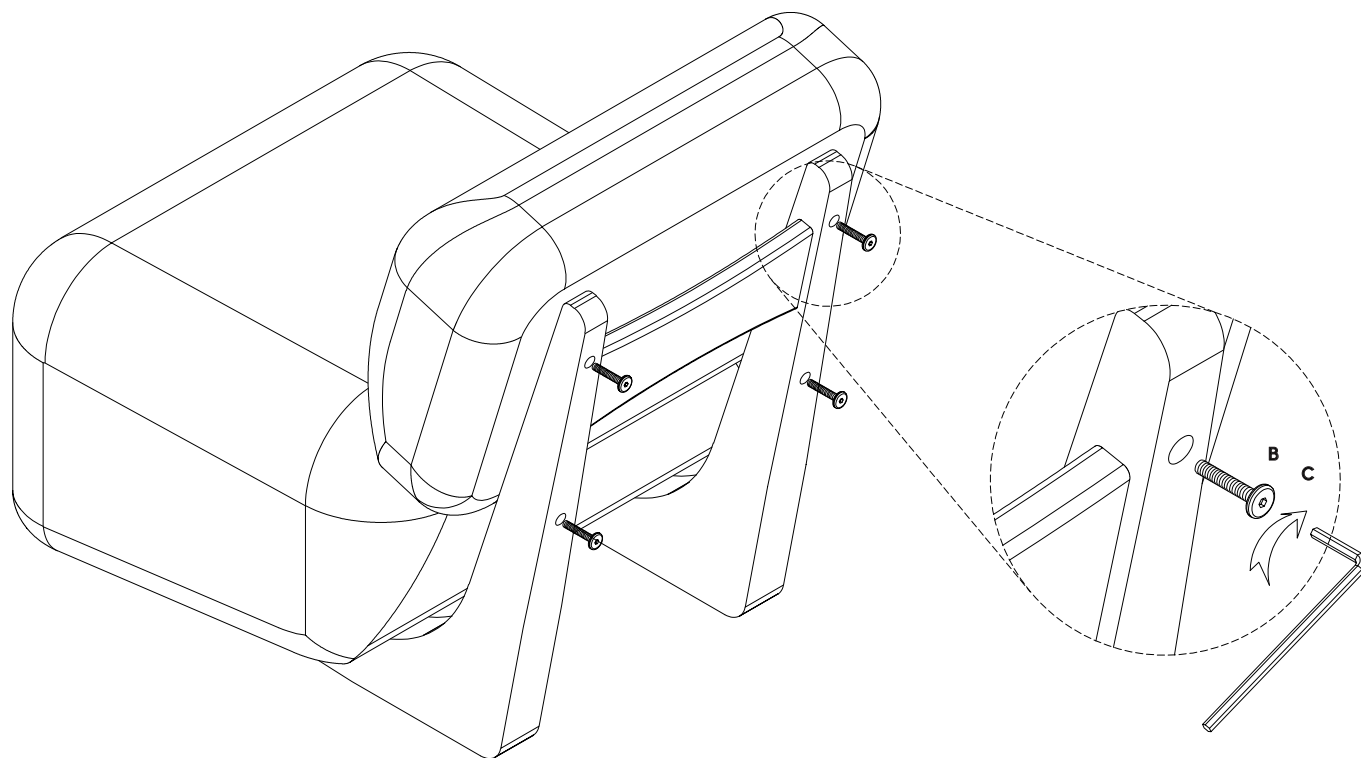


x1

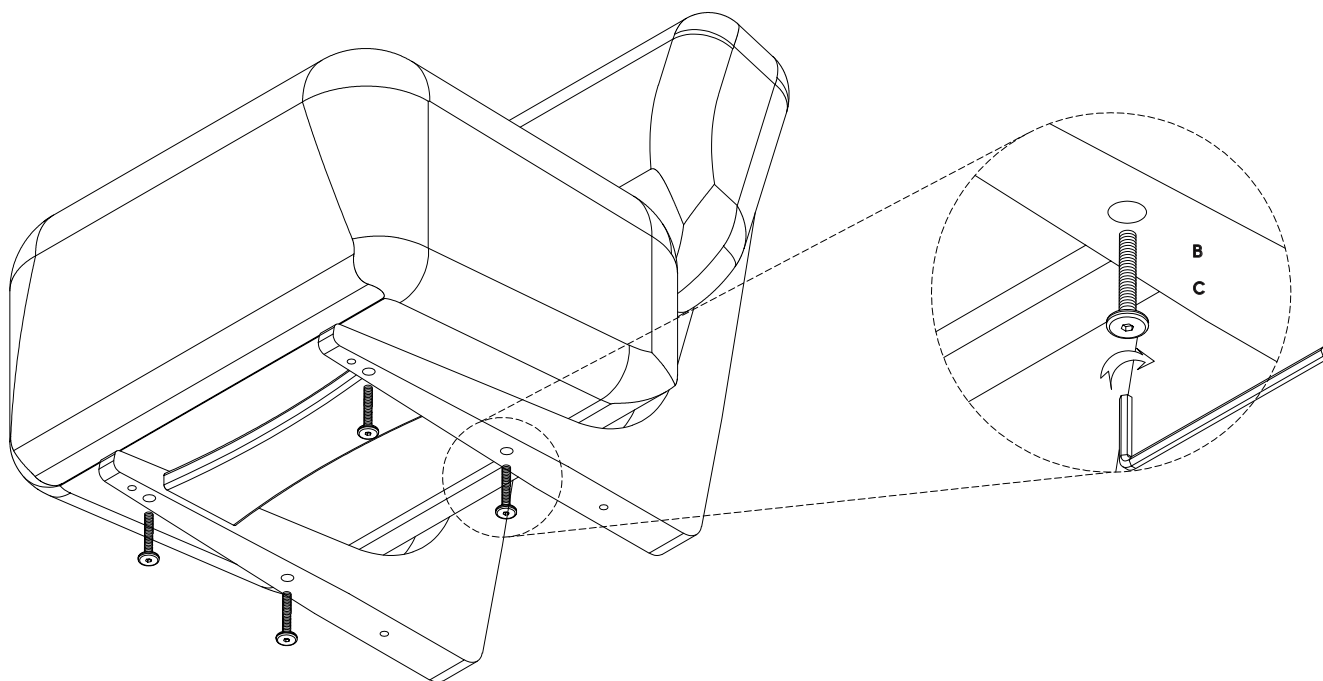
STEP 1



STEP 2



STEP 3



STEP 4

