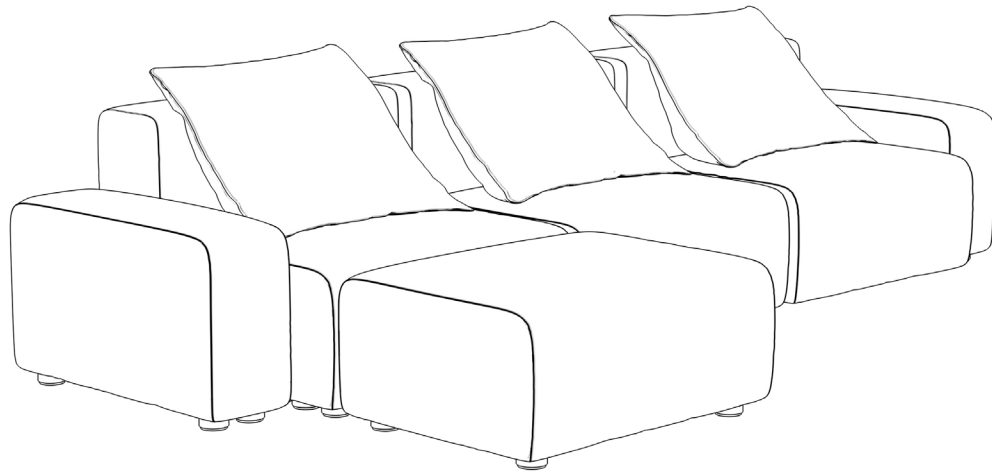


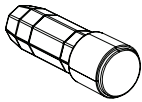
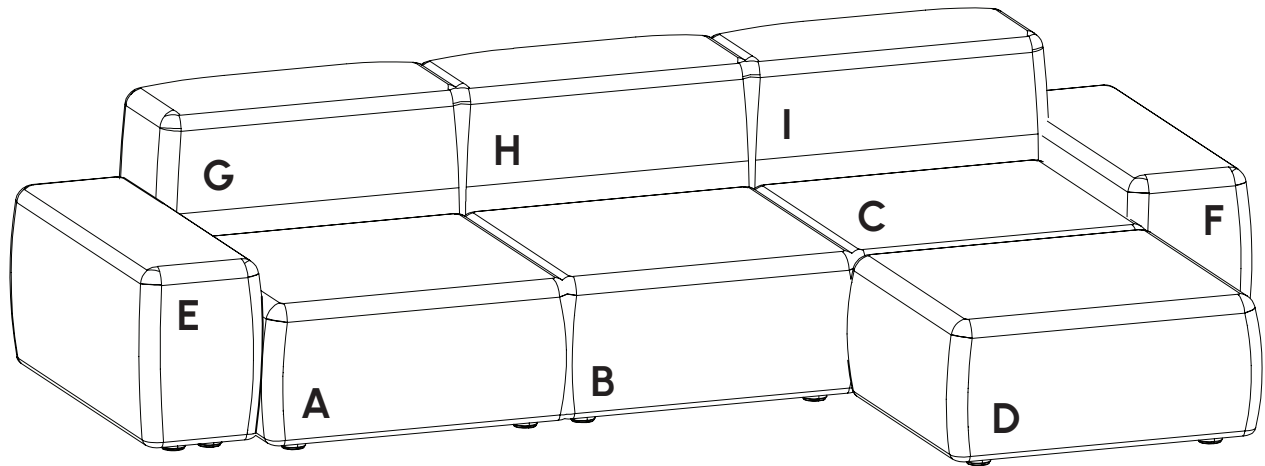
# ROVECONCEPTS

Refined Luxury Living



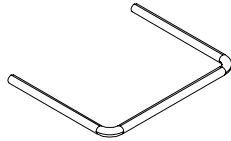
## **KAYE MODULAR COLLECTION ASSEMBLY INSTRUCTIONS**

# HARDWARE



**J**

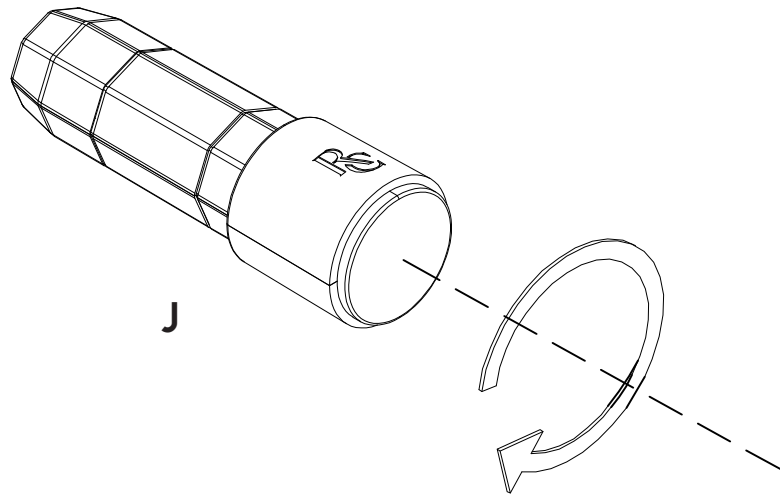
x38



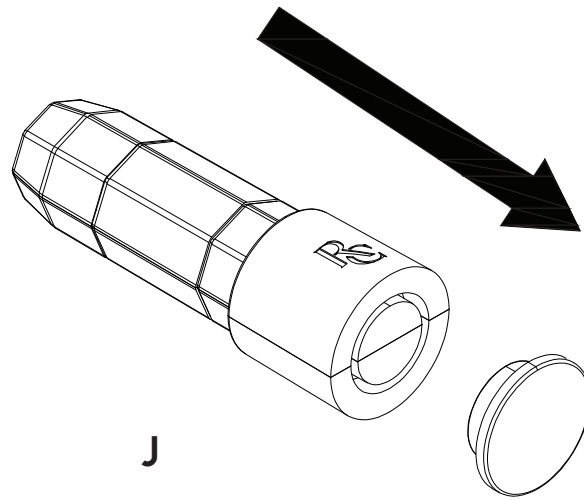
**K**

x18

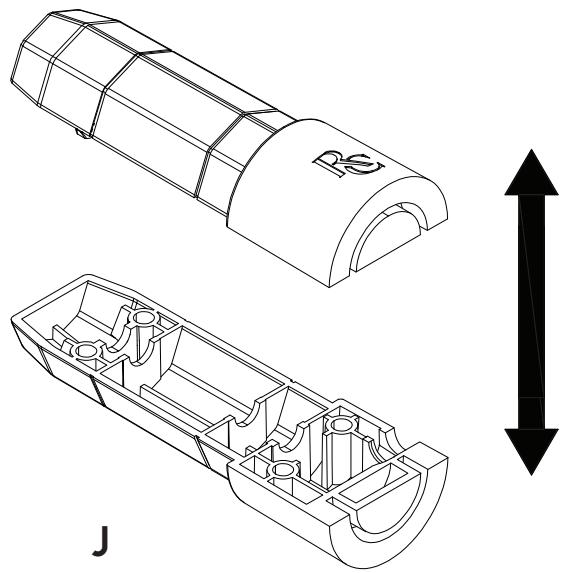
# STEP 1



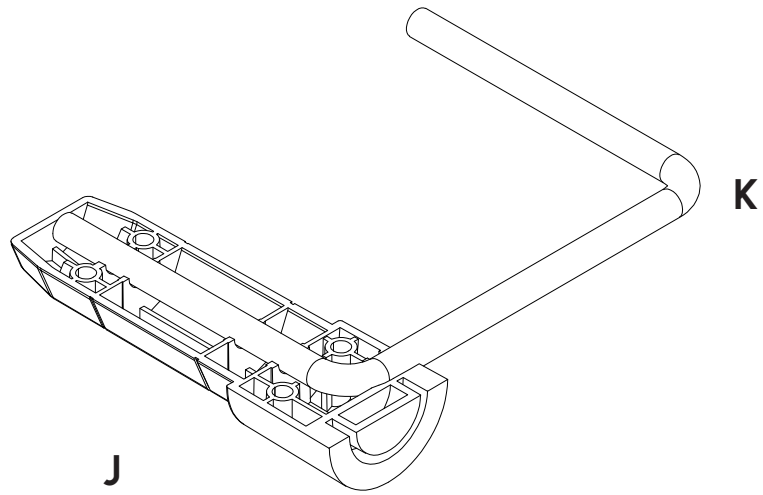
# STEP 2



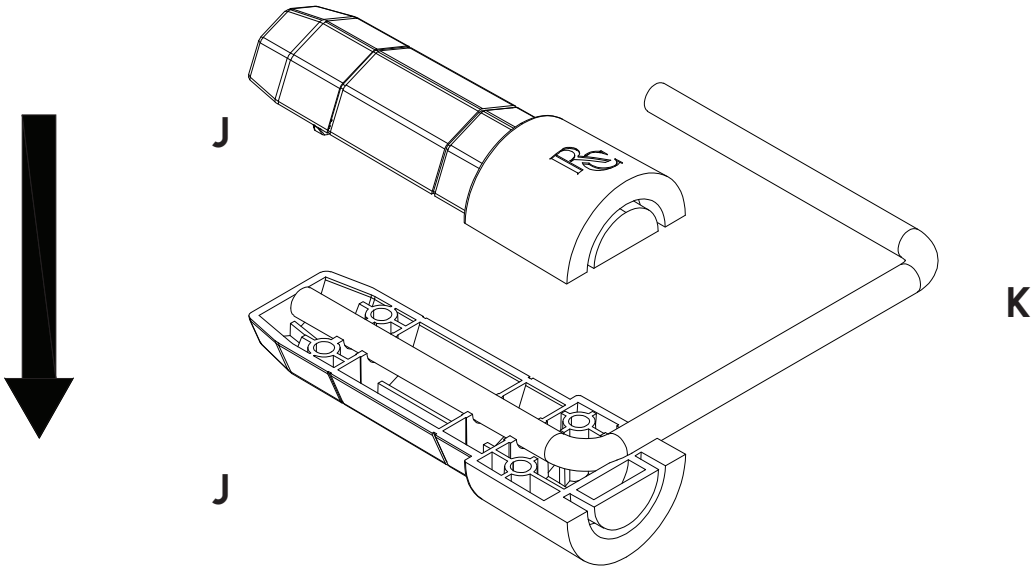
# STEP 3



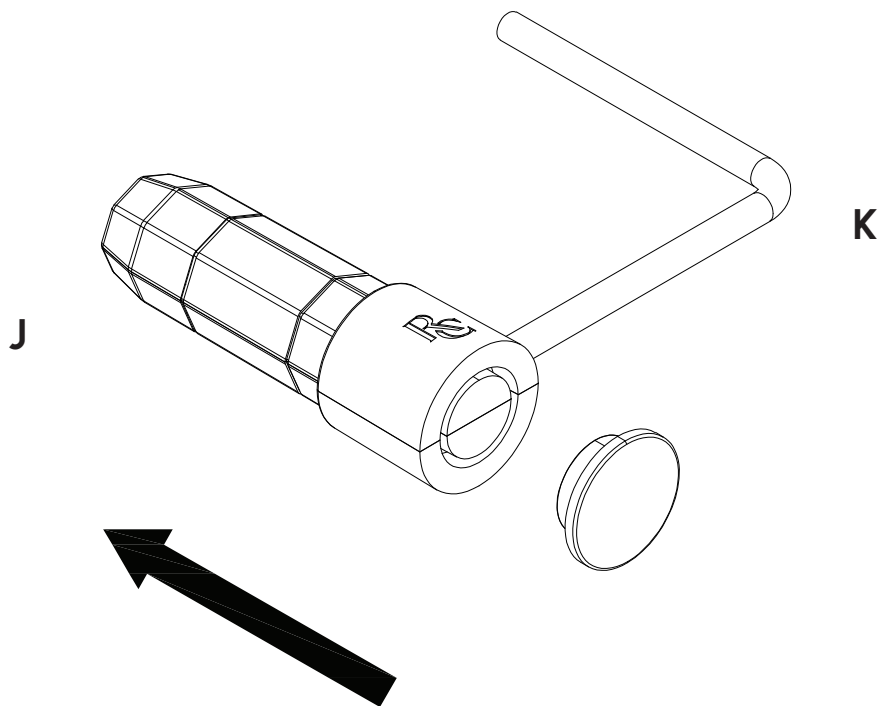
# STEP 4



# STEP 5

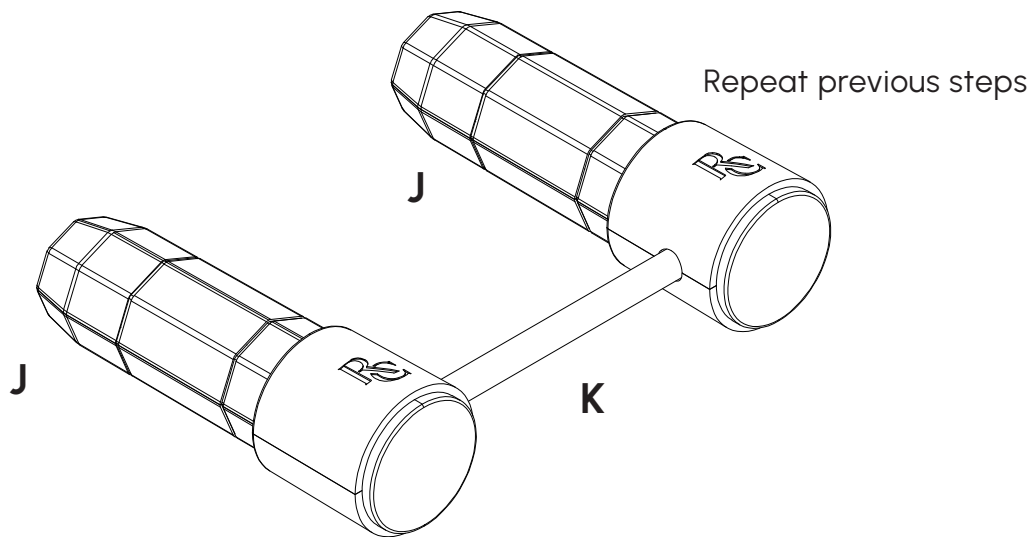


# STEP 6

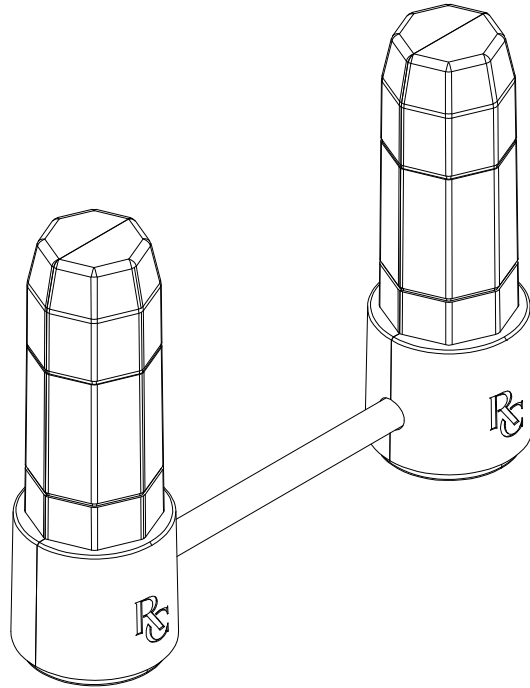




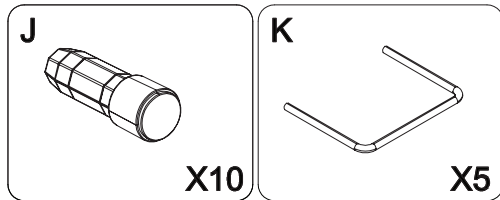
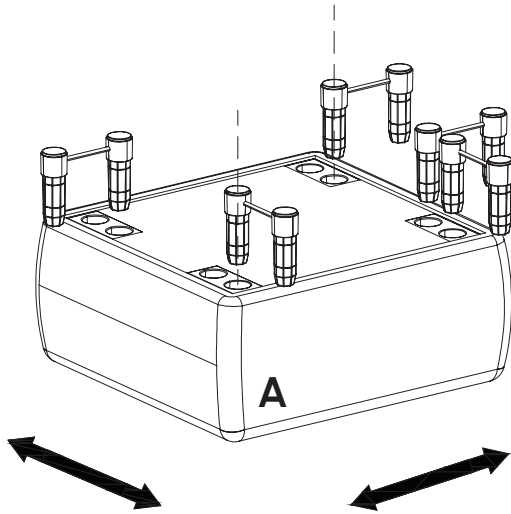
# STEP 7



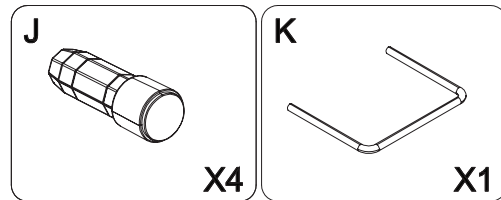
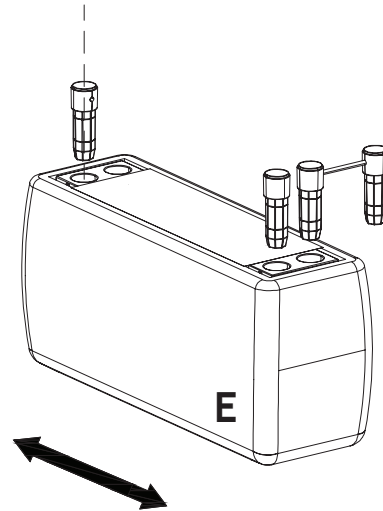
# STEP 8



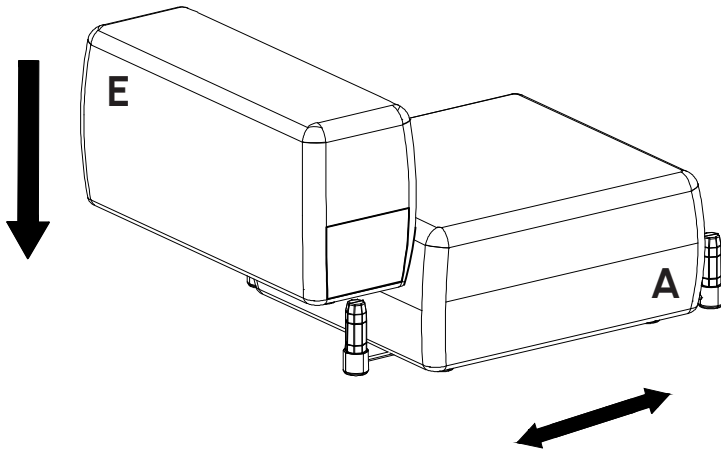
# STEP 9



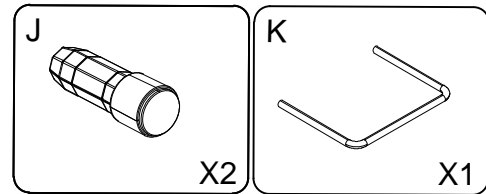
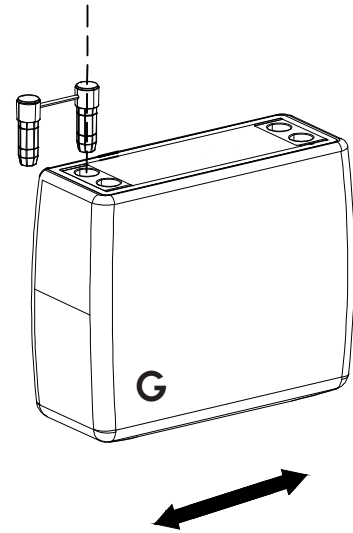
# STEP 10



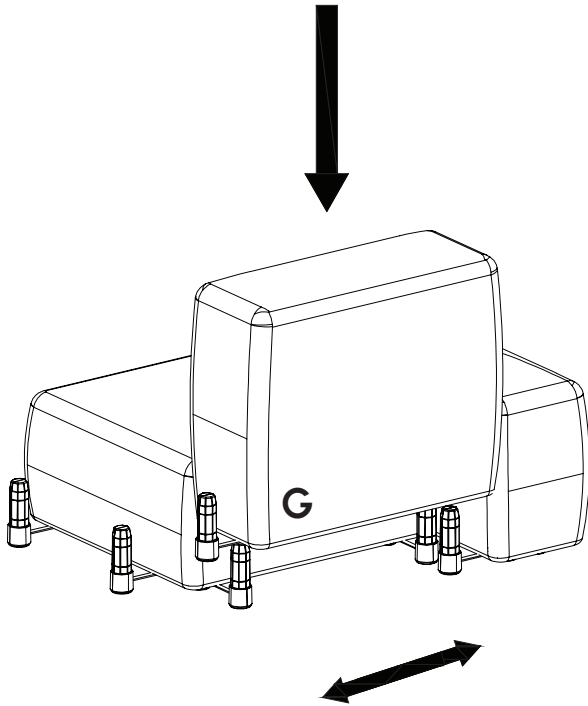
# STEP 11



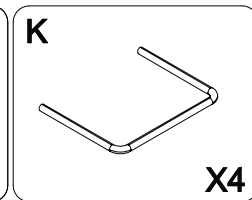
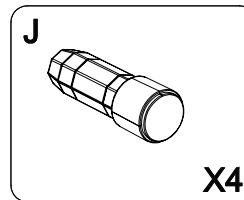
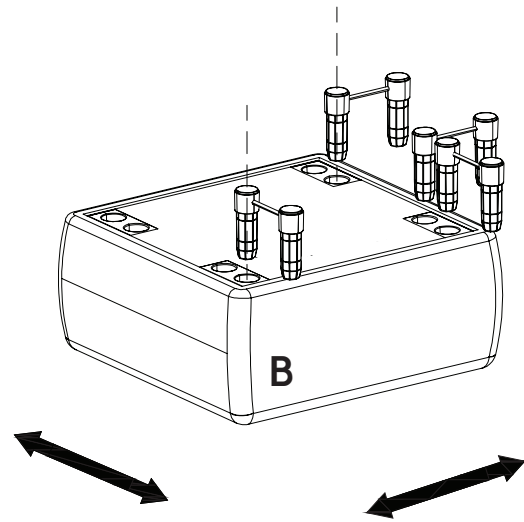
# STEP 12



# STEP 13

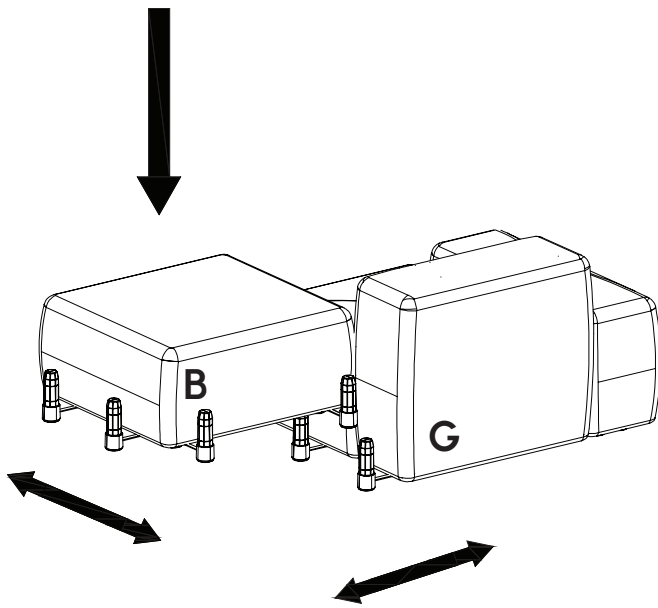


# STEP 14

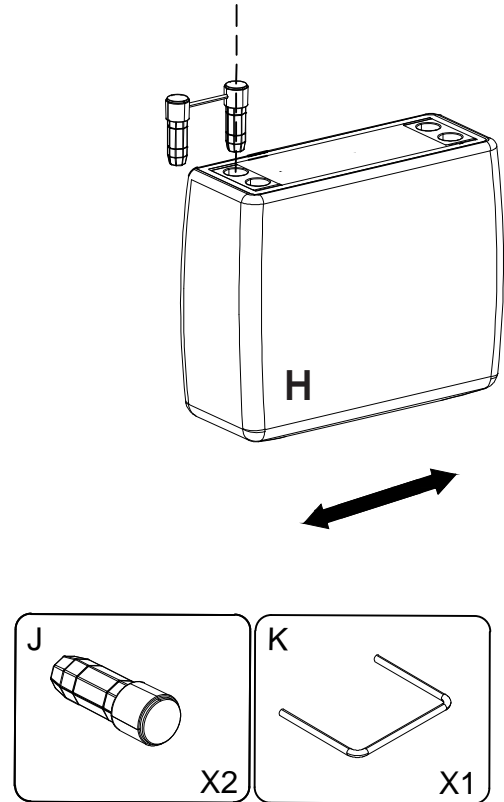


To ensure proper assembly please note that only one side of the Kaye Backrest piece is soft, without a seam, and intended for the front of the backrest

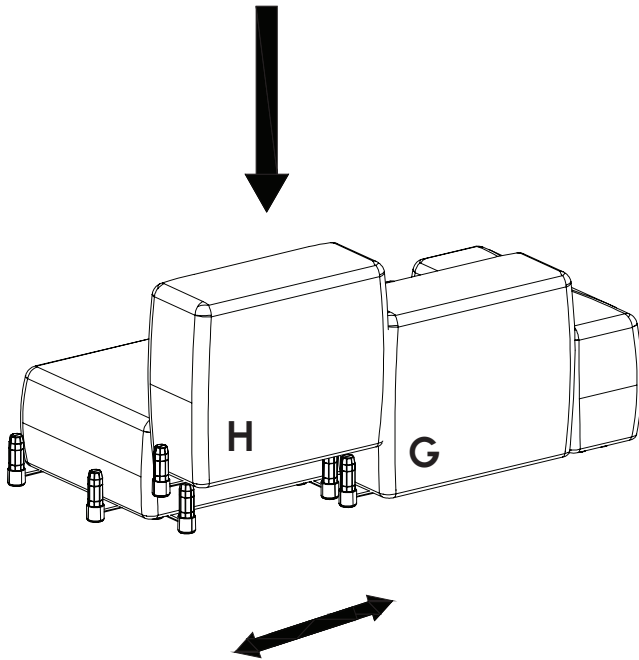
# STEP 15



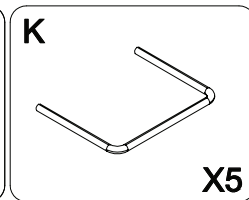
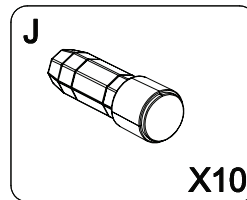
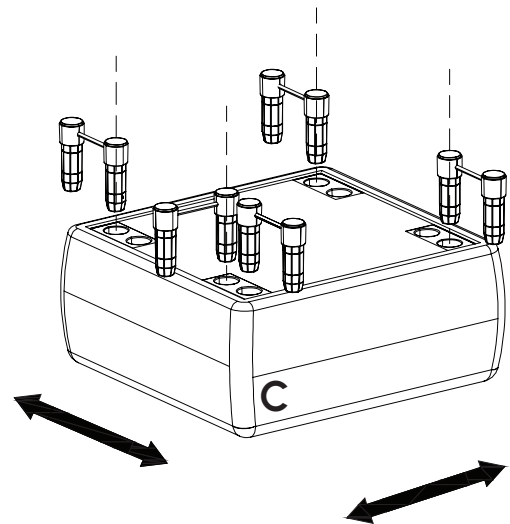
# STEP 16



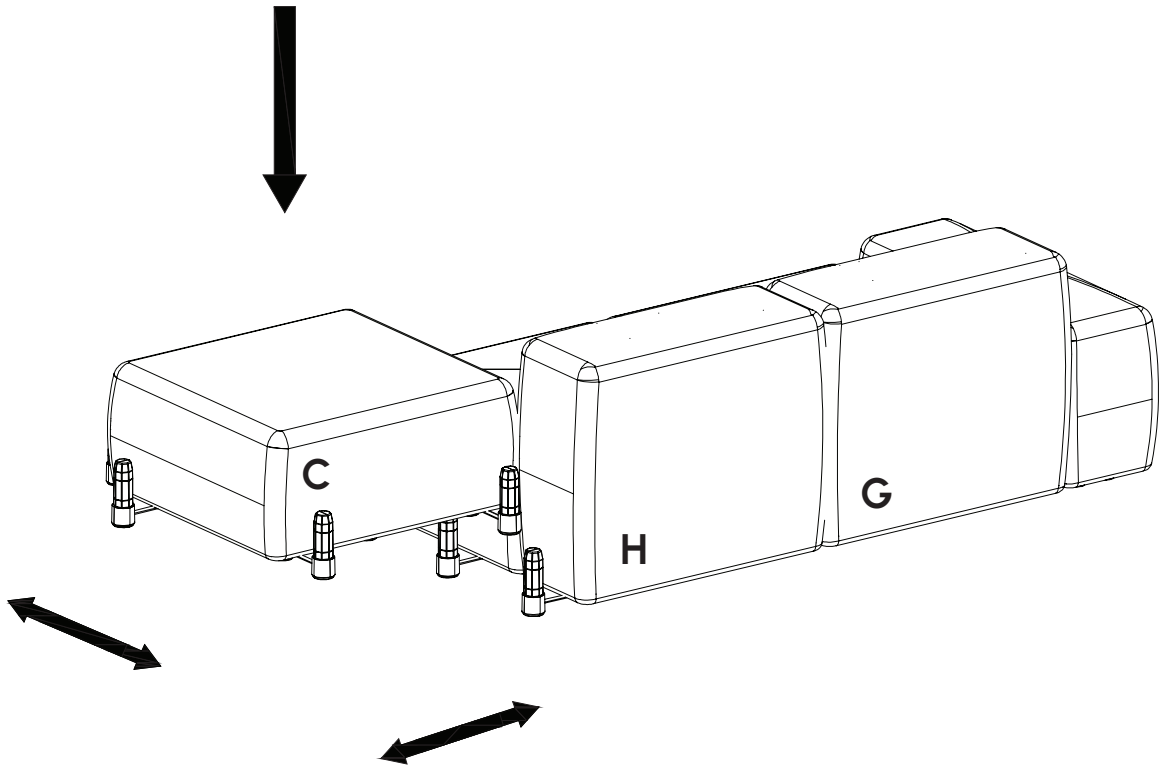
# STEP 17



# STEP 18

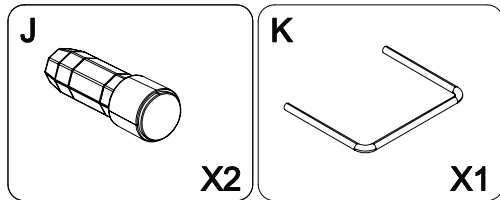
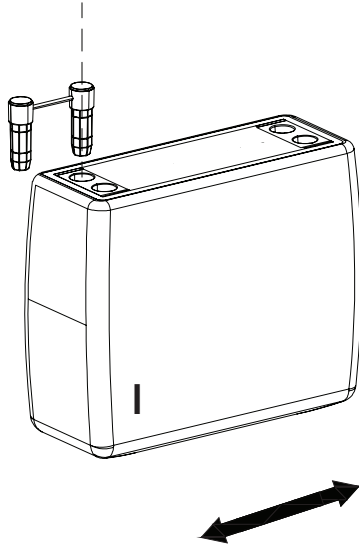


# STEP 19

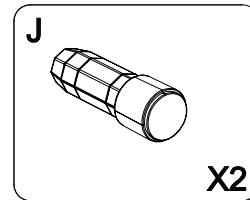
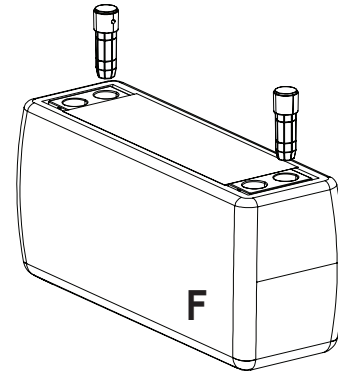




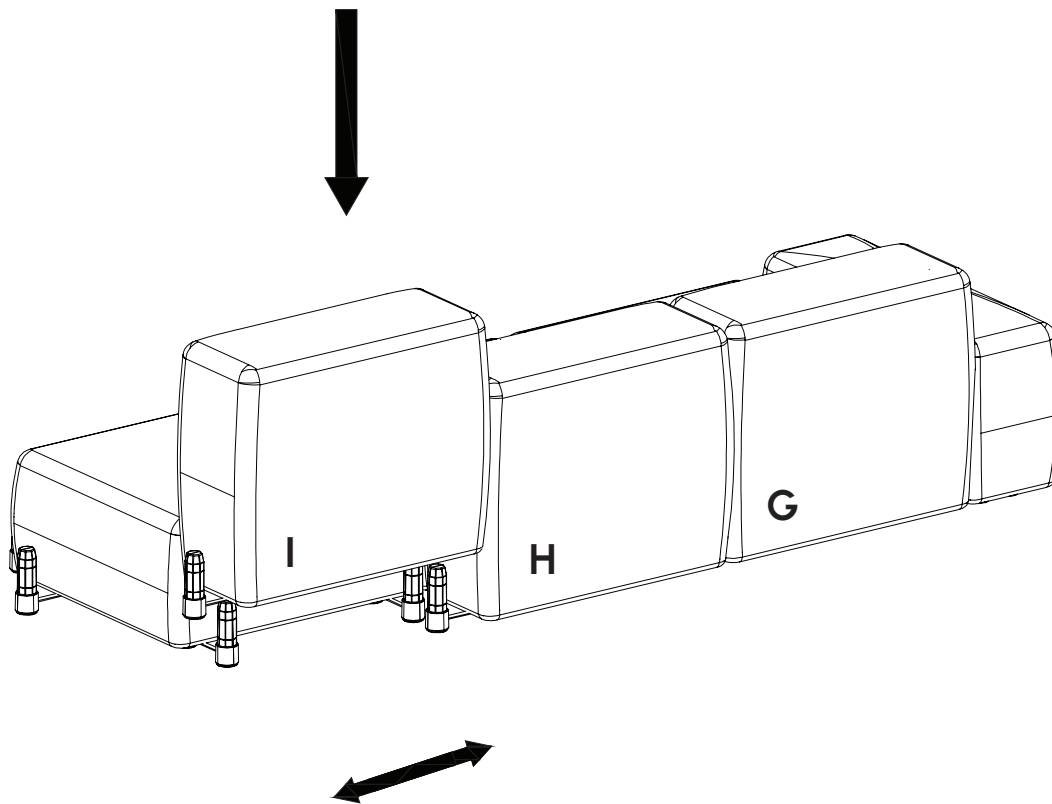
# STEP 20



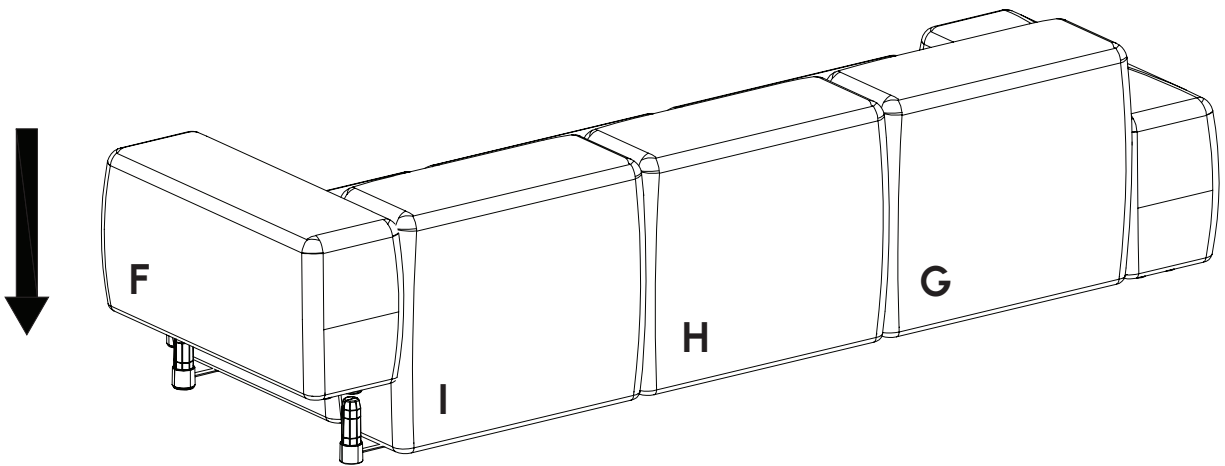
# STEP 21



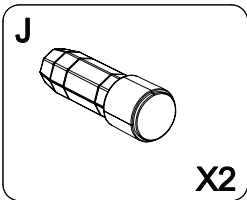
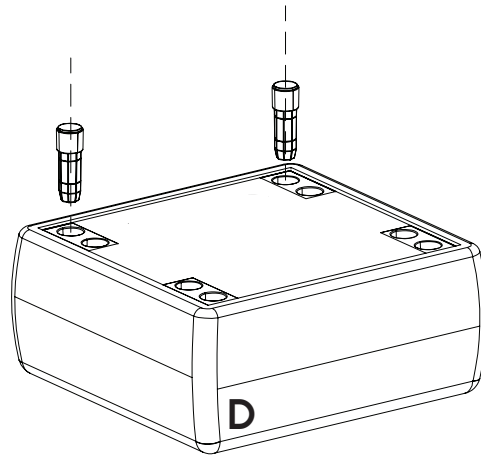
# STEP 22



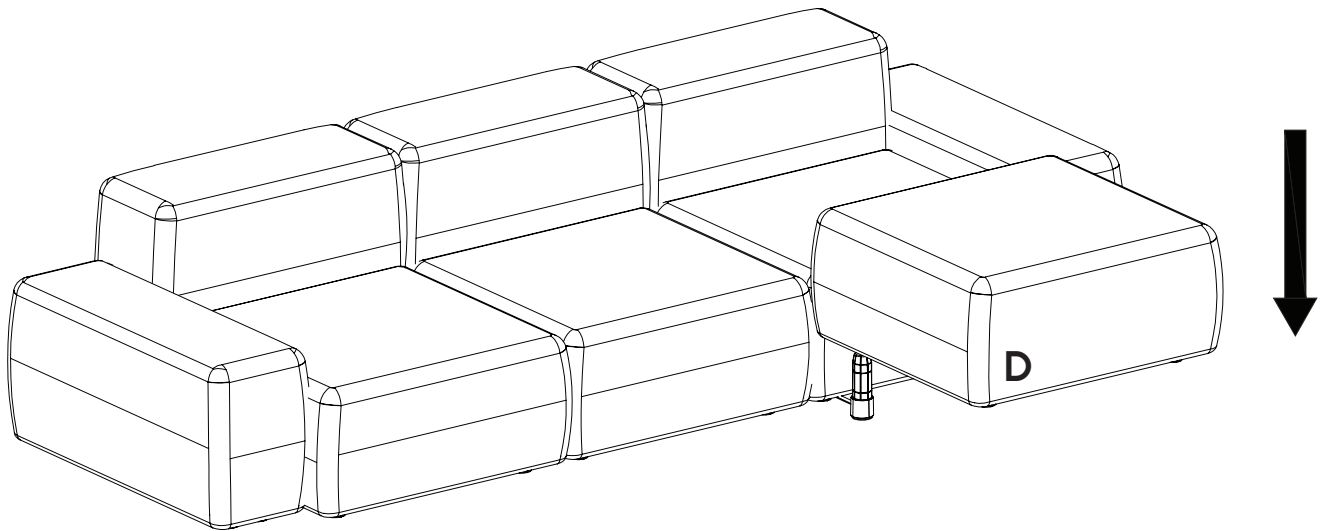
# STEP 23



# STEP 24



# STEP 25



# STEP 26

