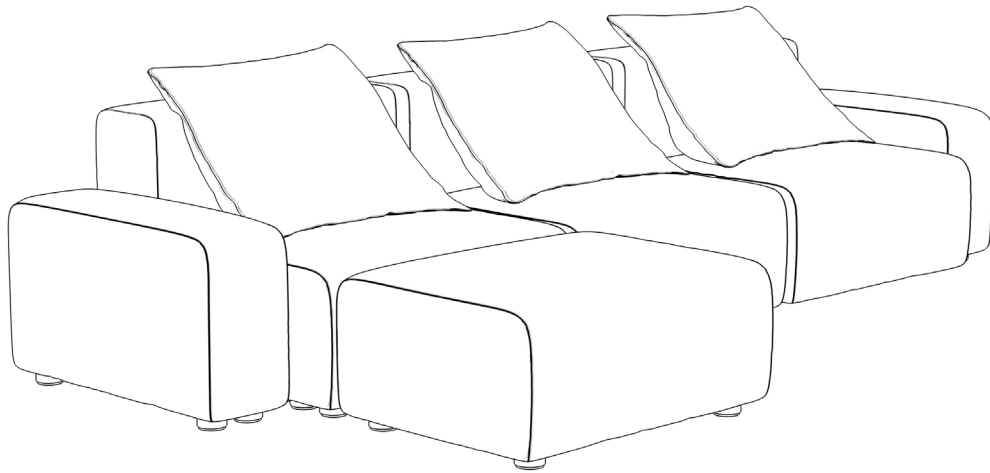


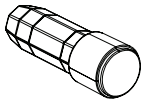
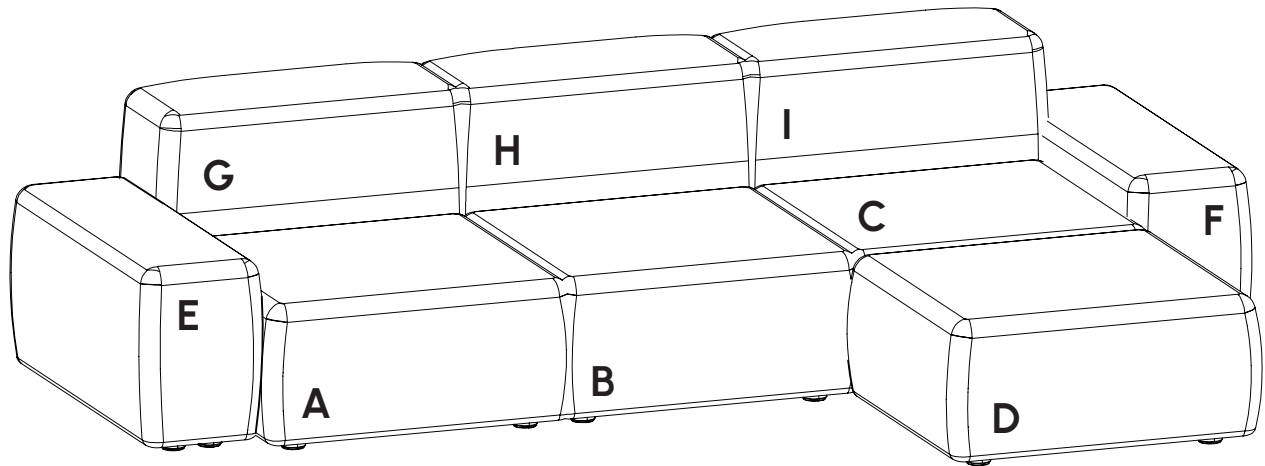
ROVECONCEPTS

Refined Luxury Living



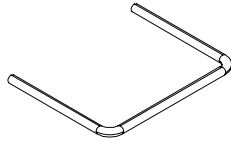
**KAYE MODULAR COLLECTION
ASSEMBLY INSTRUCTIONS**

HARDWARE



J

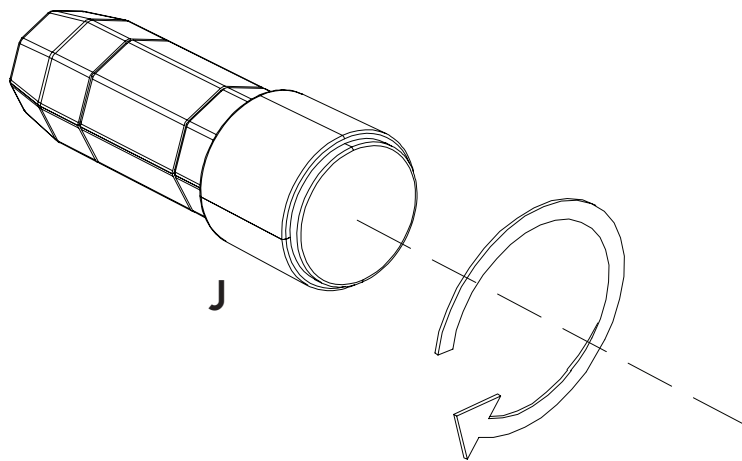
x40



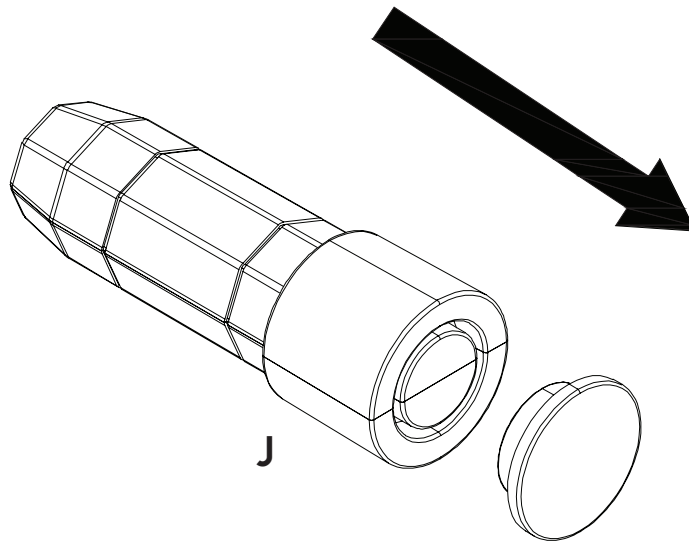
K

x18

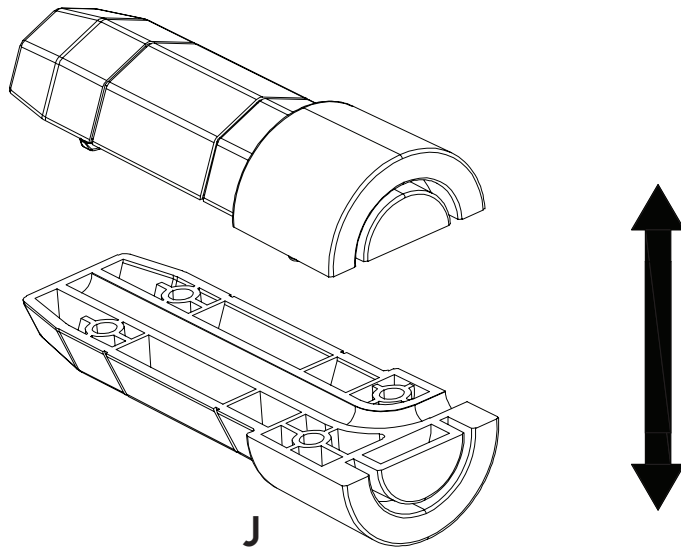
STEP 1



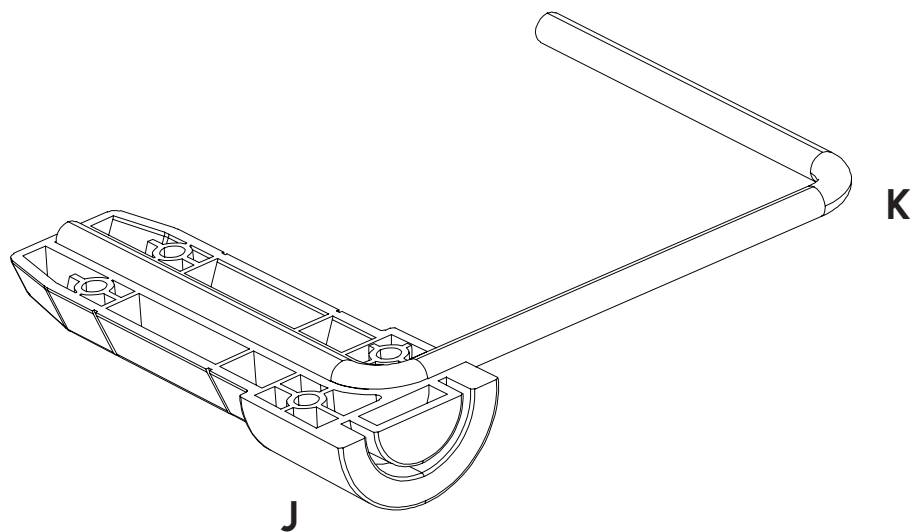
STEP 2



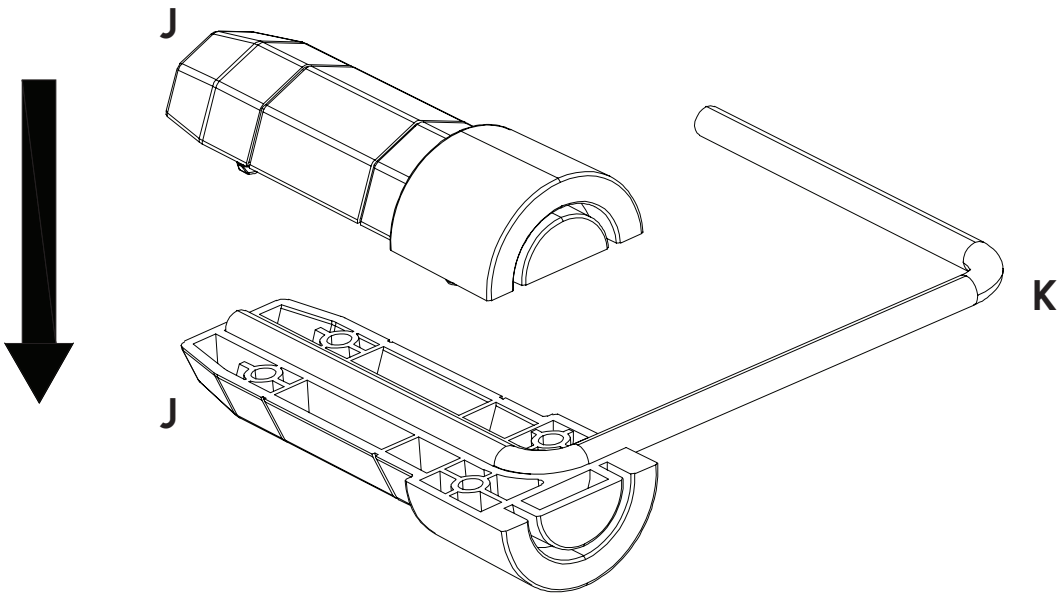
STEP 3



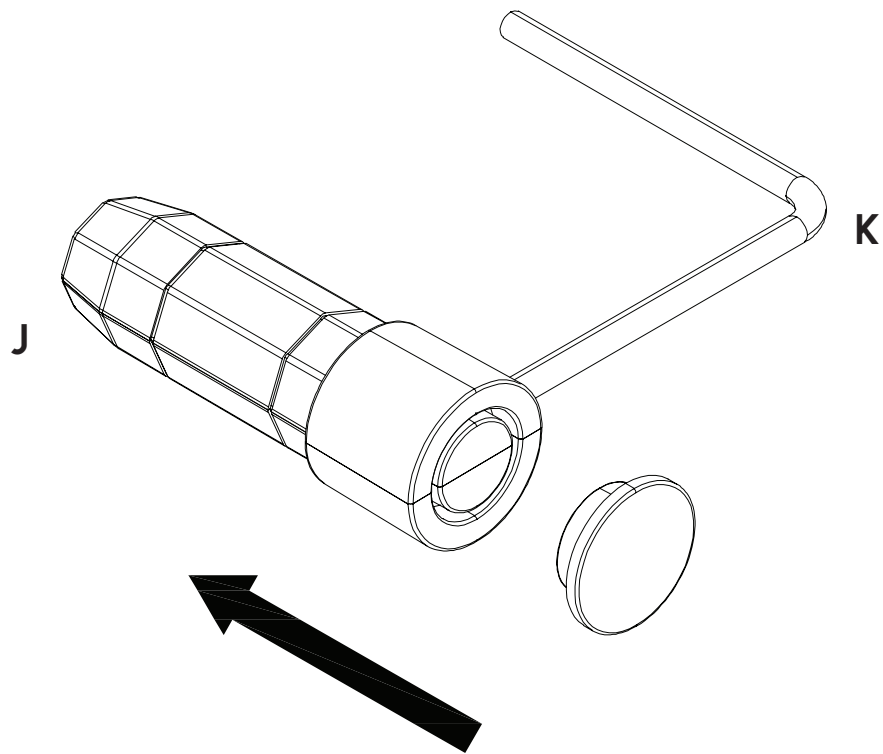
STEP 4



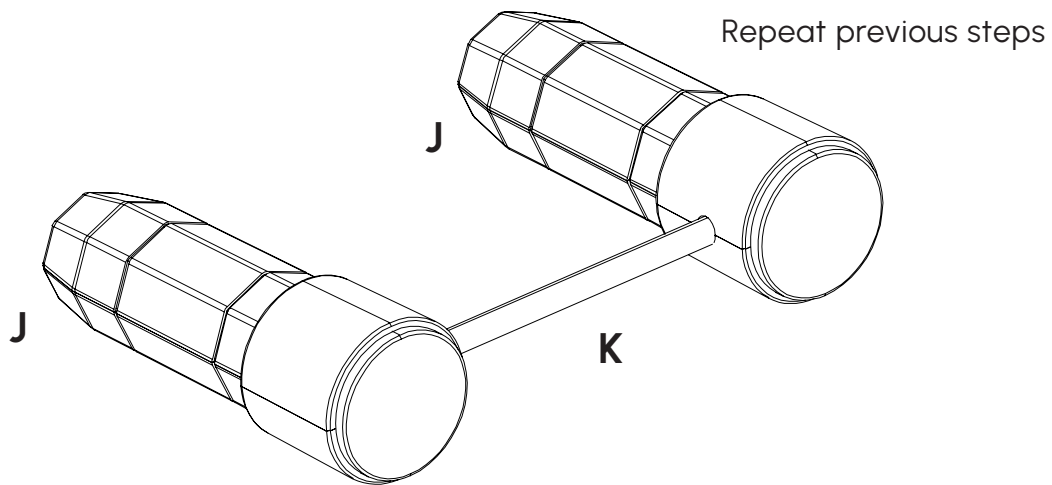
STEP 5



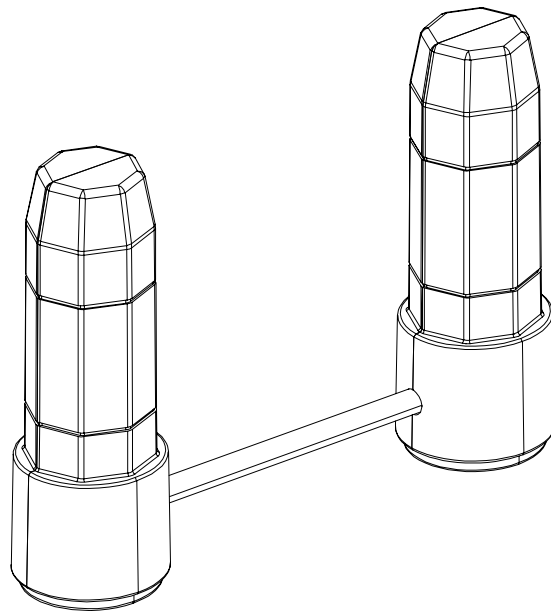
STEP 6



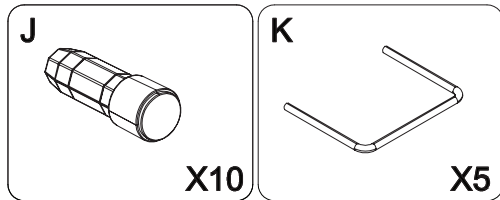
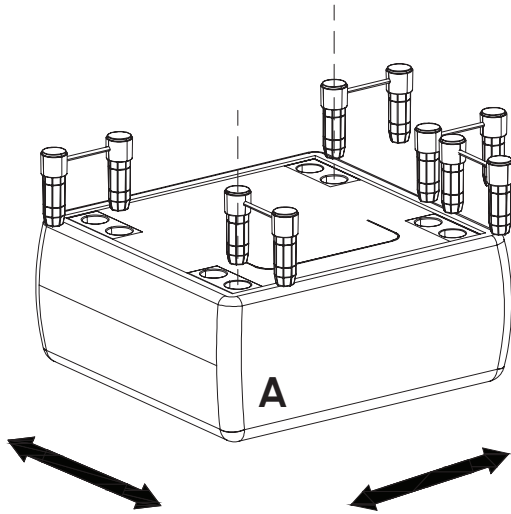
STEP 7



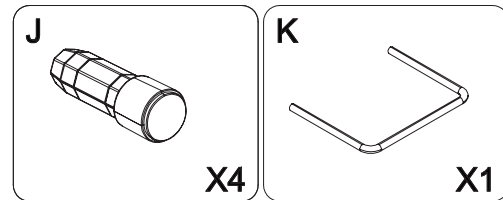
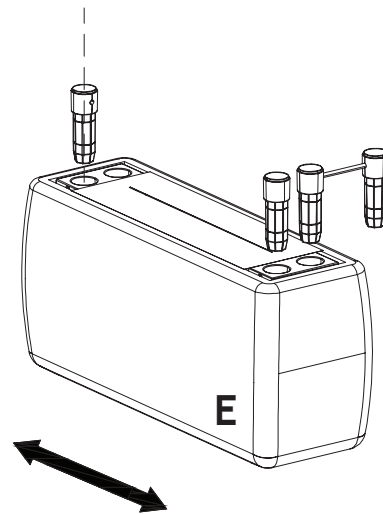
STEP 8



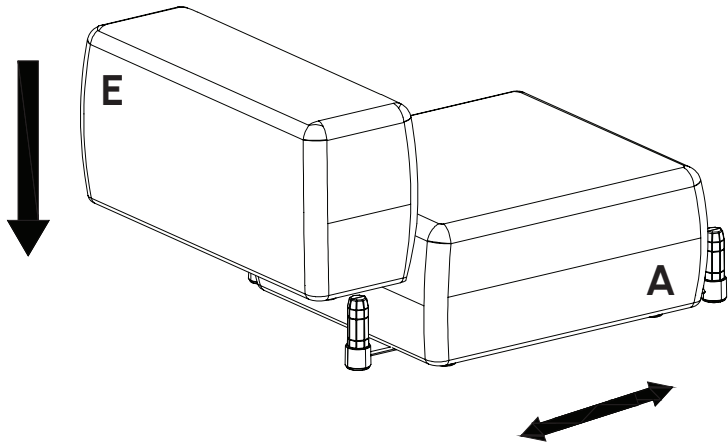
STEP 9



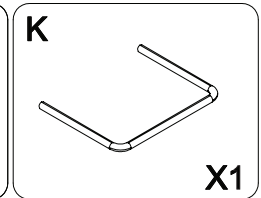
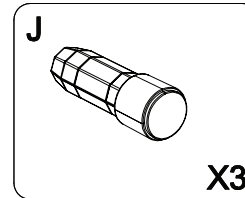
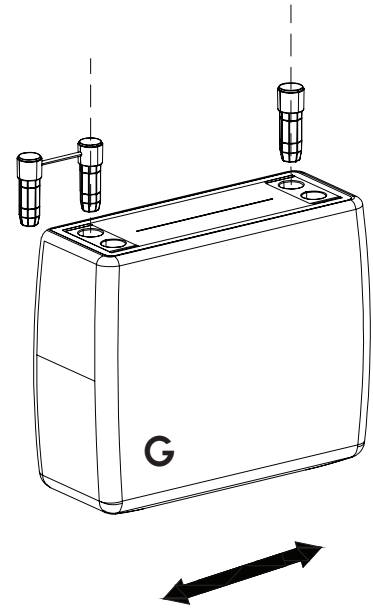
STEP 10



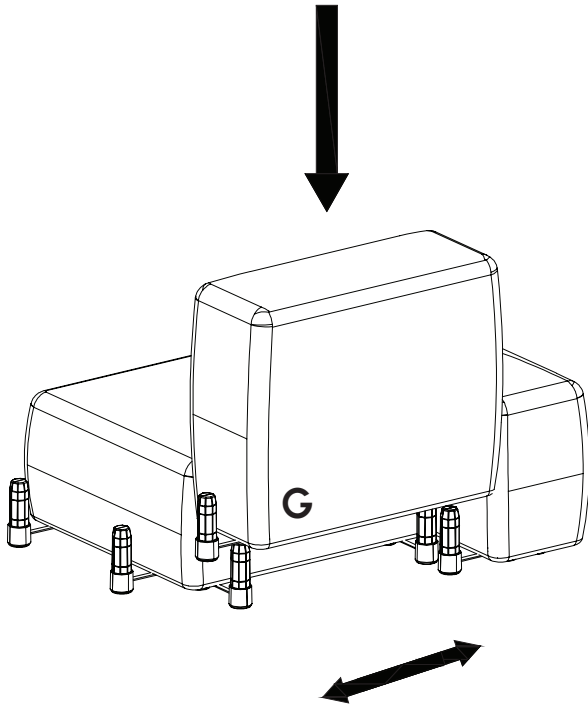
STEP 11



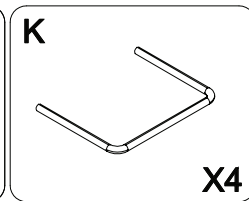
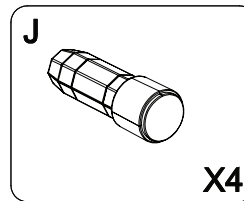
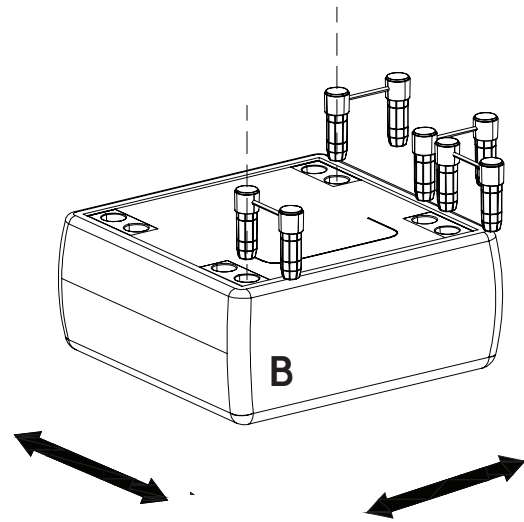
STEP 12



STEP 13

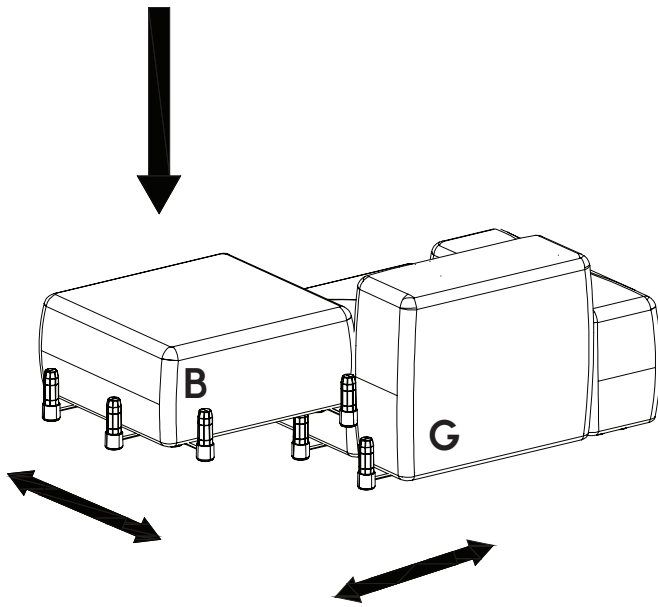


STEP 14

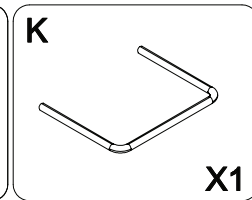
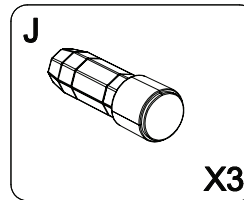
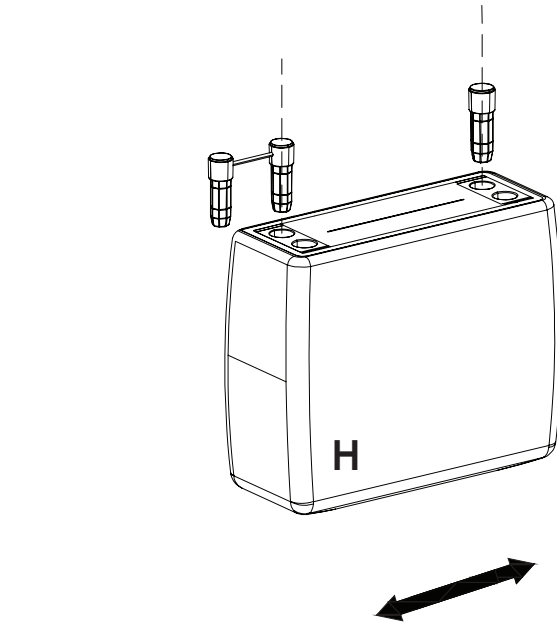


To ensure proper assembly please note that only one side of the Kaye Backrest piece is soft, without a seam, and intended for the front of the backrest.

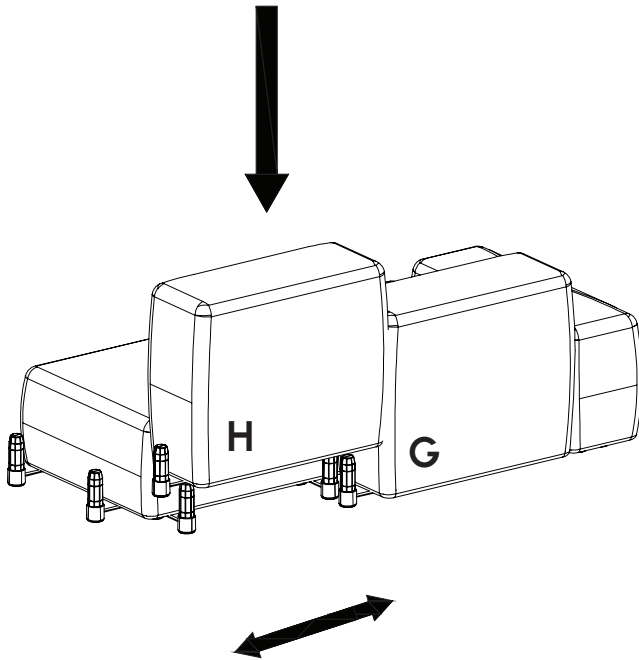
STEP 15



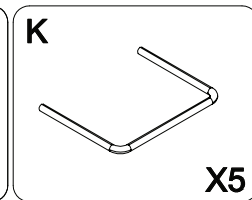
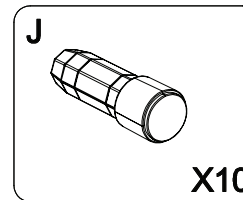
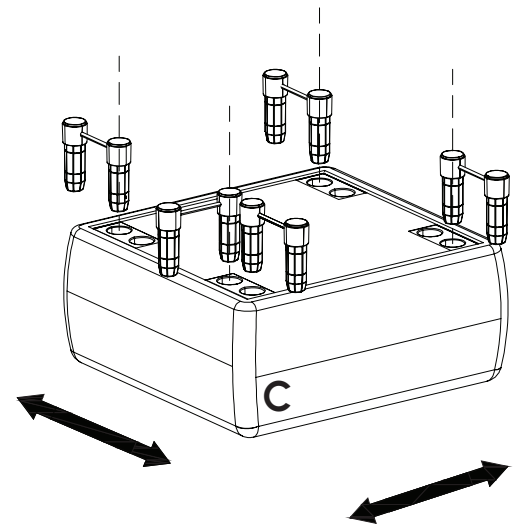
STEP 16



STEP 17

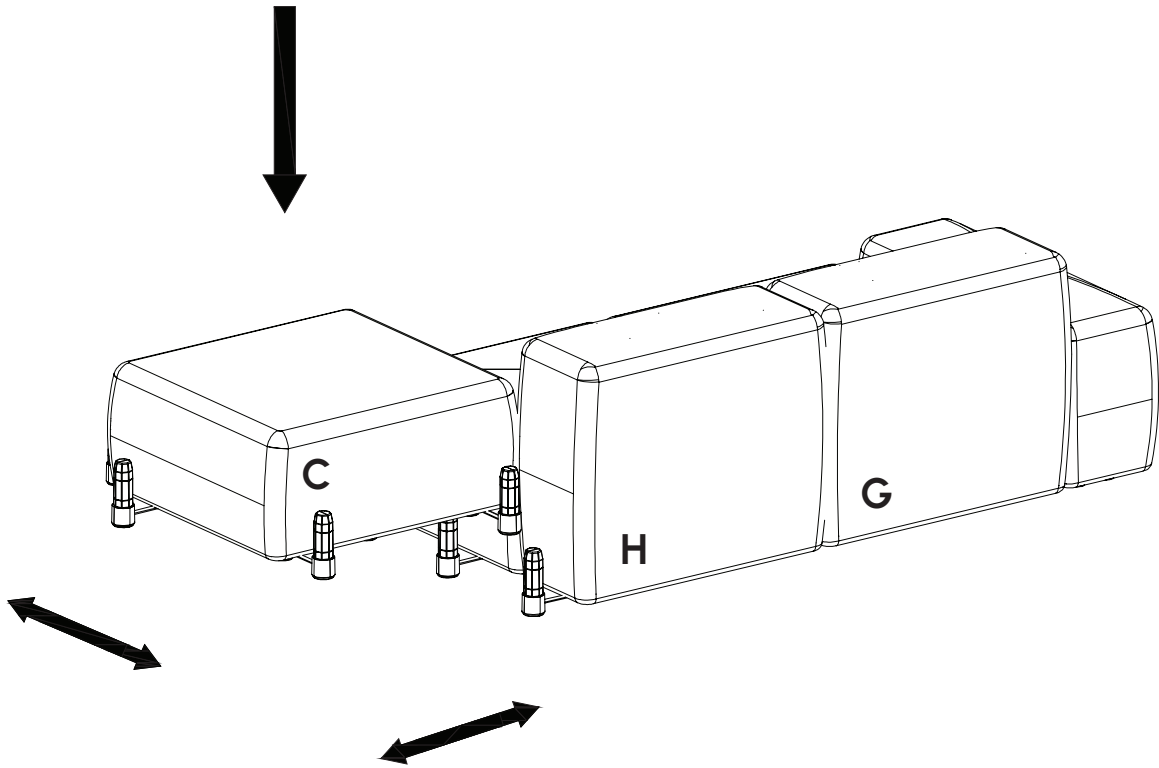


STEP 18

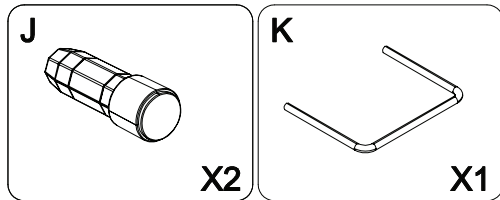
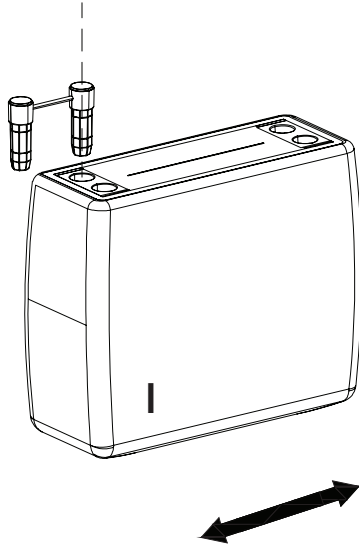


To ensure proper assembly please note that only one side of the Kaye Backrest piece is soft, without a seam, and intended for the front of the backrest.

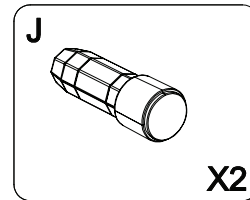
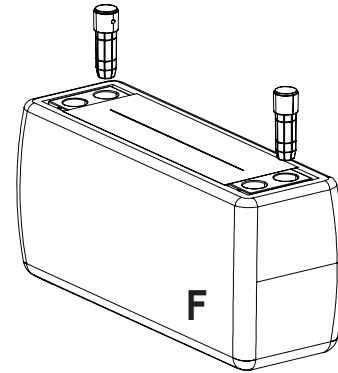
STEP 19



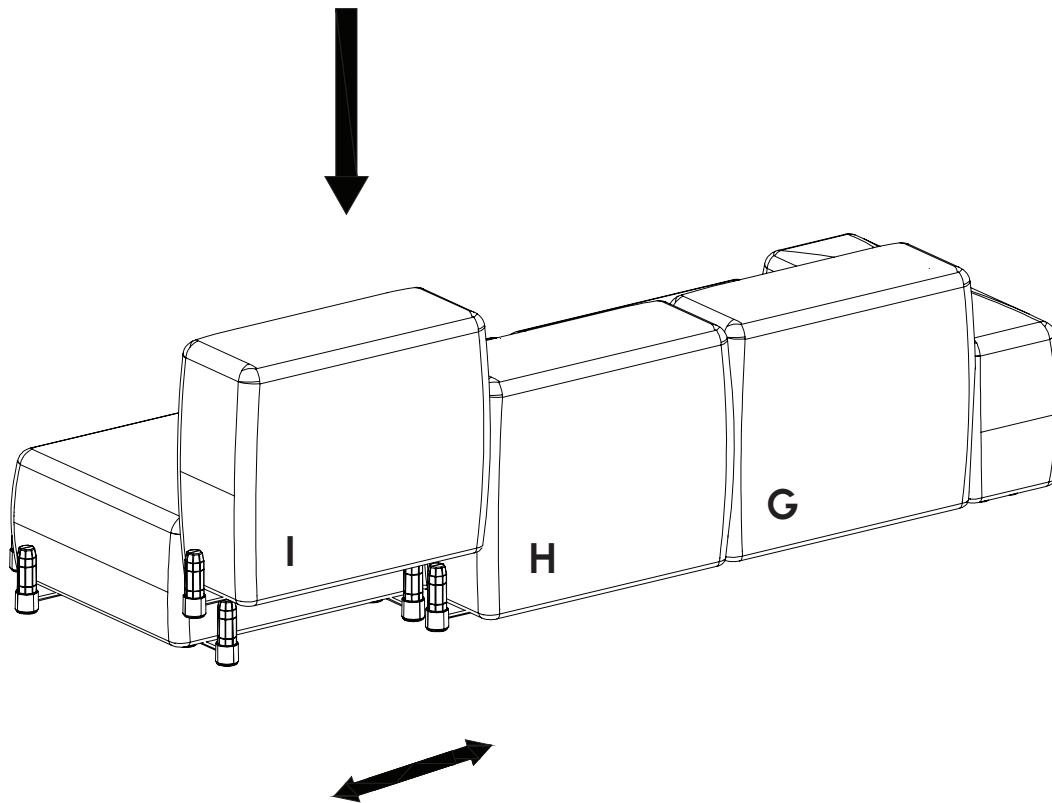
STEP 20



STEP 21

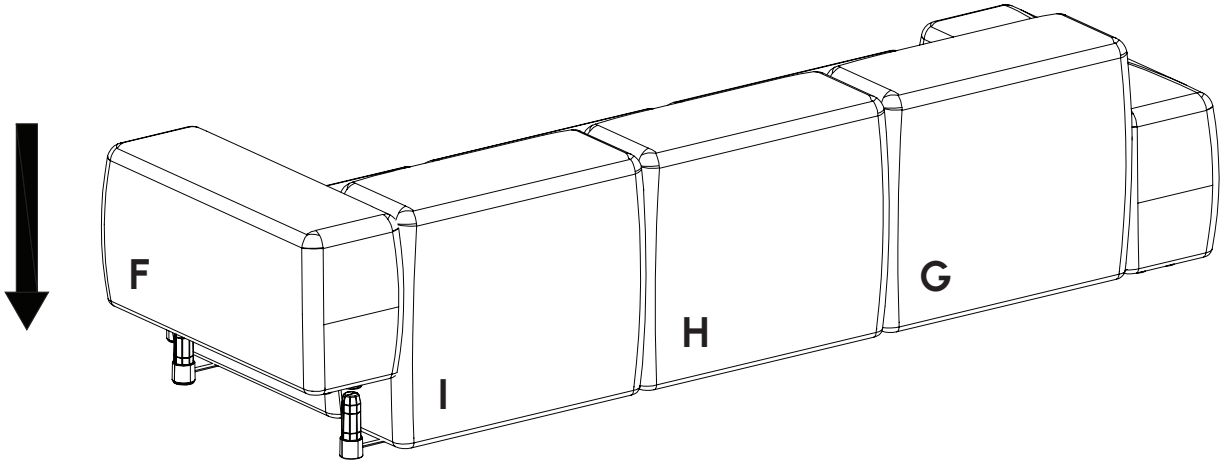


STEP 22

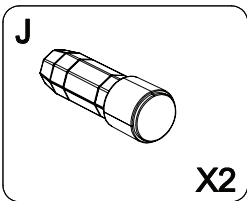
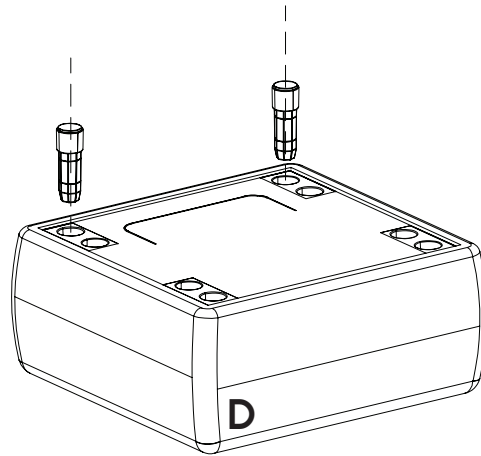


To ensure proper assembly please note that only one side of the Kaye Backrest piece is soft, without a seam, and intended for the front of the backrest.

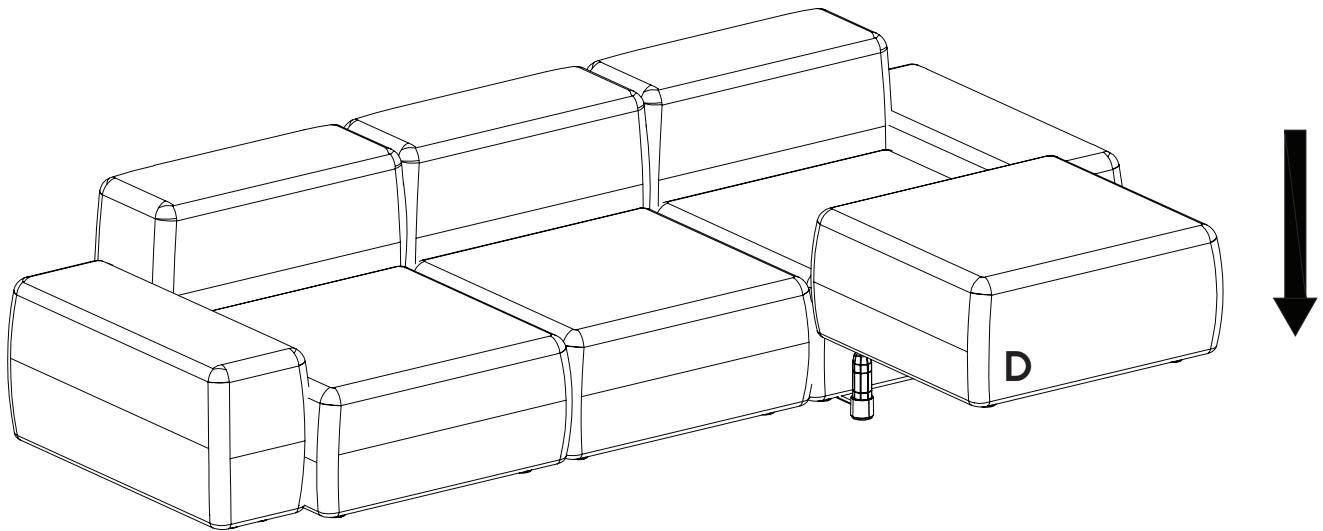
STEP 23



STEP 24



STEP 25



STEP 26

