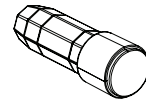
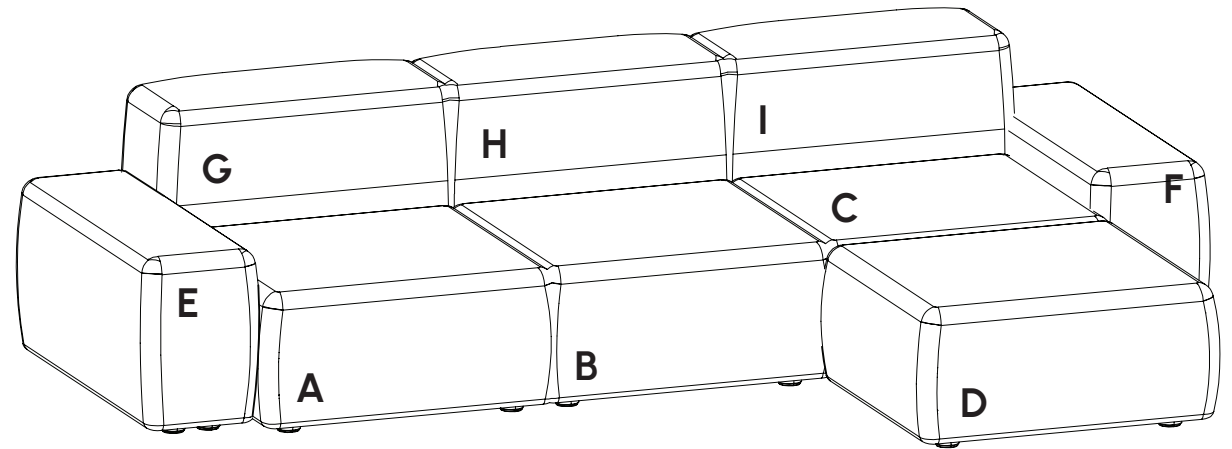
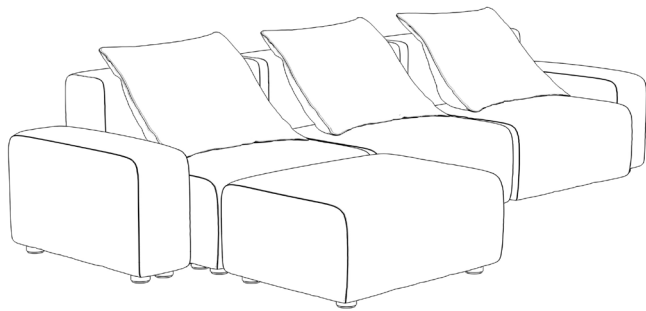


ROVECONCEPTS

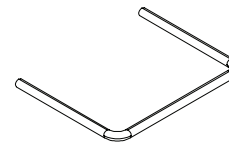
KAYE MODULAR COLLECTION ASSEMBLY INSTRUCTIONS

HARDWARE



J

x40



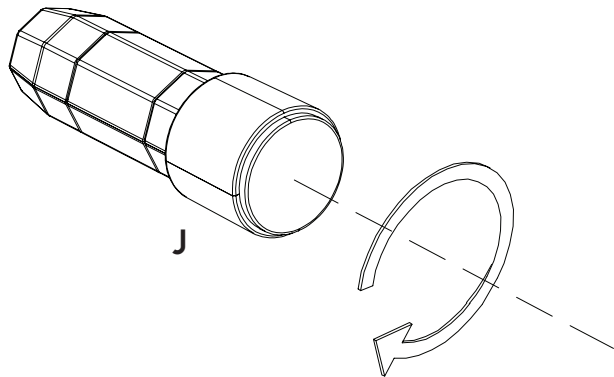
K

x18

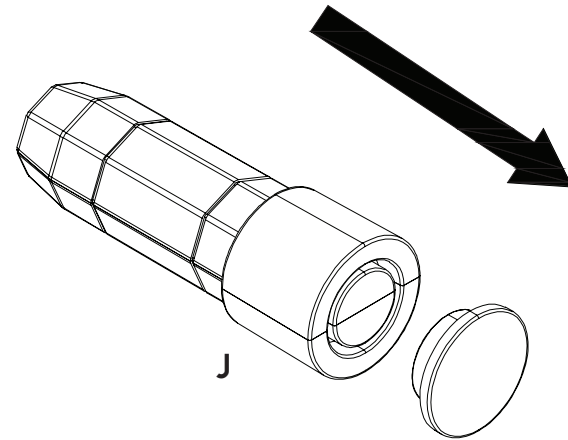
ROVECONCEPTS

KAYE MODULAR COLLECTION ASSEMBLY INSTRUCTIONS

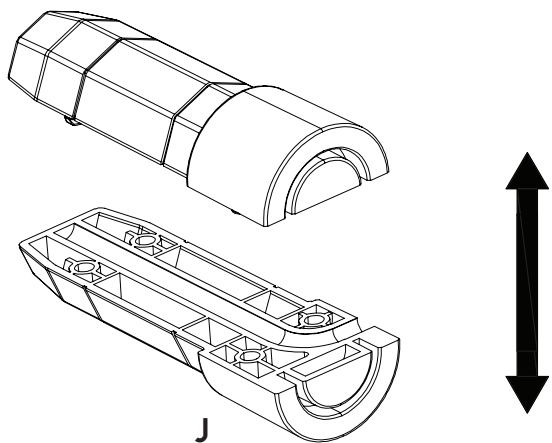
STEP 1



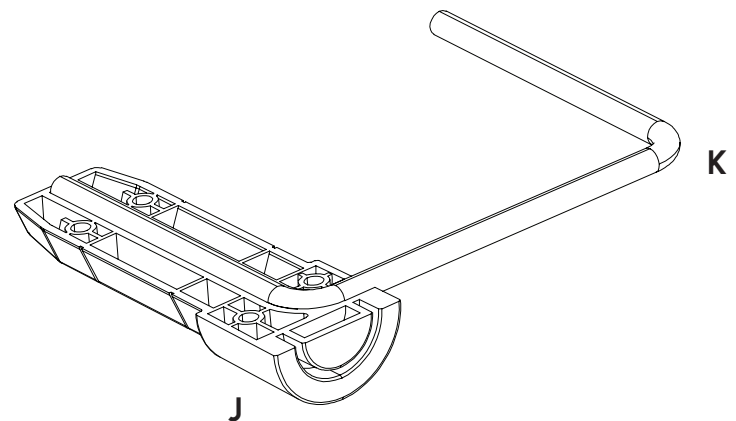
STEP 2



STEP 3



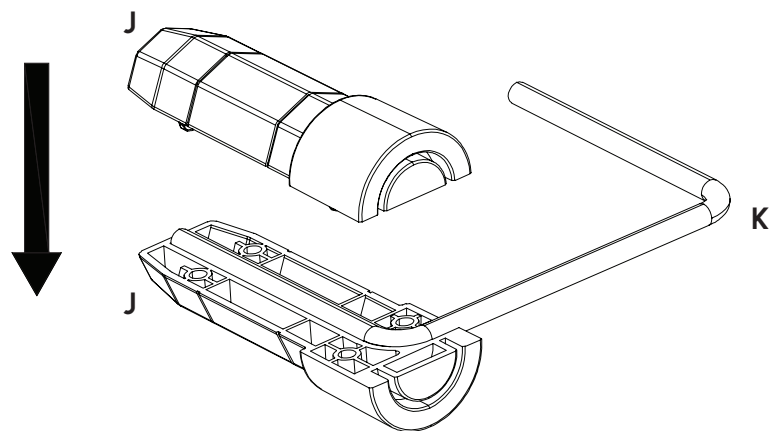
STEP 4



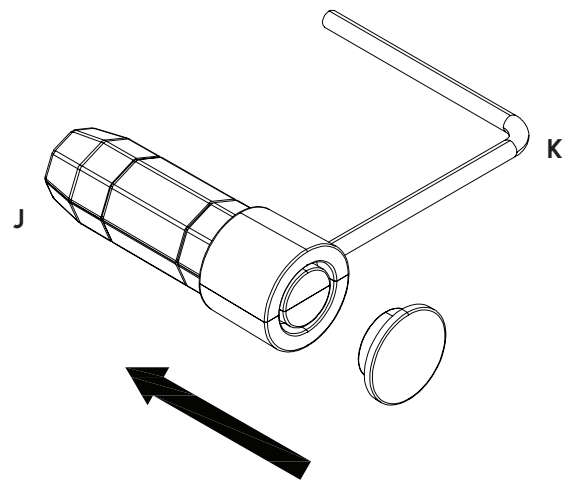
ROVECONCEPTS

KAYE MODULAR COLLECTION ASSEMBLY INSTRUCTIONS

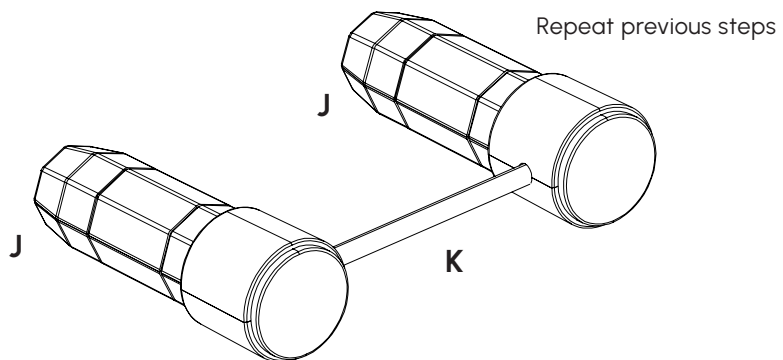
STEP 5



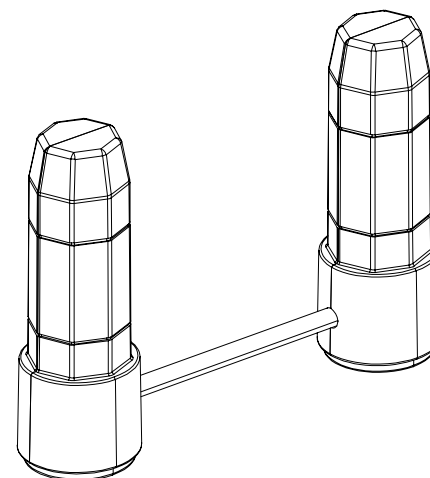
STEP 6



STEP 7



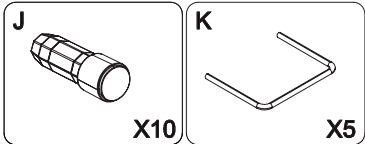
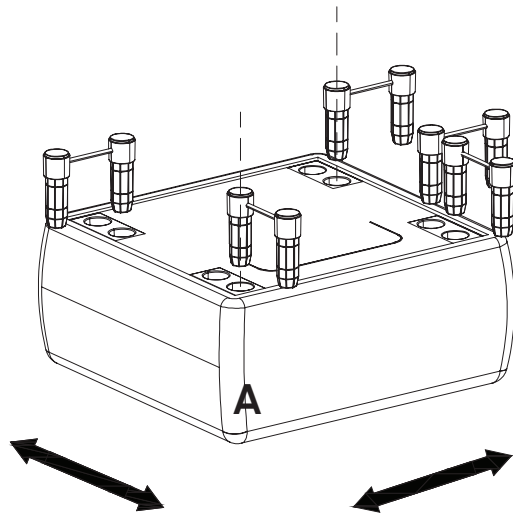
STEP 8



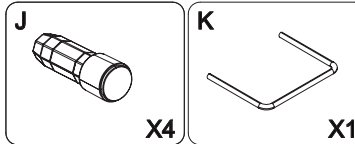
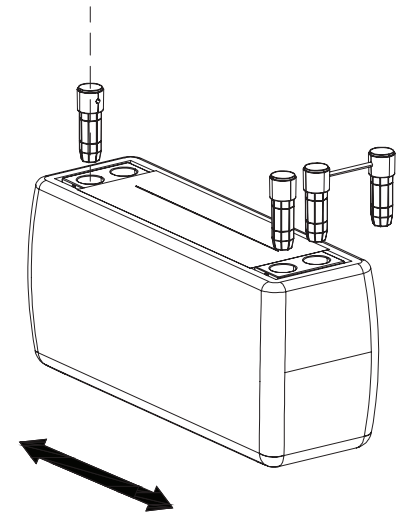
ROVECONCEPTS

KAYE MODULAR COLLECTION ASSEMBLY INSTRUCTIONS

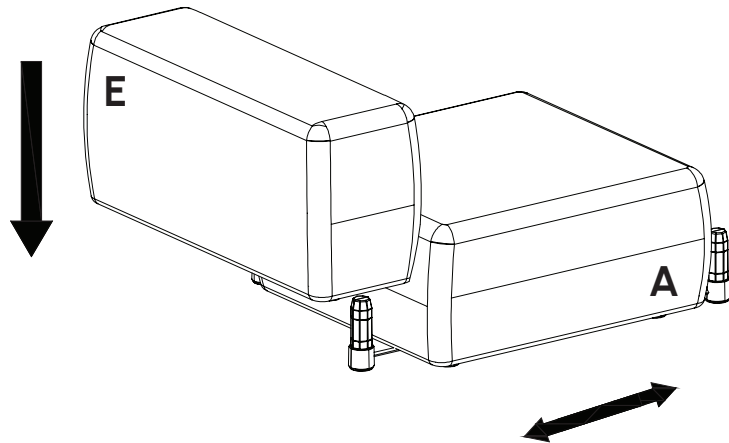
STEP 9



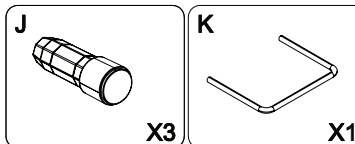
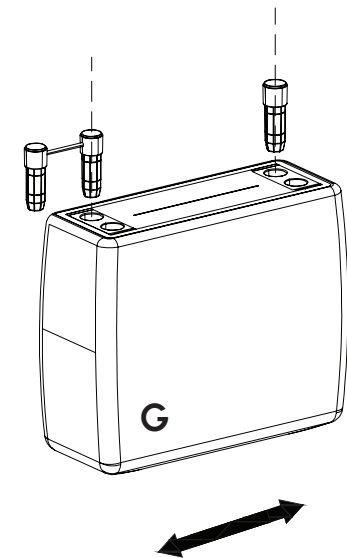
STEP 10



STEP 11



STEP 12

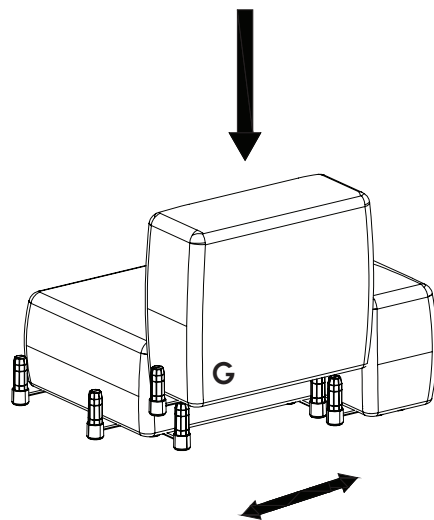


ROVECONCEPTS

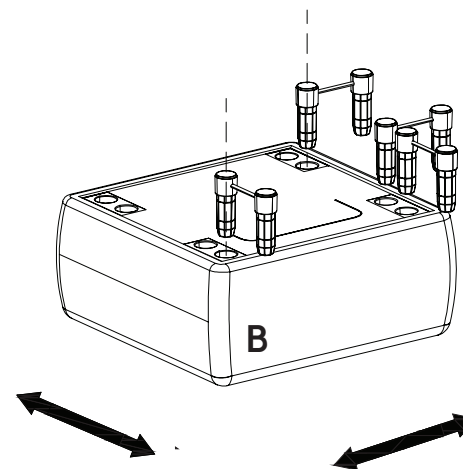
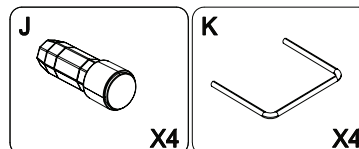
KAYE MODULAR COLLECTION ASSEMBLY INSTRUCTIONS

STEP 13

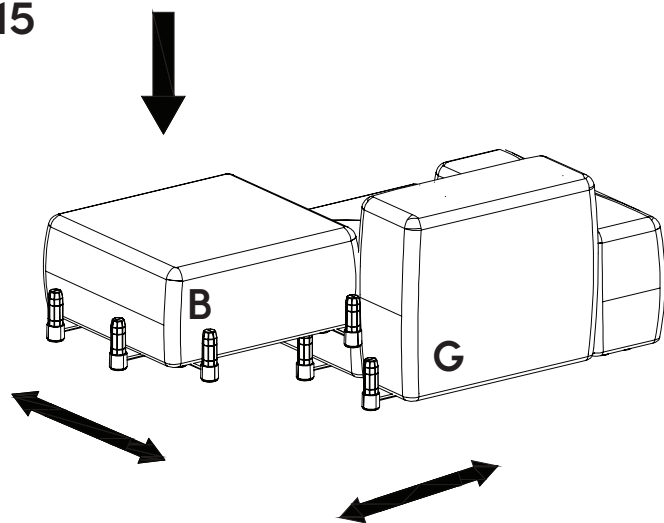
To ensure proper assembly please note that only one side of the Kaye Backrest piece is soft, without a seam, and intended for the front of the backrest.



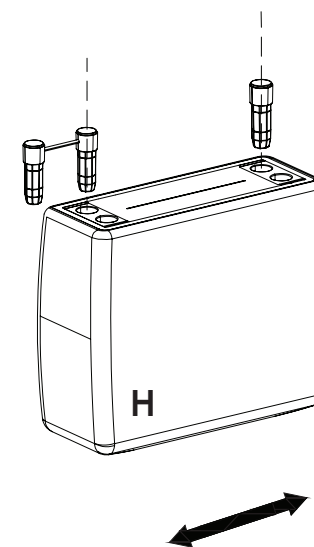
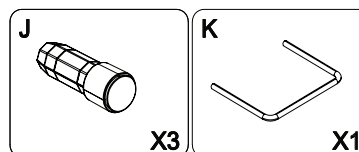
STEP 14



STEP 15



STEP 16

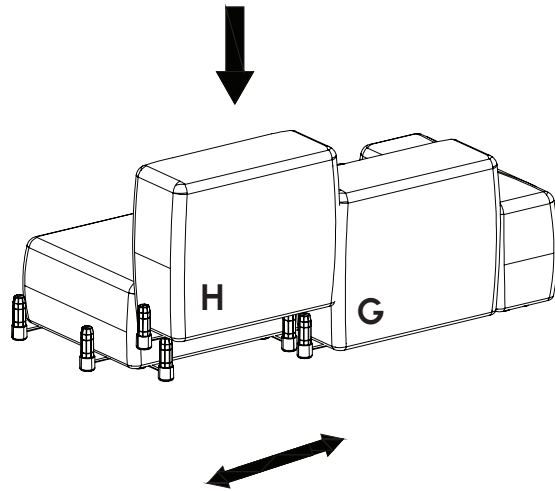


ROVECONCEPTS

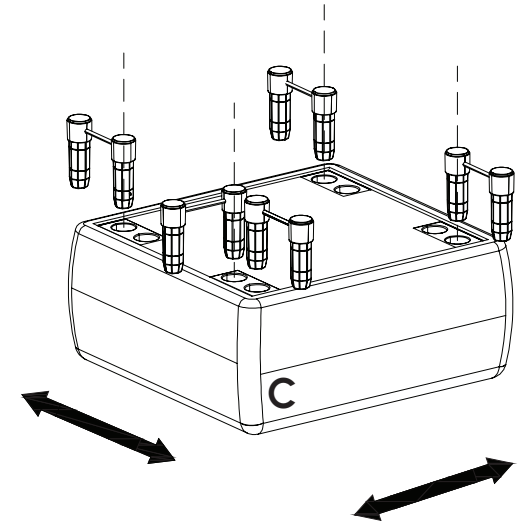
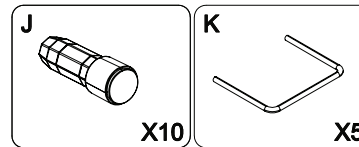
KAYE MODULAR COLLECTION ASSEMBLY INSTRUCTIONS

STEP 17

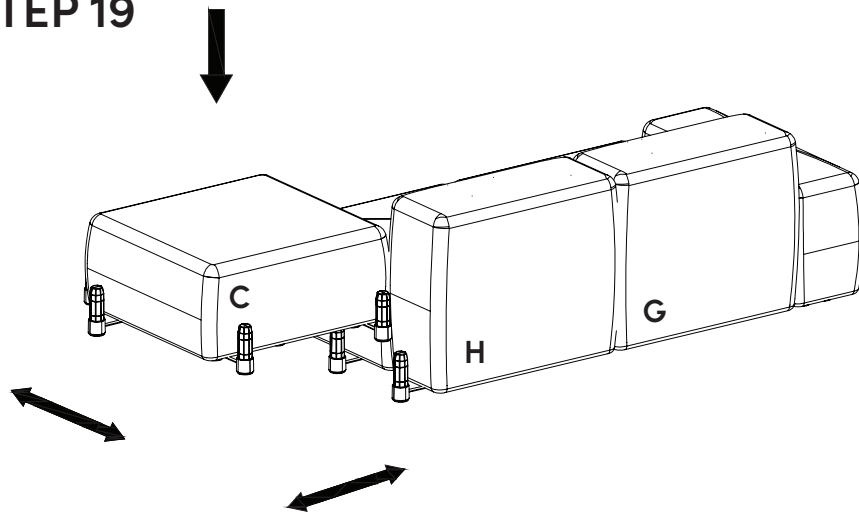
To ensure proper assembly please note that only one side of the Kaye Backrest piece is soft, without a seam, and intended for the front of the backrest.



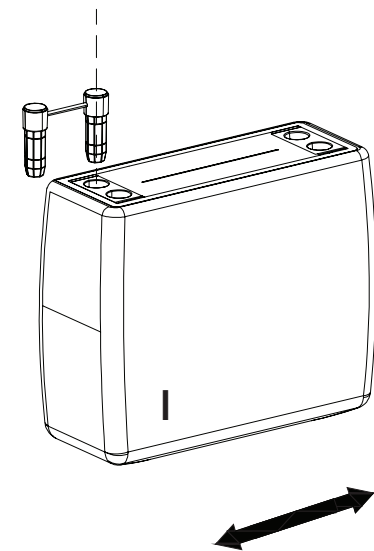
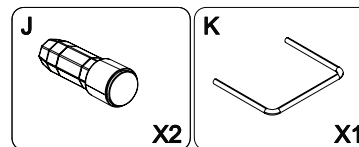
STEP 18



STEP 19



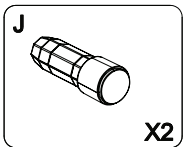
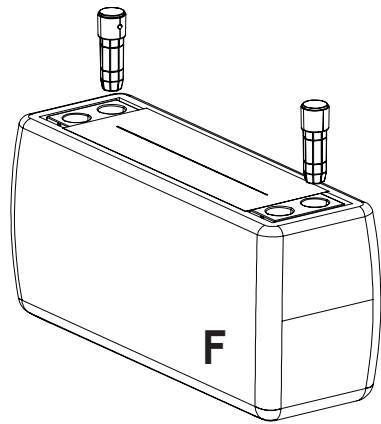
STEP 20



ROVECONCEPTS

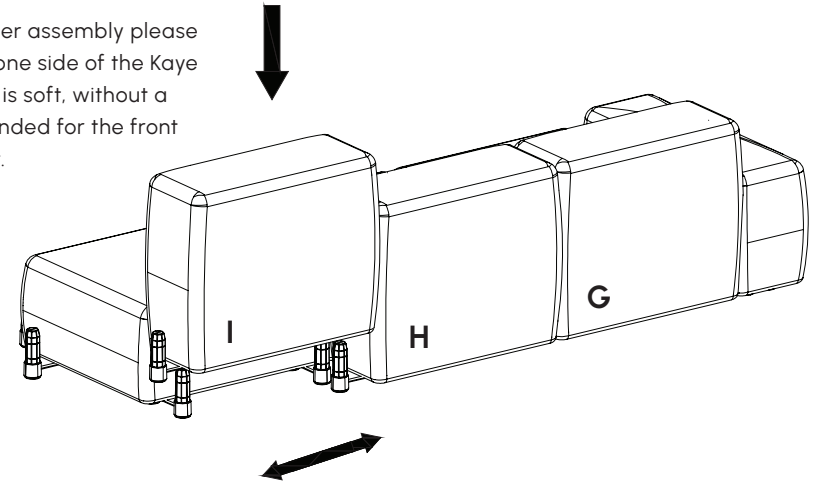
KAYE MODULAR COLLECTION ASSEMBLY INSTRUCTIONS

STEP 21

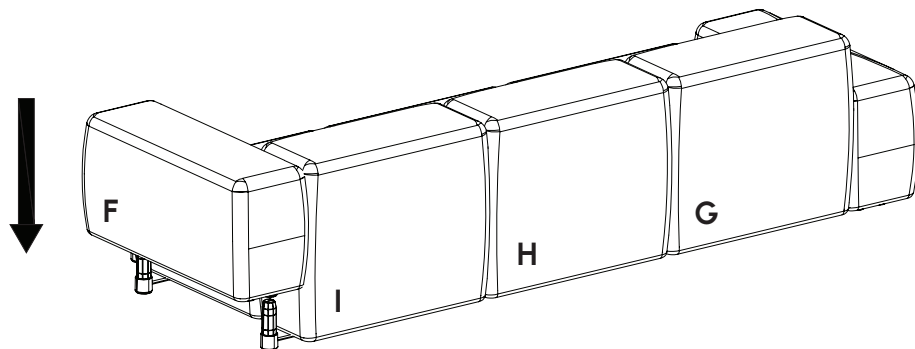


STEP 22

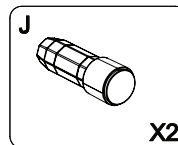
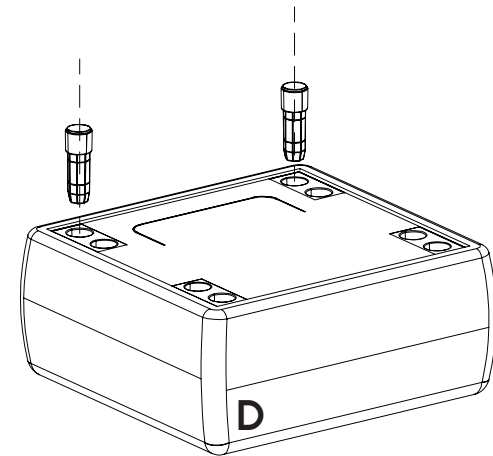
To ensure proper assembly please note that only one side of the Kaye Backrest piece is soft, without a seam, and intended for the front of the backrest.



STEP 23



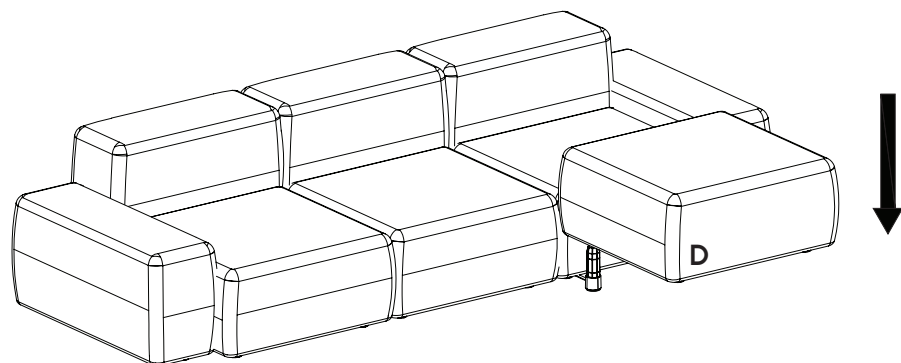
STEP 24



ROVECONCEPTS

KAYE MODULAR COLLECTION ASSEMBLY INSTRUCTIONS

STEP 25



STEP 26

