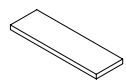


ROVECONCEPTS

KAYE MODULAR END TABLE ASSEMBLY INSTRUCTIONS

HARDWARE



1

x1



2

x1



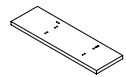
3

x1



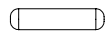
4

x1



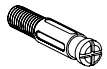
5

x1



6

x14



7

x14



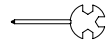
8

x14



9

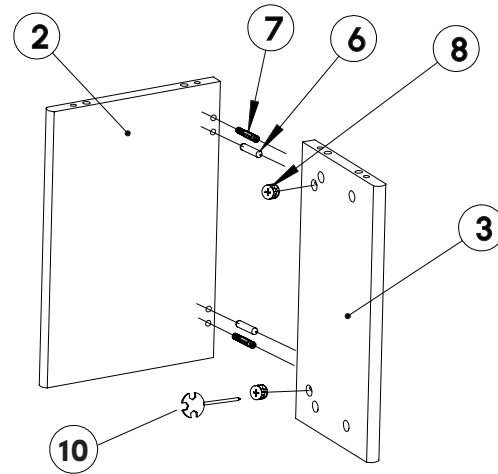
x14



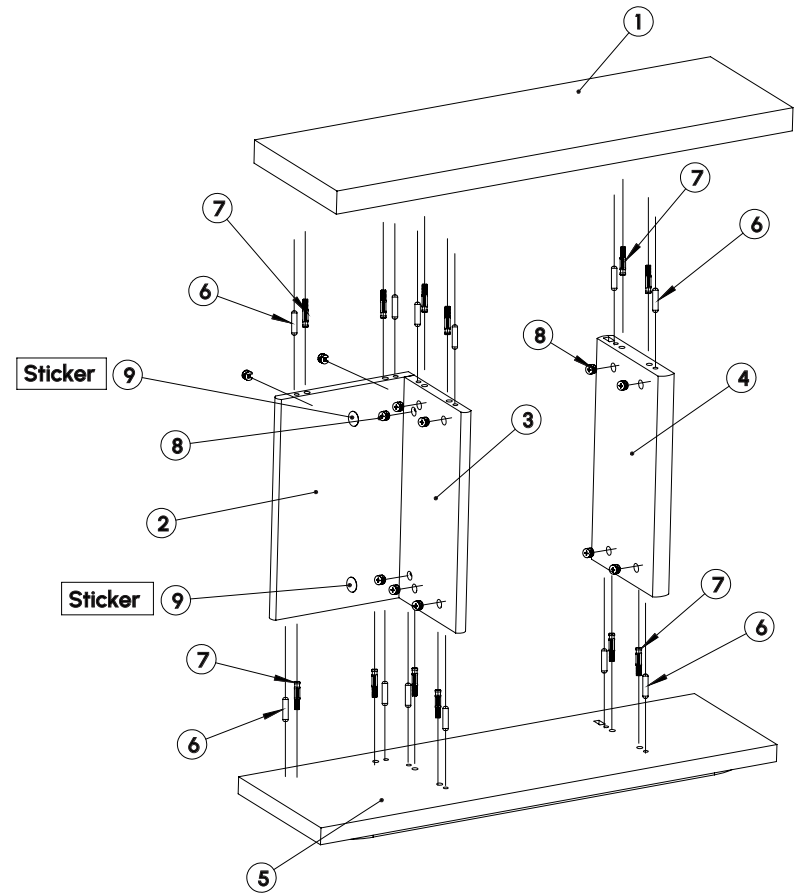
10

x1

STEP 1



STEP 2



STEP 3

