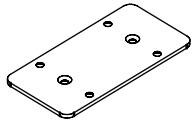


TRIO SIDE TABLE ASSEMBLY INSTRUCTIONS

HARDWARE



**A**  
x3  
4\*90\*180

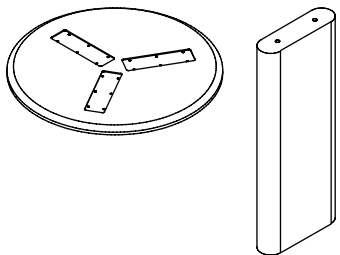


**B**  
x1  
M4\*30\*107

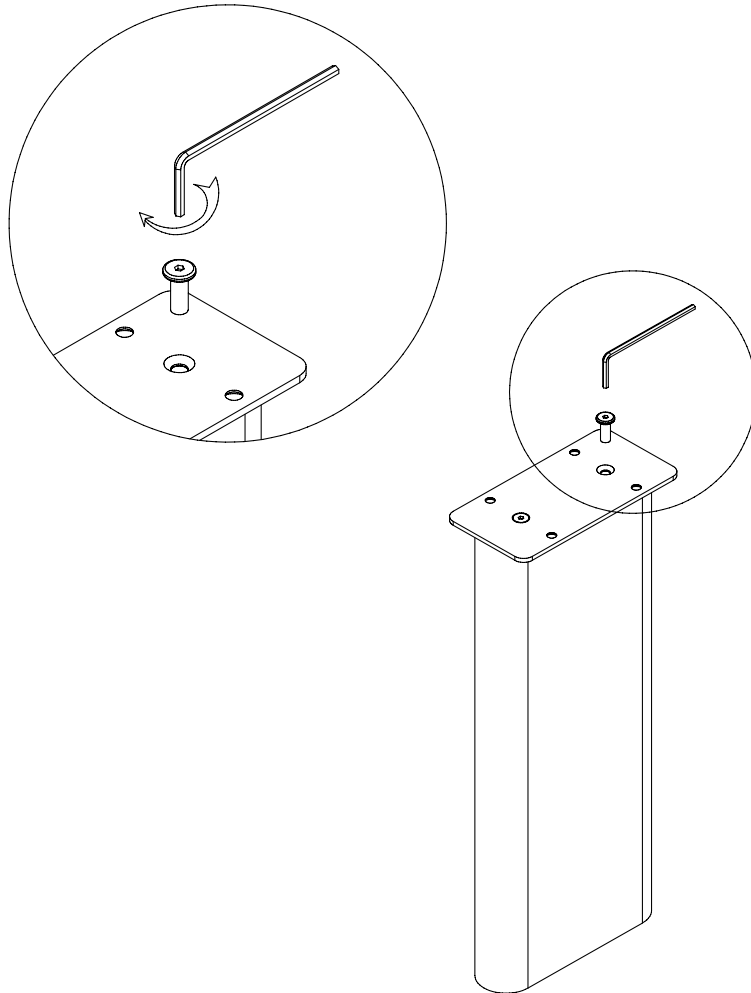


**C**  
x18  
M6\*25

COMPONENT



STEP 1



STEP 2

