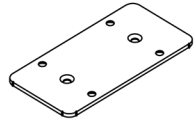


TRIO SIDE TABLE ASSEMBLY INSTRUCTIONS

HARDWARE



A
x3
4*90*180

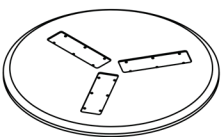


B
x1
M4*23*60

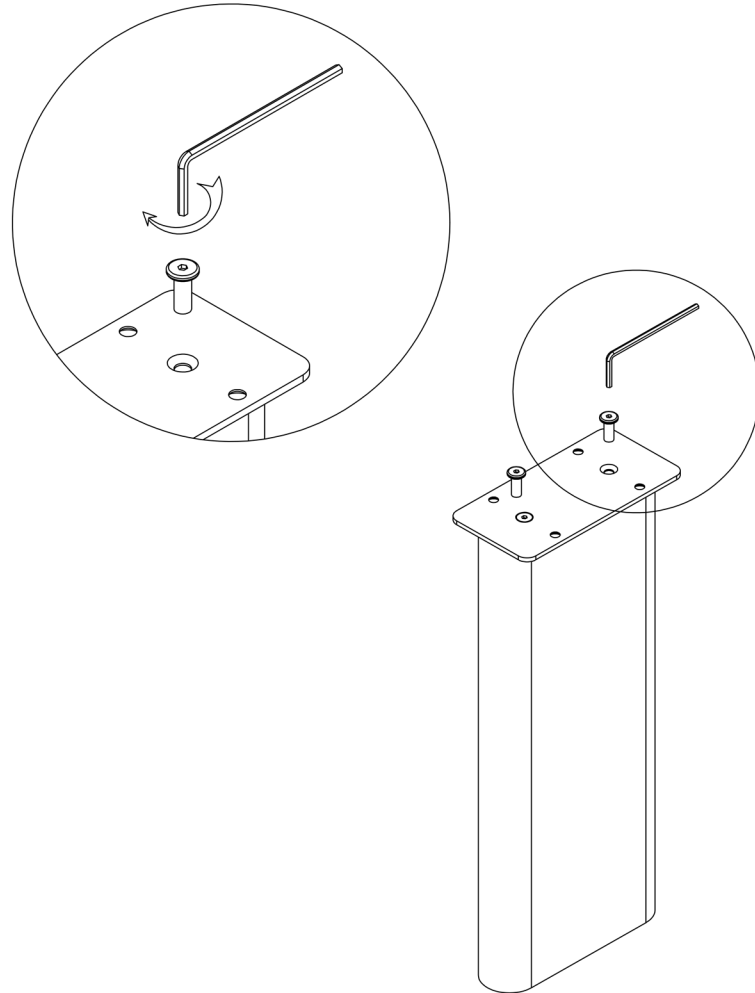


C
x18
M6*25

COMPONENT



STEP 1



STEP 2

