

ROVECONCEPTS

SOLANA COUNTER STOOL ASSEMBLY INSTRUCTIONS

HARDWARE



A

x4
M6*10mm



1

Front



B

x4
M6*30mm



2

Back



C

x4
M6*45mm



D

x8
M6*14mm



3



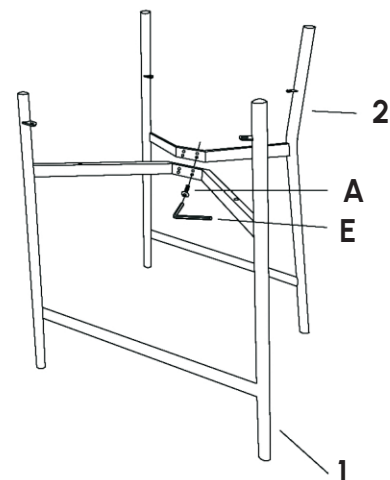
E

x1
M6



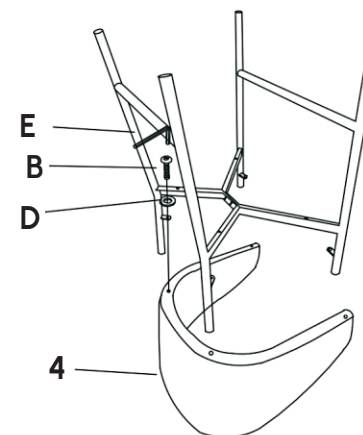
4

STEP 1

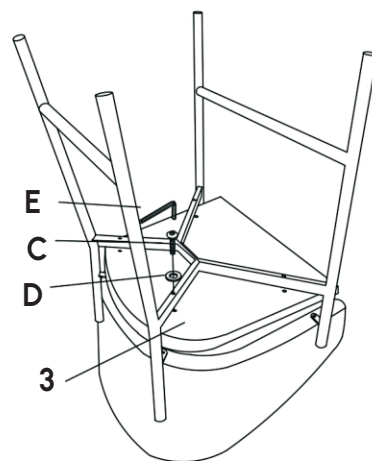


Please do not tighten the screws until all screws have been installed.

STEP 2



STEP 3



STEP 4

