

# ROVECONCEPTS

## SOLANA COUNTER STOOL ASSEMBLY INSTRUCTIONS

### HARDWARE



**A**  
x4  
M6\*10mm



**1**  
Front



**B**  
x4  
M6\*30mm



**2**  
Back



**C**  
x4  
M6\*45mm



**D**  
x8  
M6\*14mm



**3**

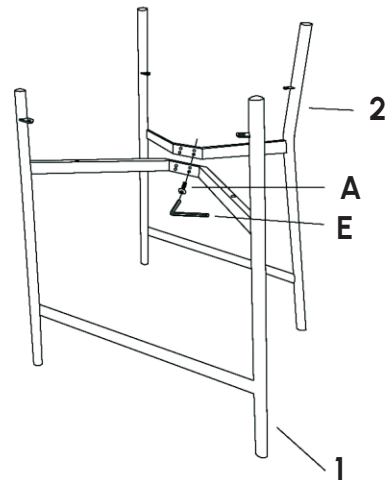


**E**  
x1  
M6



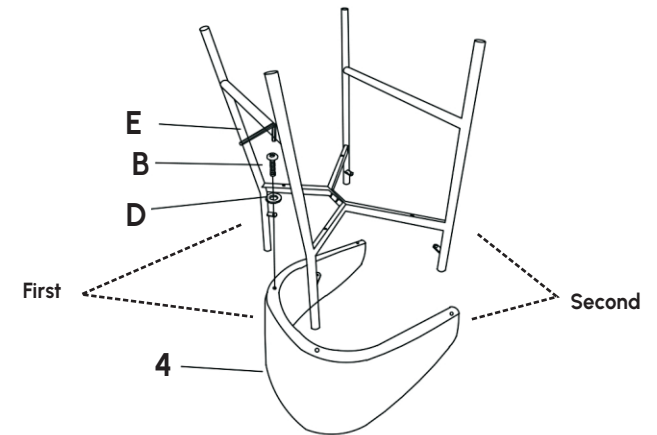
**4**

### STEP 1



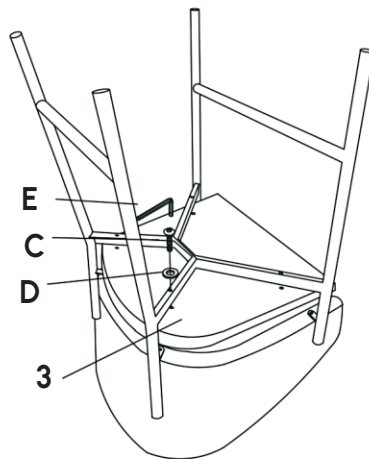
Please do not tighten the screws until all screws have been installed.

### STEP 2



Assemble the screws at the back, do not over tighten until front screws are in place

### STEP 3



### STEP 4

