

HARDWARE



A
x3
4*96*440

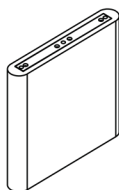
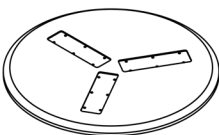


B
x1
M4*23*60

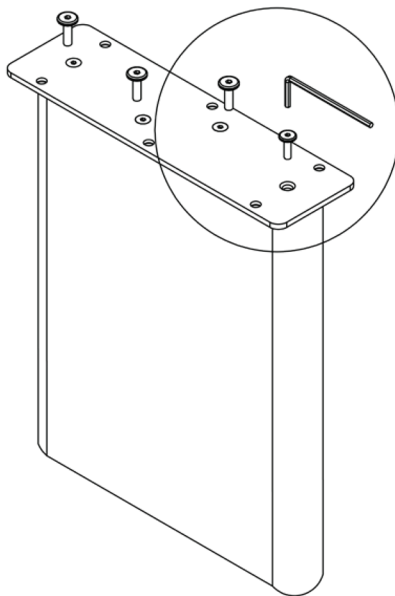
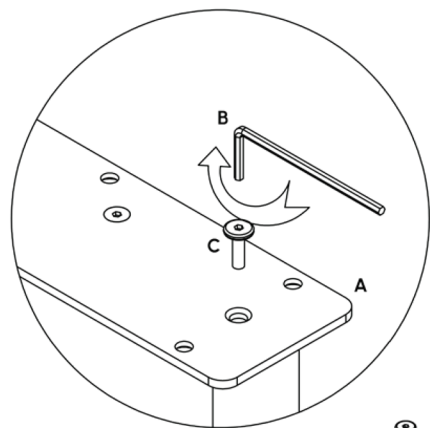


C
x30
M6*25

COMPONENT



STEP 1



STEP 2

