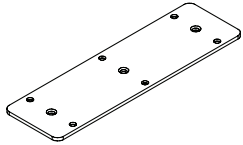


ROVECONCEPTS

TRIO COFFEE TABLE ASSEMBLY INSTRUCTIONS

HARDWARE



A
x3
4*96*330

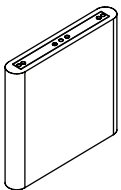
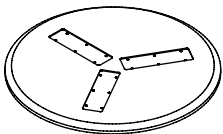


B
x1
M4*30*107

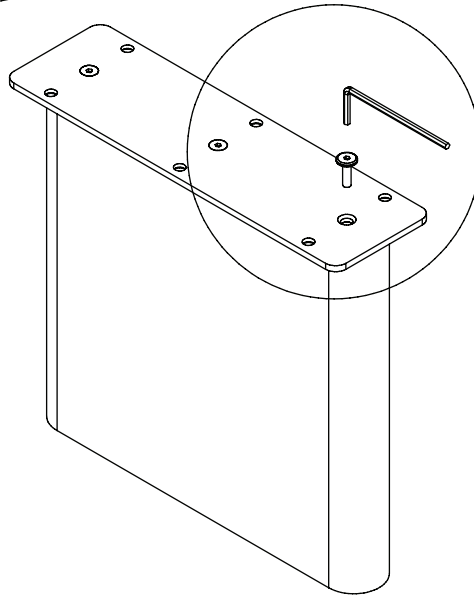
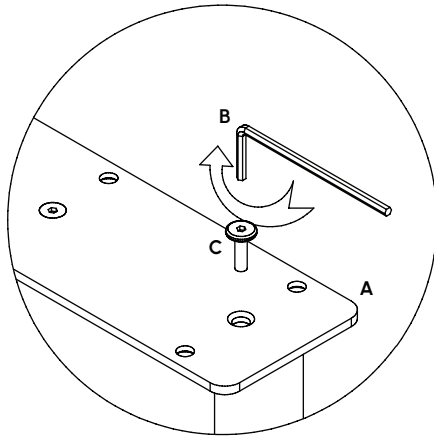


C
x27
M6*25

COMPONENT



STEP 1



STEP 2

