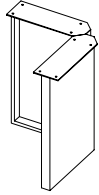


ROVECONCEPTS

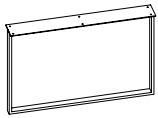
TERZO TABLE ASSEMBLY INSTRUCTIONS

HARDWARE



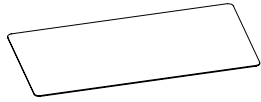
A

x2



B

x1



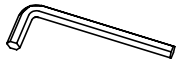
C

x1



D

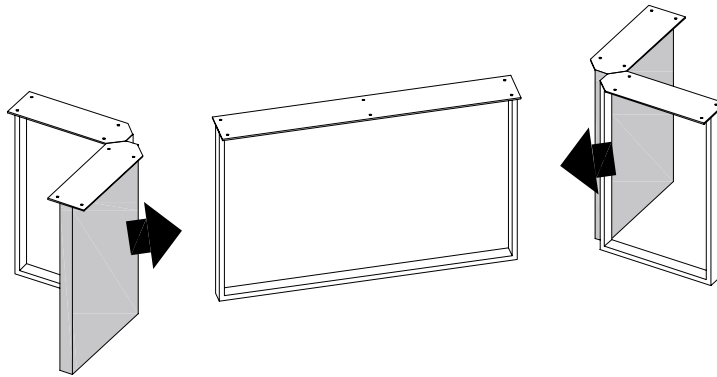
x26
M8*15



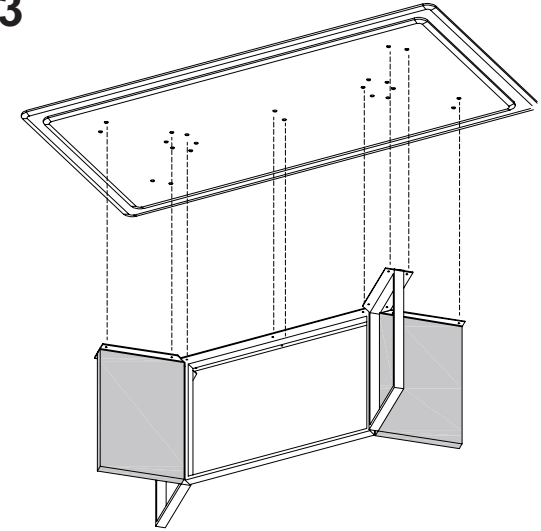
E

x1
M8

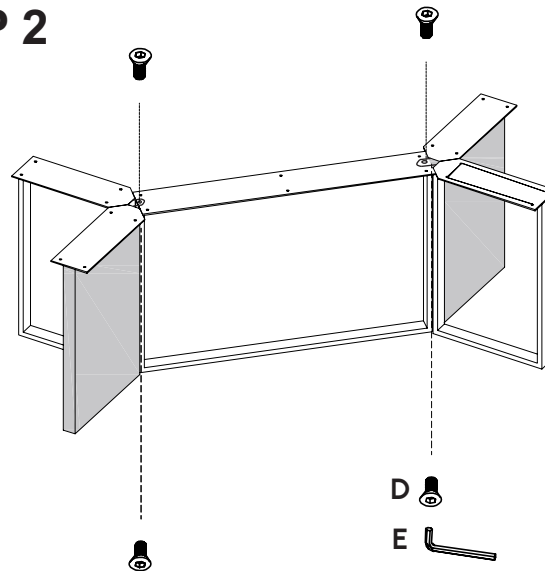
STEP 1



STEP 3



STEP 2



STEP 4

