

ROVECONCEPTS

ELEANOR DINING TABLE ASSEMBLY INSTRUCTIONS

HARDWARE



A
x6
8*80



B
x4



C
x6



D
x14



E
x6



F
x1

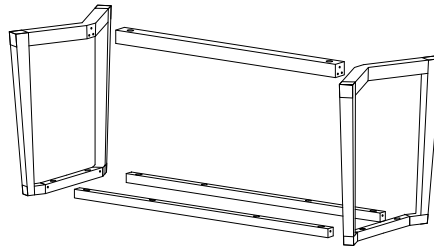


G
x8
8*45

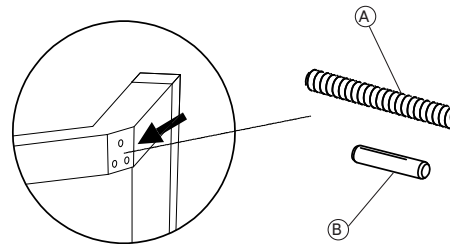


H
x1

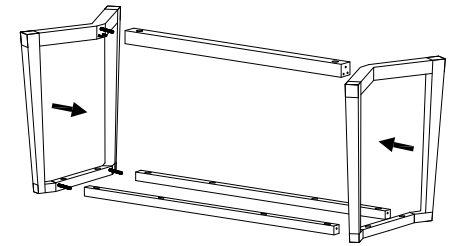
STEP 1



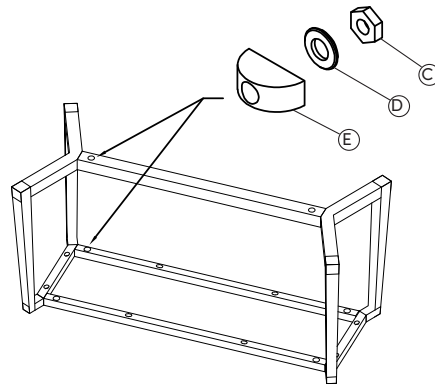
STEP 2



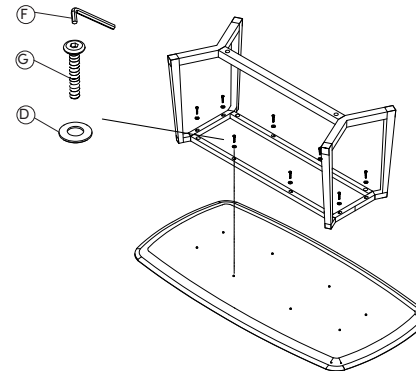
STEP 3



STEP 4



STEP 5



STEP 6

