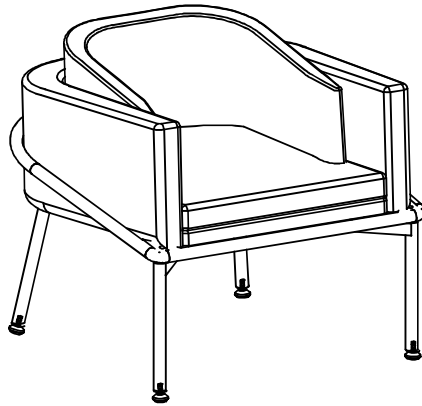


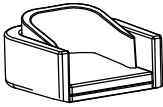
ROVECONCEPTS

Refined Luxury Living

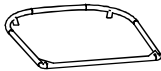


ANGELO LOUNGE CHAIR ASSEMBLY INSTRUCTIONS

HARDWARE



A



B



C

x2



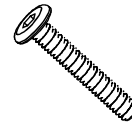
D

x4



E

x4
M6*15



F

x4
M6*40



G

x1
M4

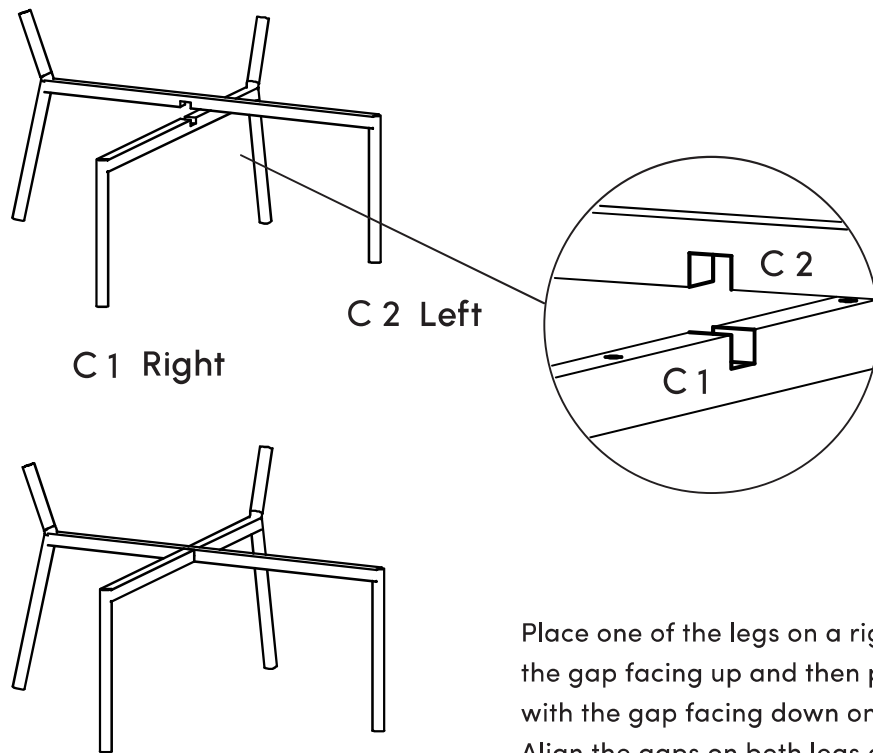


H

x4
Ø6*16

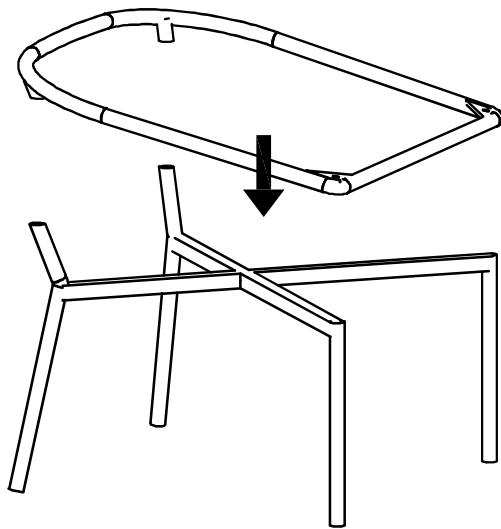
Angelo Lounge Chair | 2

STEP 1

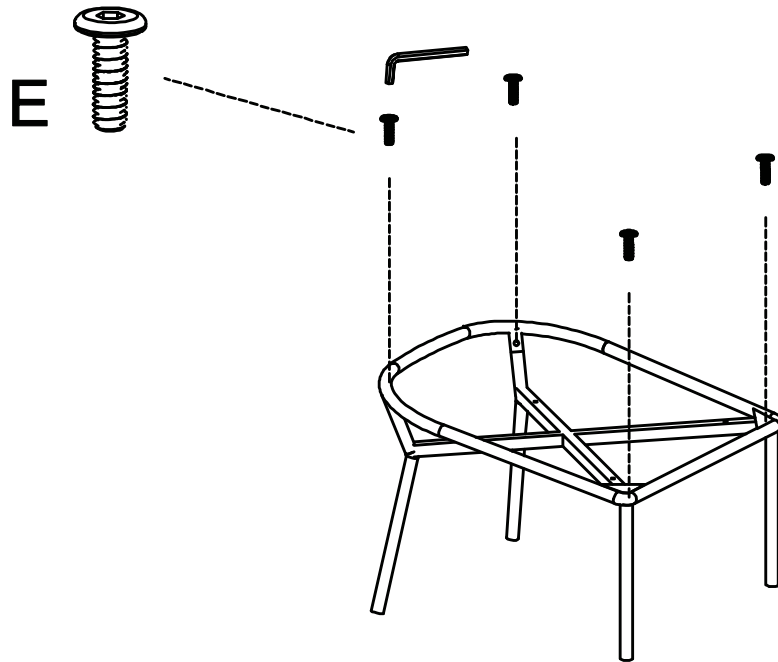


Place one of the legs on a right diagonal with the gap facing up and then place the other leg with the gap facing down on a left diagonal. Align the gaps on both legs and assemble.

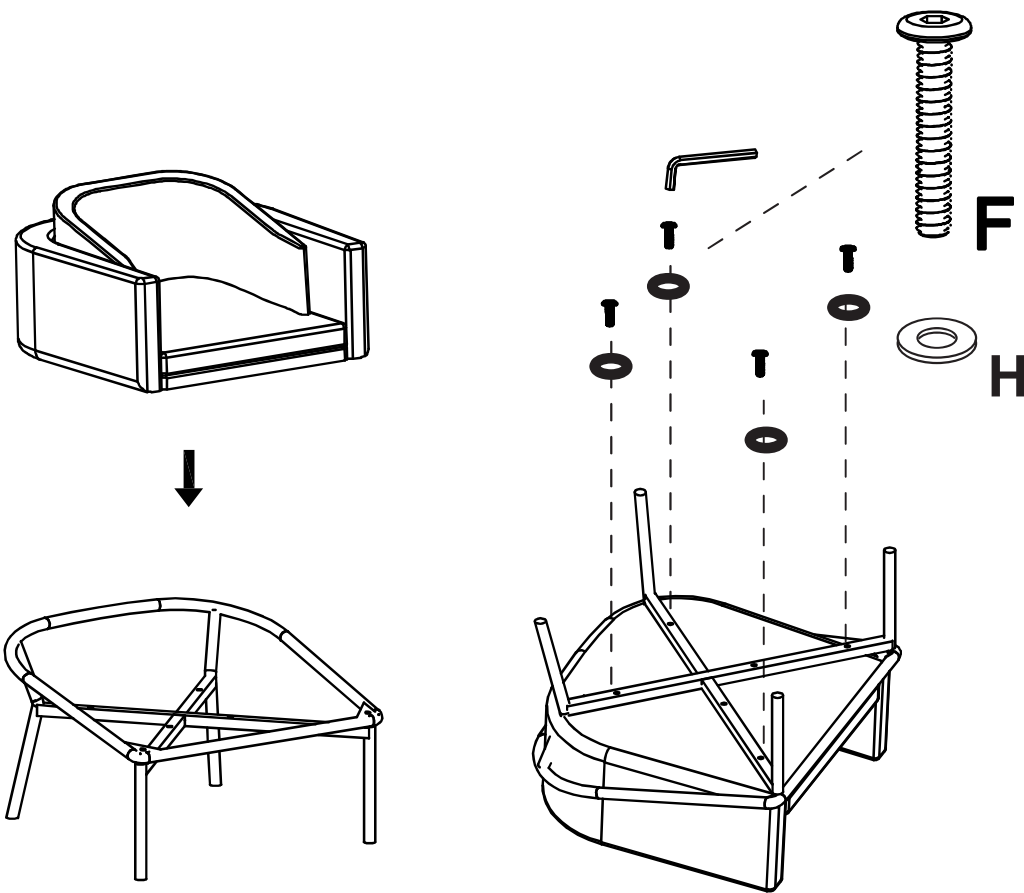
STEP 2



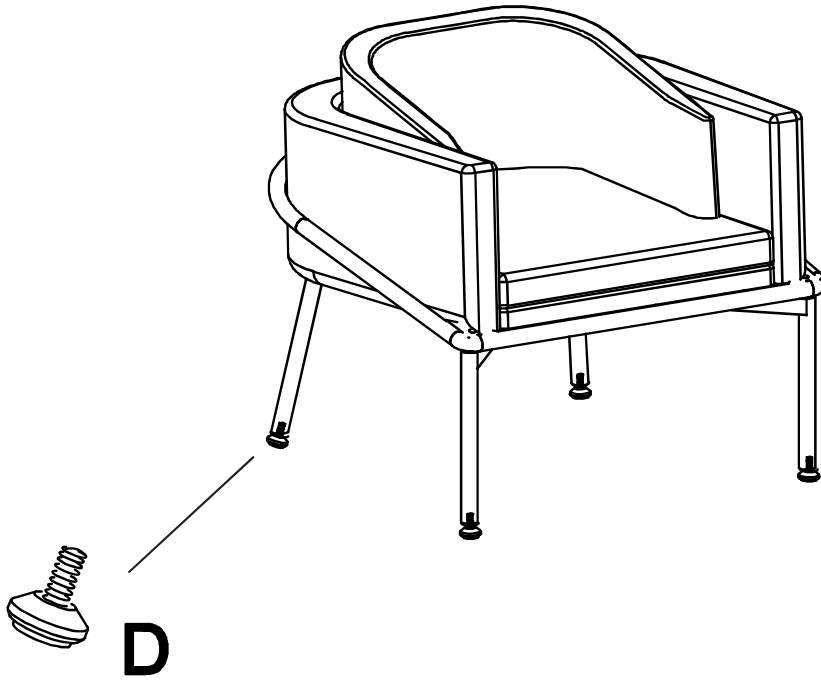
STEP 3



STEP 4



STEP 5



Angelo Lounge Chair | 7