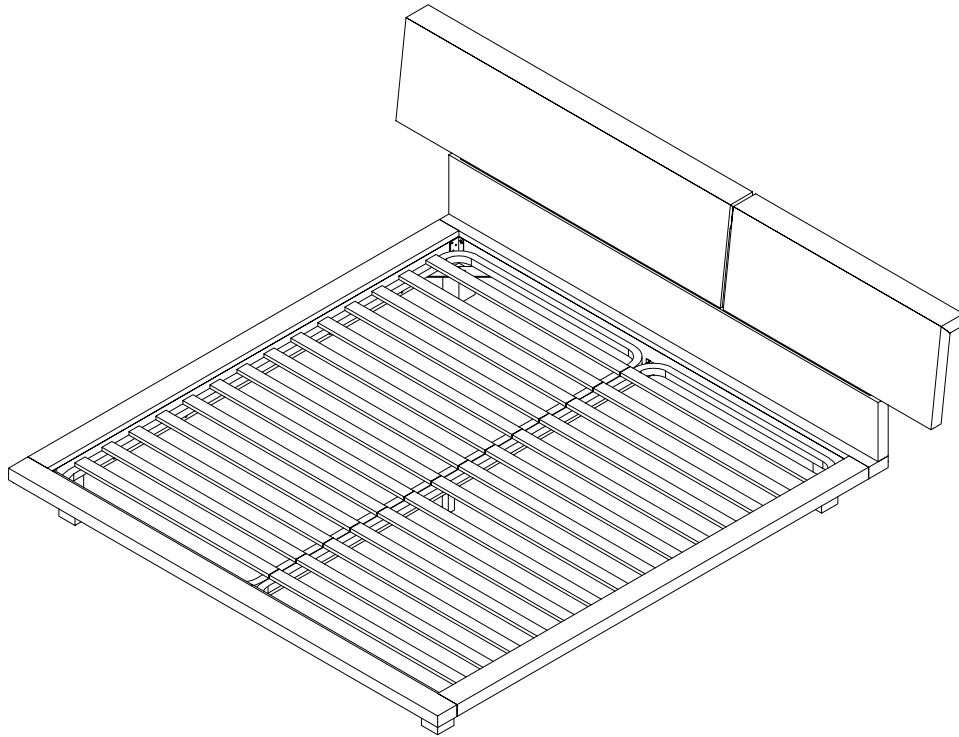


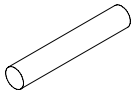
ROVECONCEPTS

Refined Luxury Living



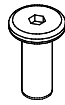
HUNTER BED - FULL / QUEEN ASSEMBLY INSTRUCTIONS

HARDWARE



A

x18
10*40



B

x30
M6*20



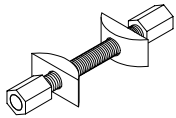
C

x30
M6



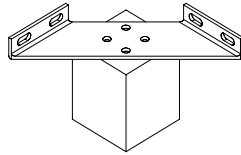
D

x30
M6



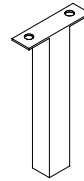
E

x7



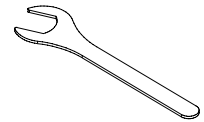
F

x4



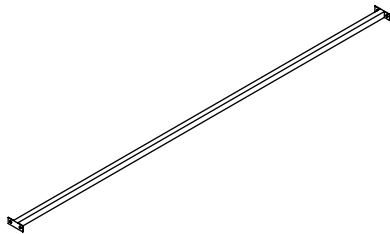
G

x1



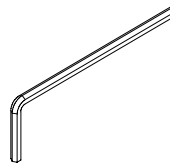
H

x2



I

x1



K

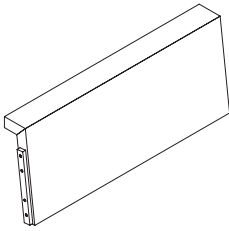
x1
M4*30*107



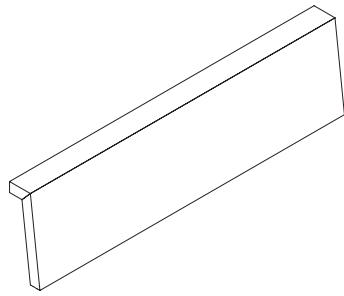
L

x14

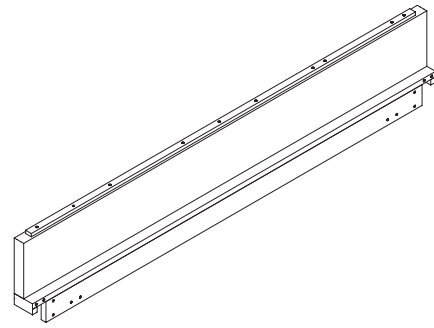
COMPONENT



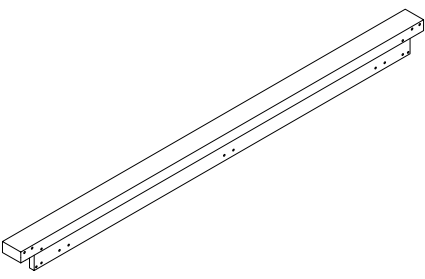
x1



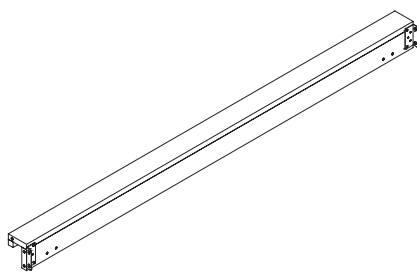
x1



x1

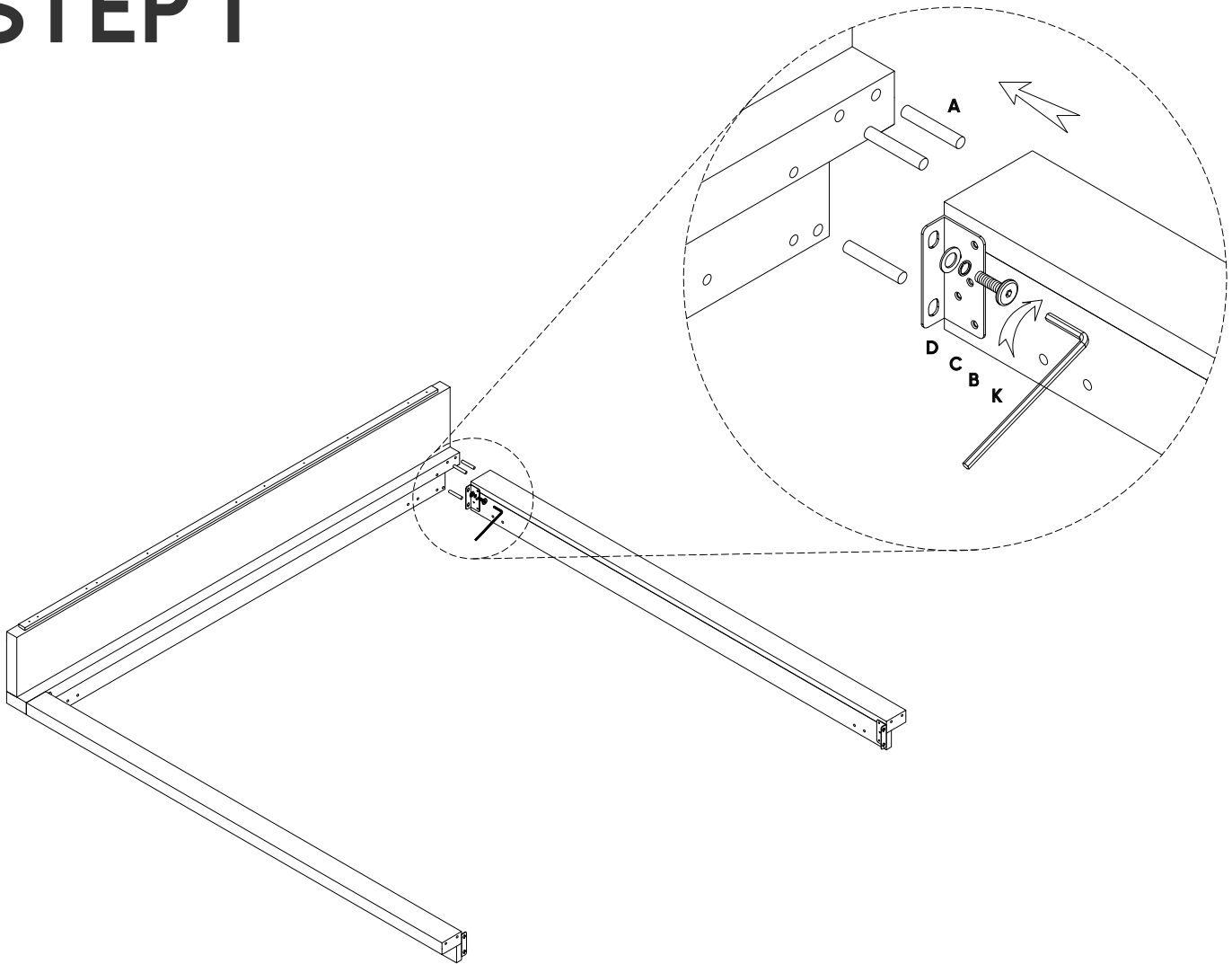


x1

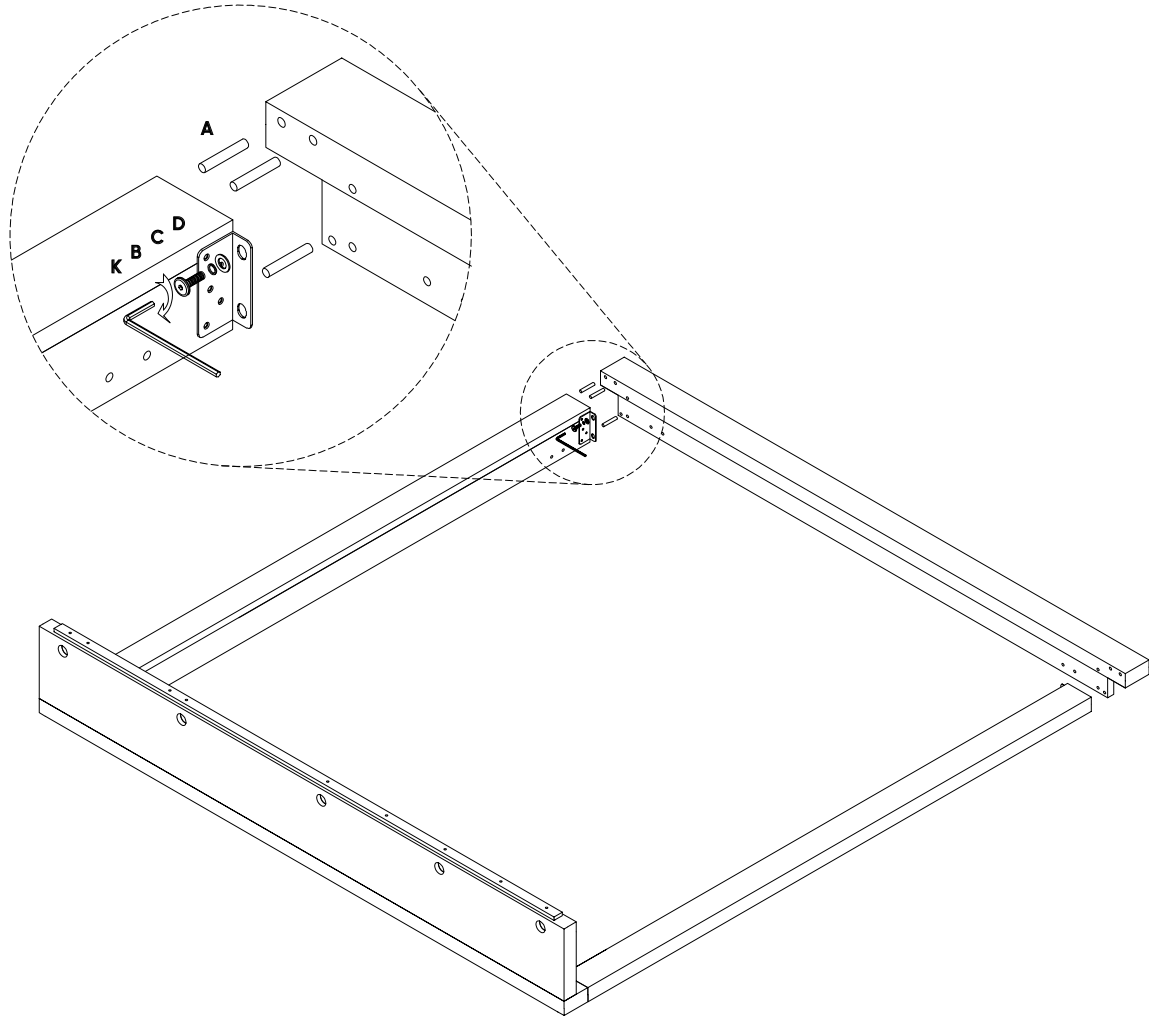


x2

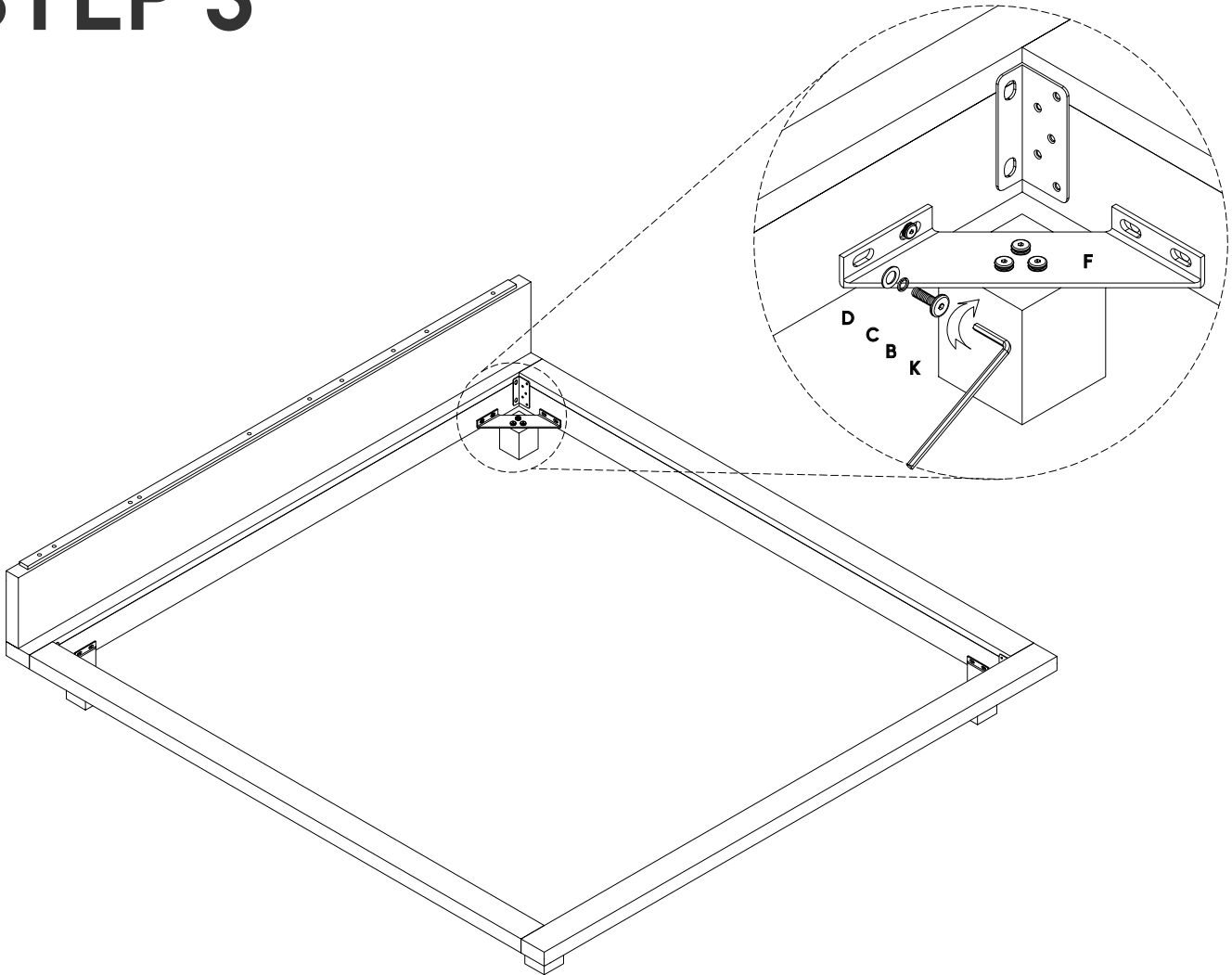
STEP 1



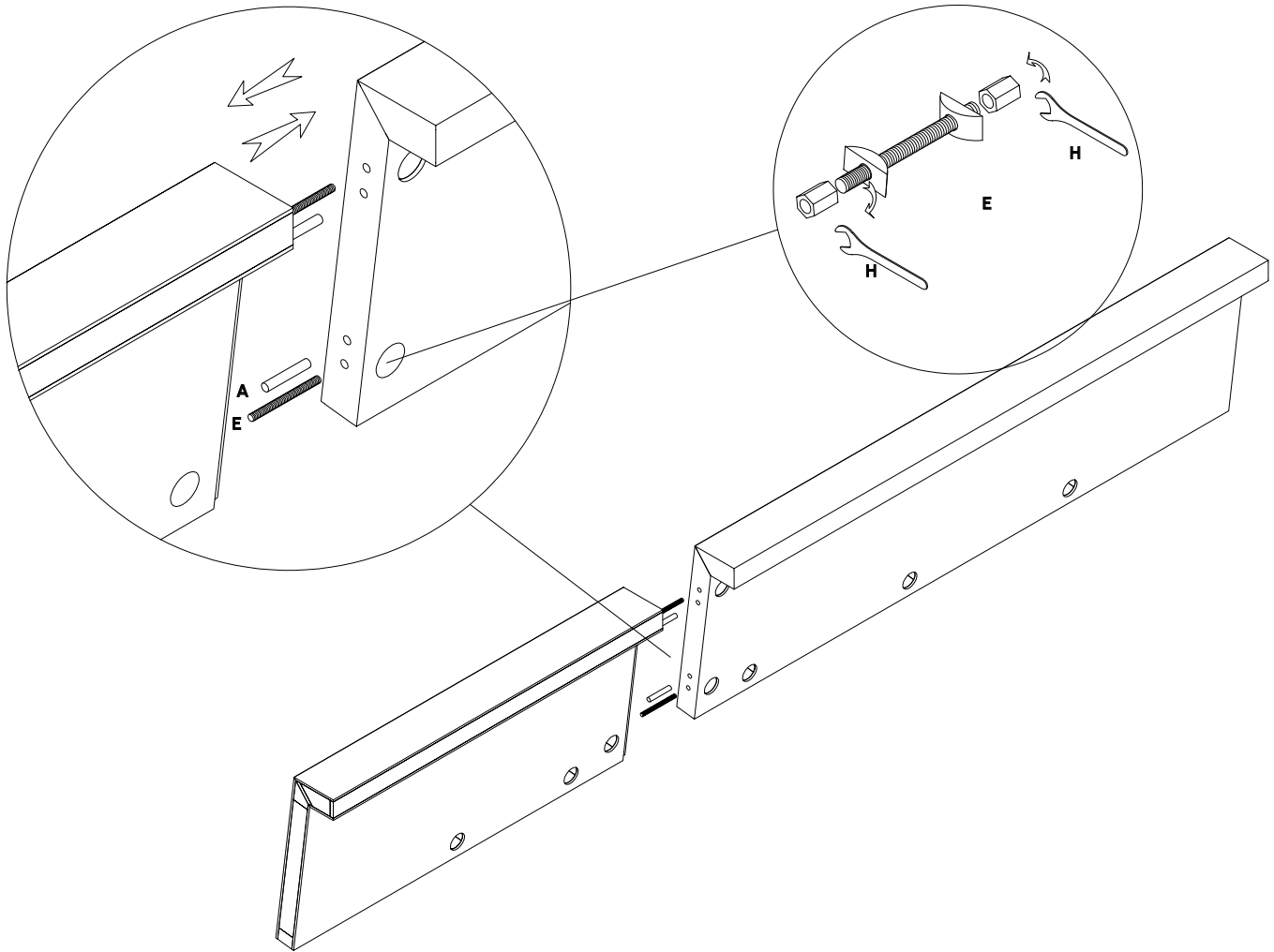
STEP 2



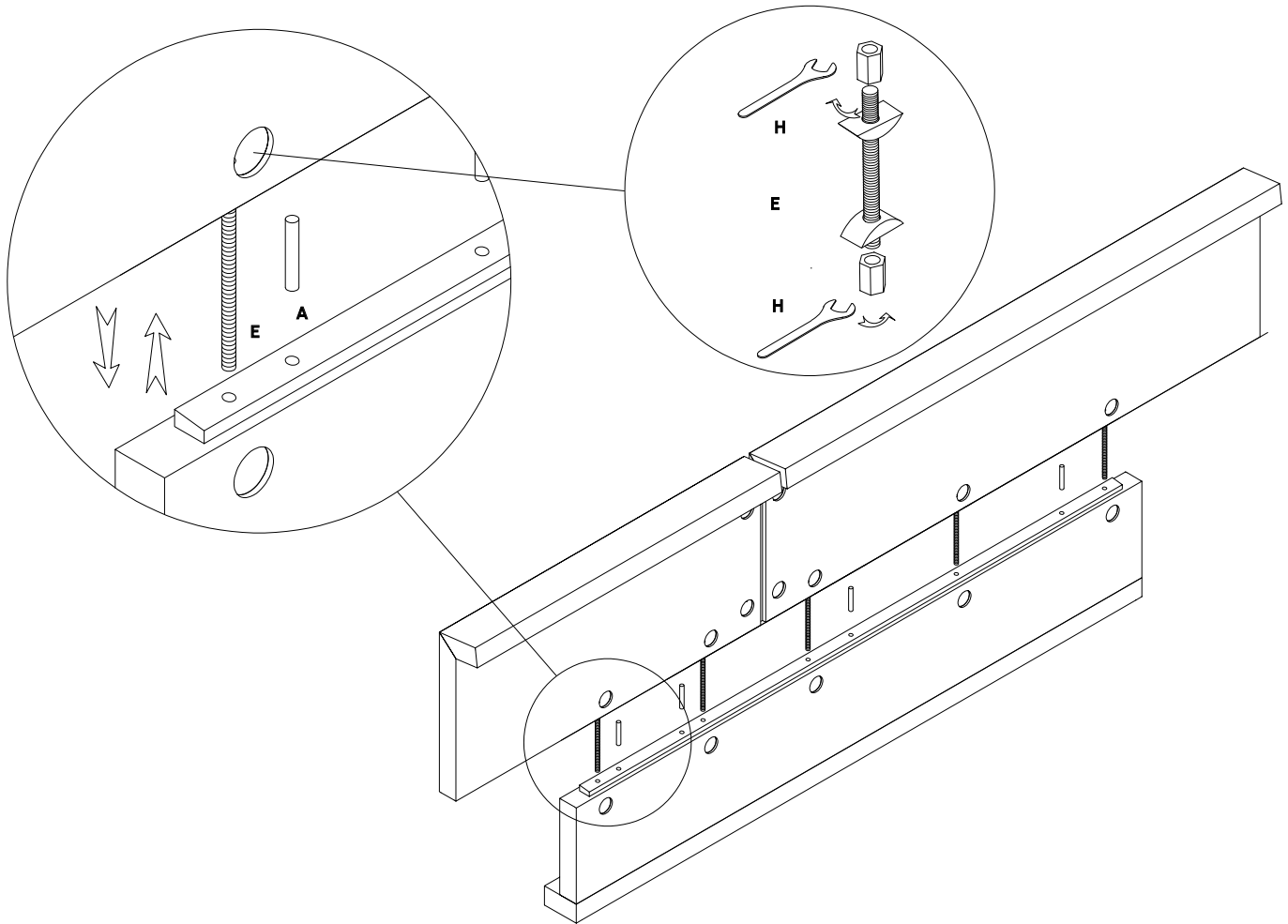
STEP 3



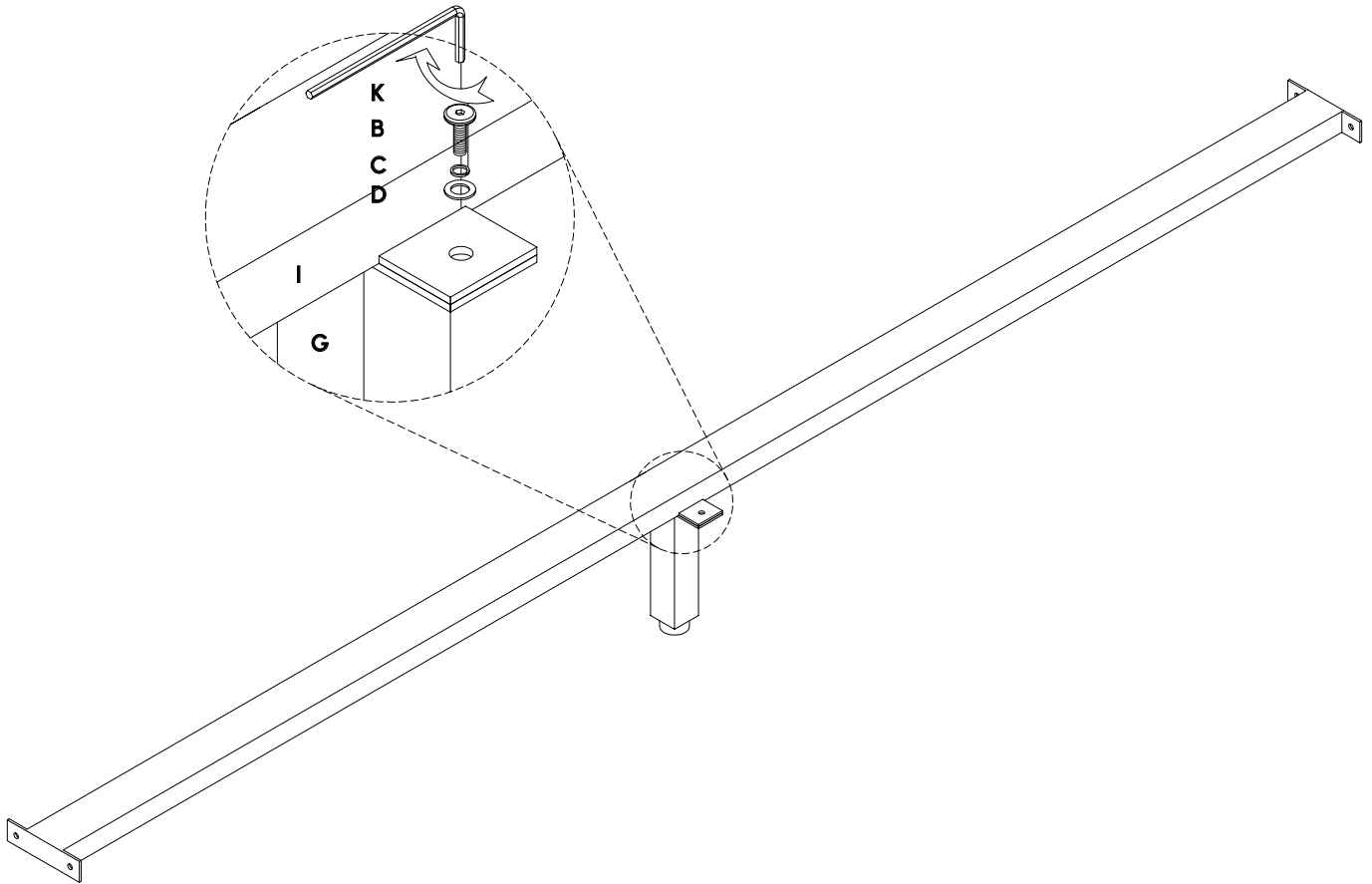
STEP 4



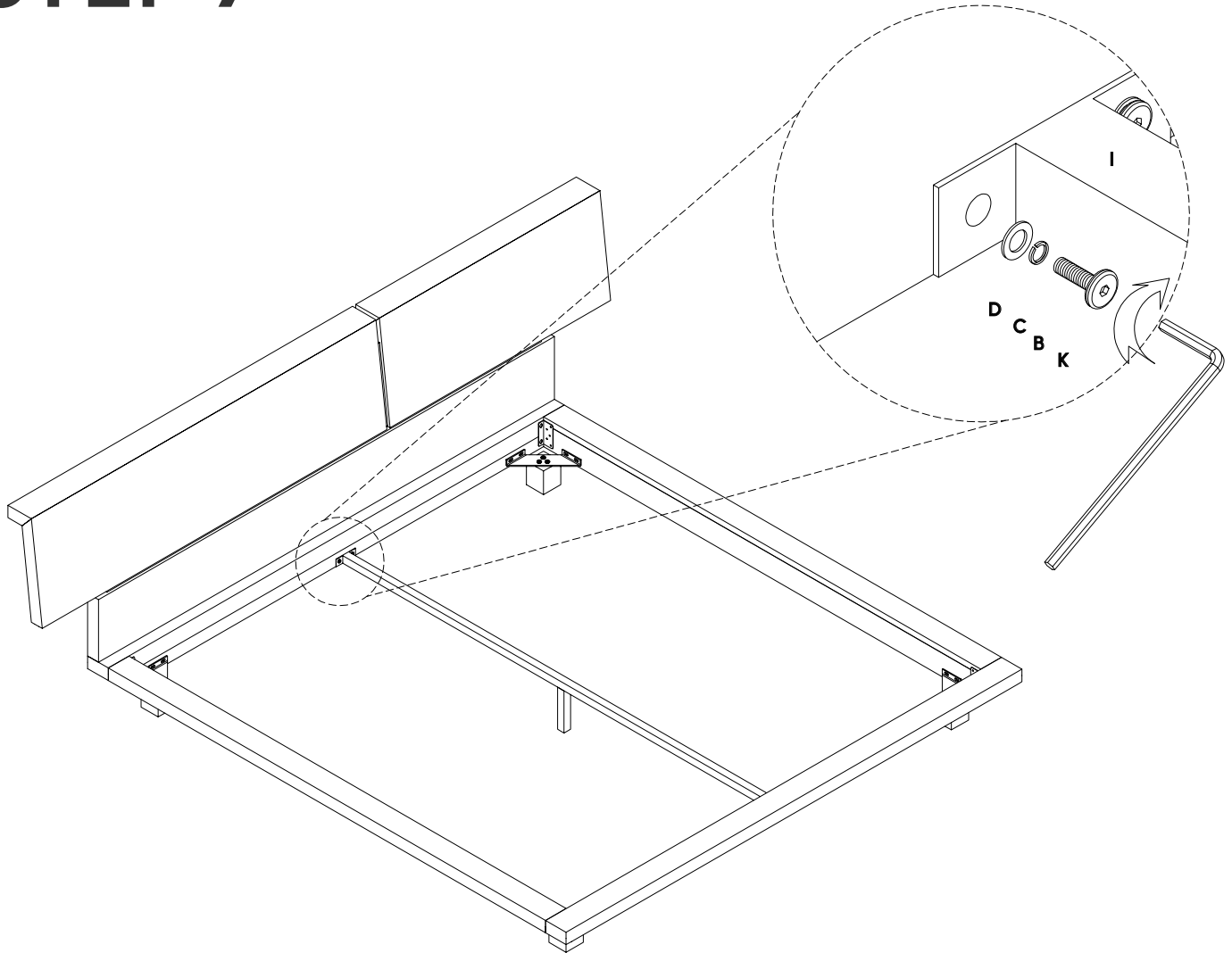
STEP 5



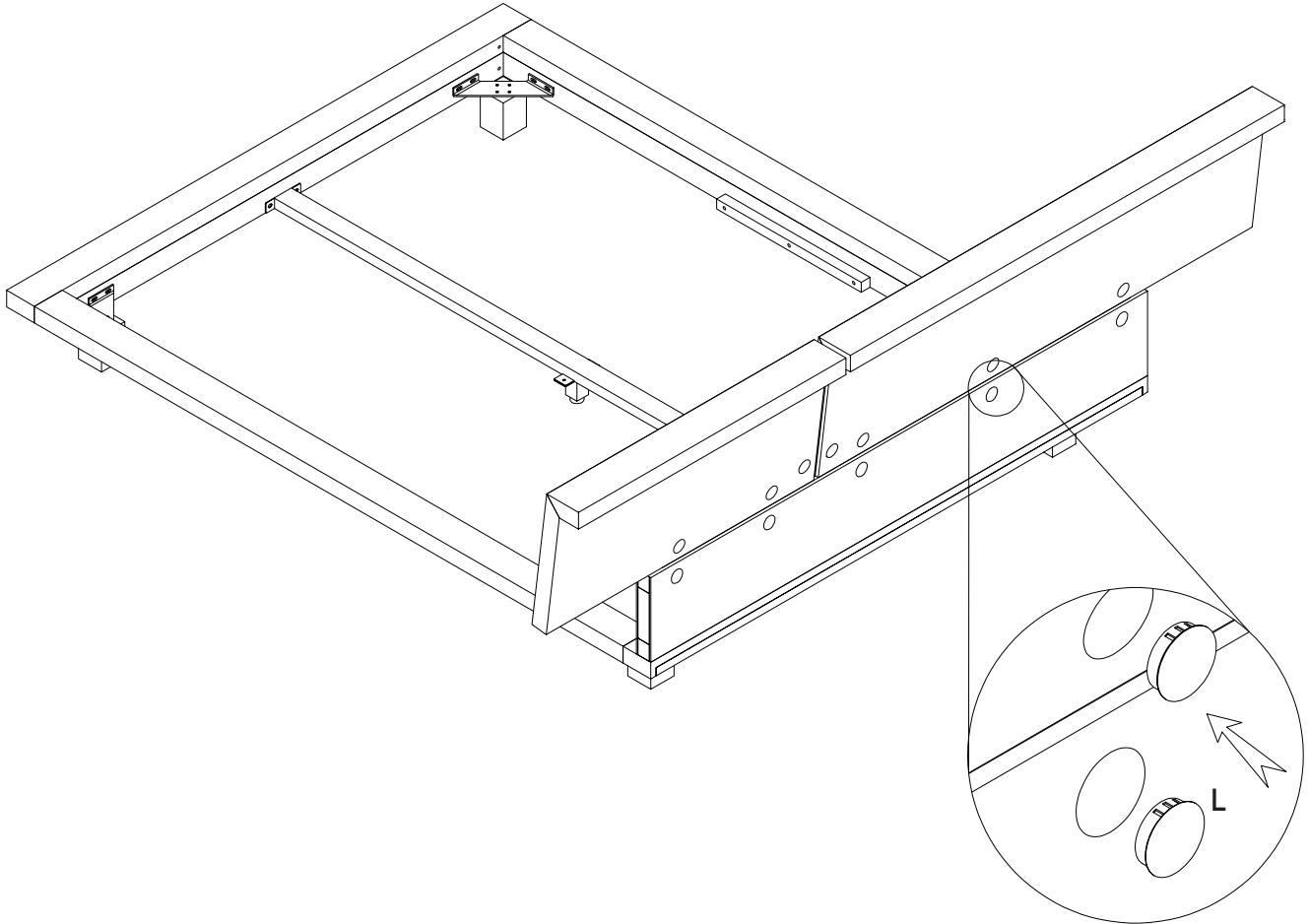
STEP 6



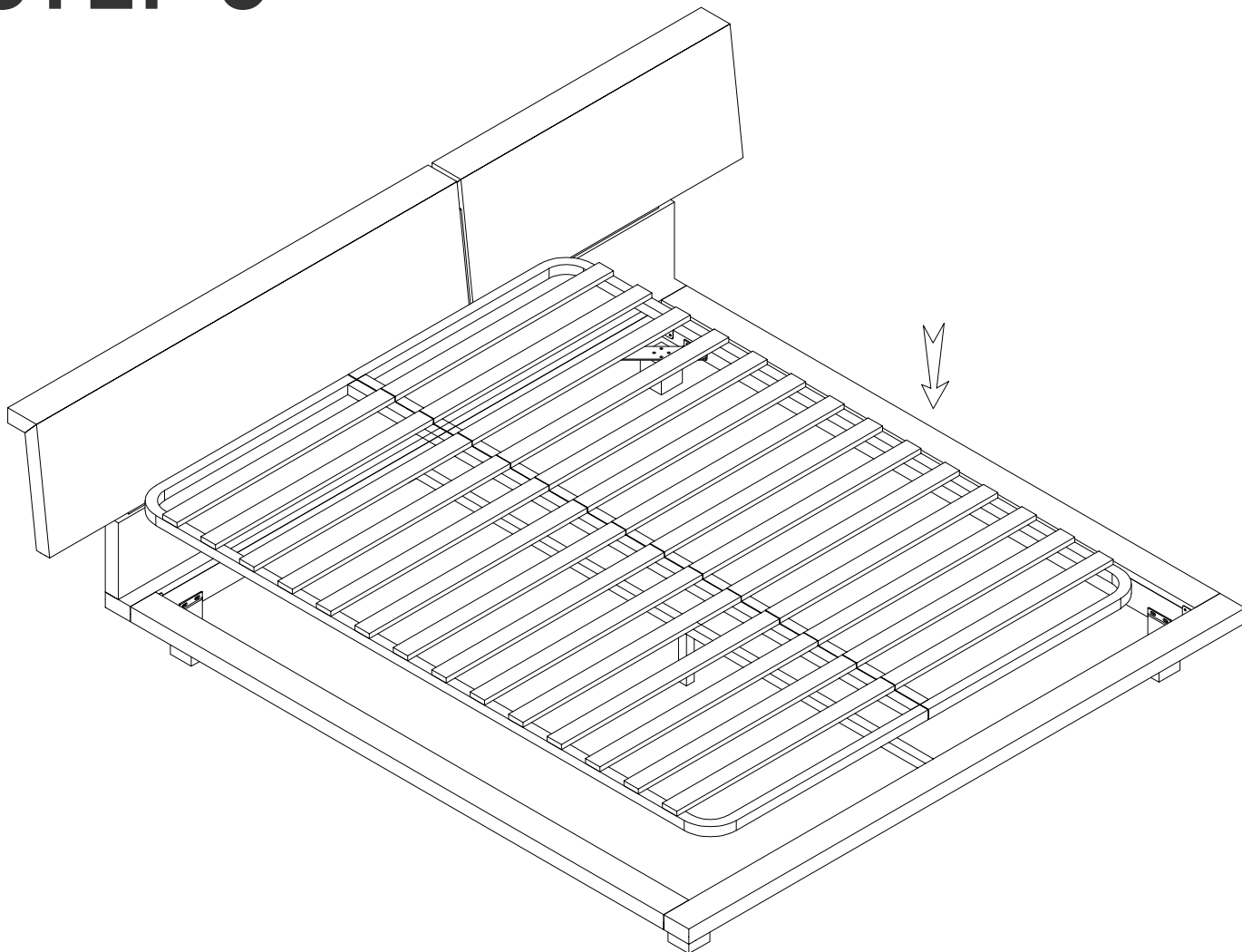
STEP 7



STEP 8



STEP 9



STEP 10

