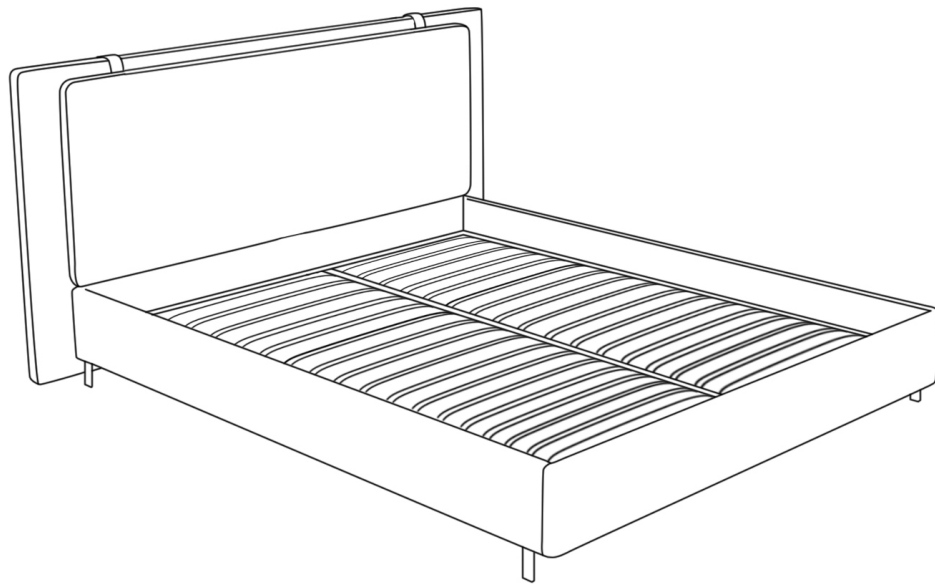


ROVECONCEPTS

Refined Luxury Living



ABIGAIL BED ASSEMBLY INSTRUCTIONS

HARDWARE



A
x8
TYPE A



B
x6
TYPE B



C
x16
TYPE C



D
x4



E
x4



F
x2



G
x1



H
x1
TYPE H

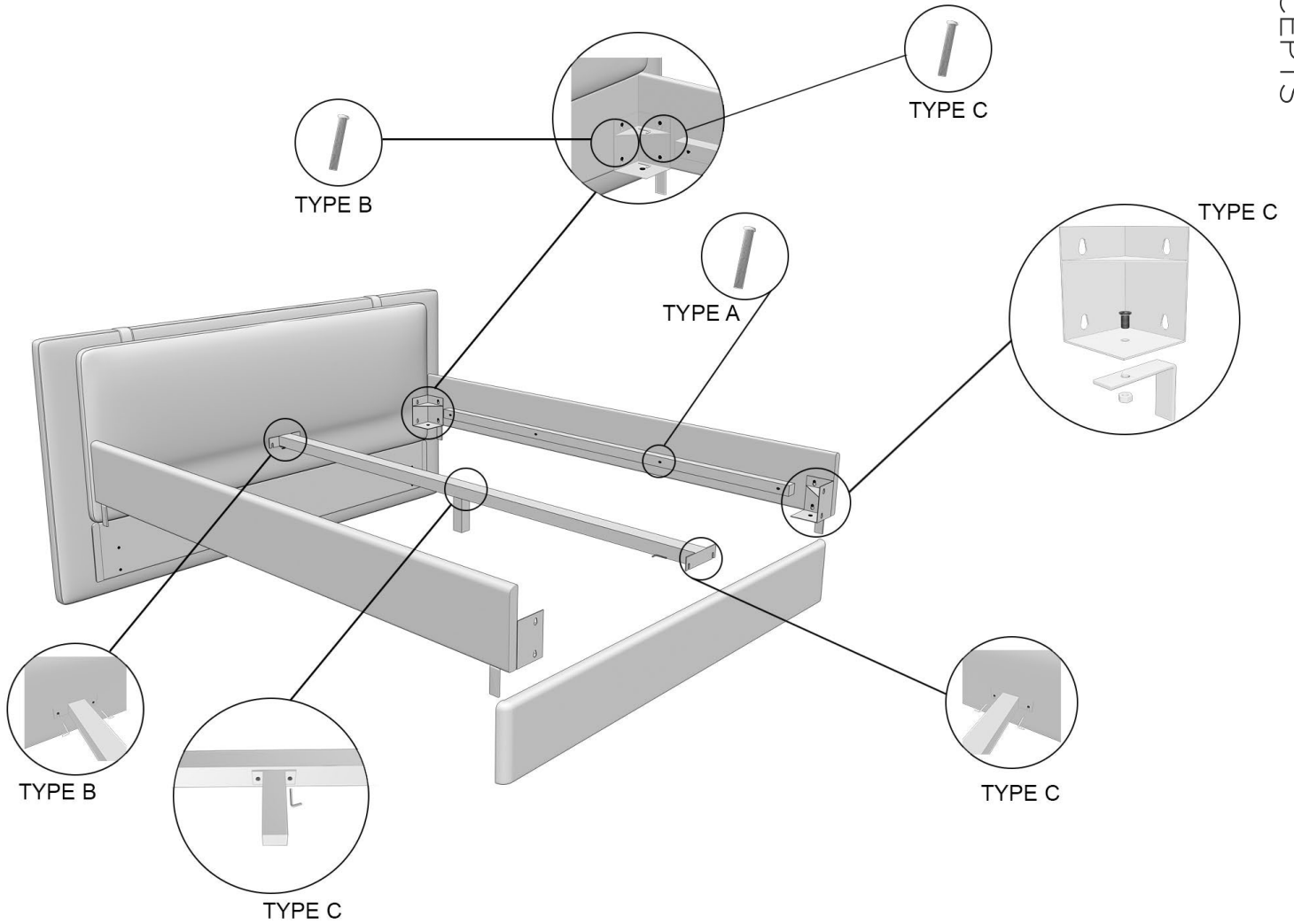


I
x1
TYPE I



J
x1

STEP 1



STEP 2

