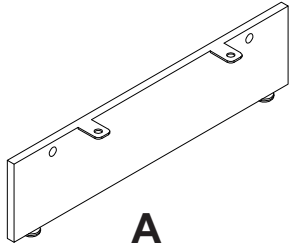


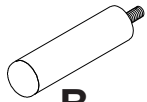
ROVECONCEPTS

AUGUSTUS SIDEBORD ASSEMBLY INSTRUCTIONS

HARDWARE



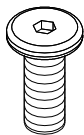
A
x2
35x100x406



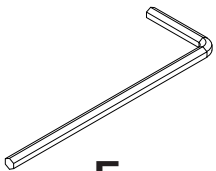
B
x1
Ø20x90



C
x4
M6x15

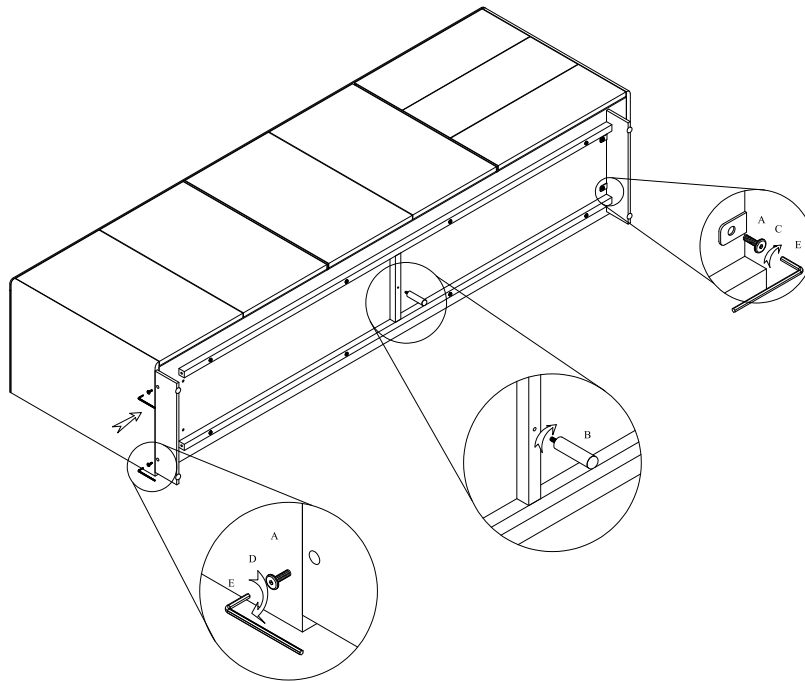


D
x4
M8x25



E
x1
M4x30x100

STEP 1



STEP 2

