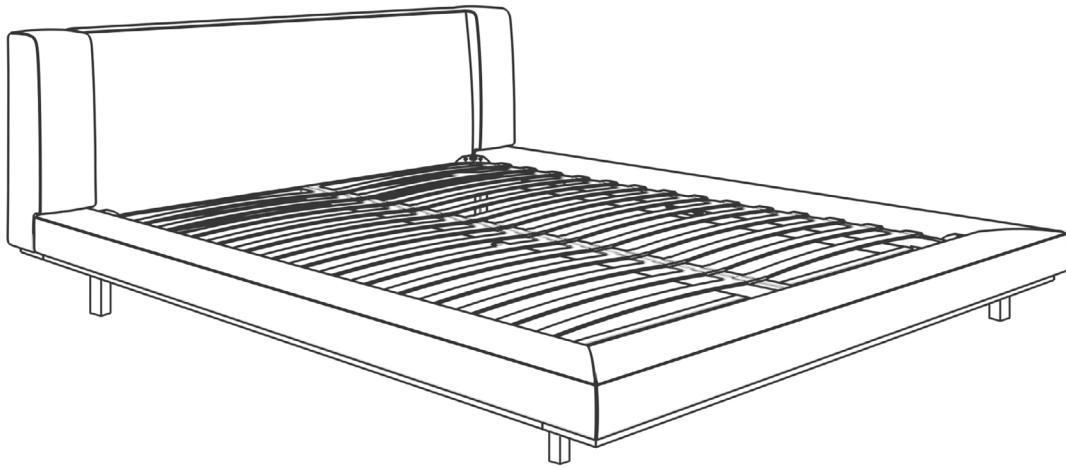


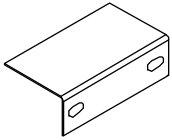
ROVECONCEPTS

Refined Luxury Living



HARPER BED ASSEMBLY INSTRUCTIONS

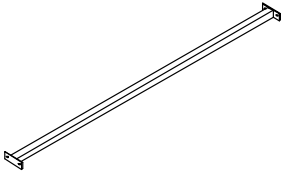
HARDWARE



C
x4



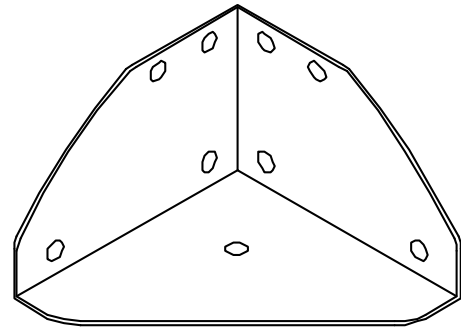
D
x56



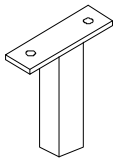
E
x2



F
x2



G
x4



H
x4



J
x8



K
x12



L
x1

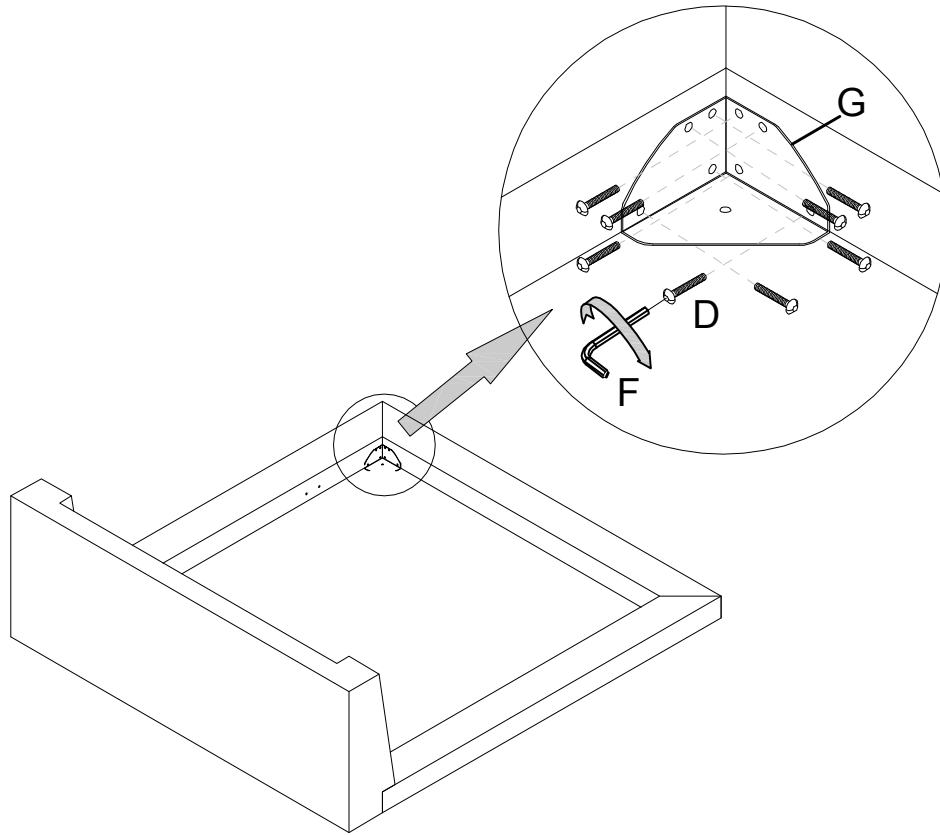


M
x2

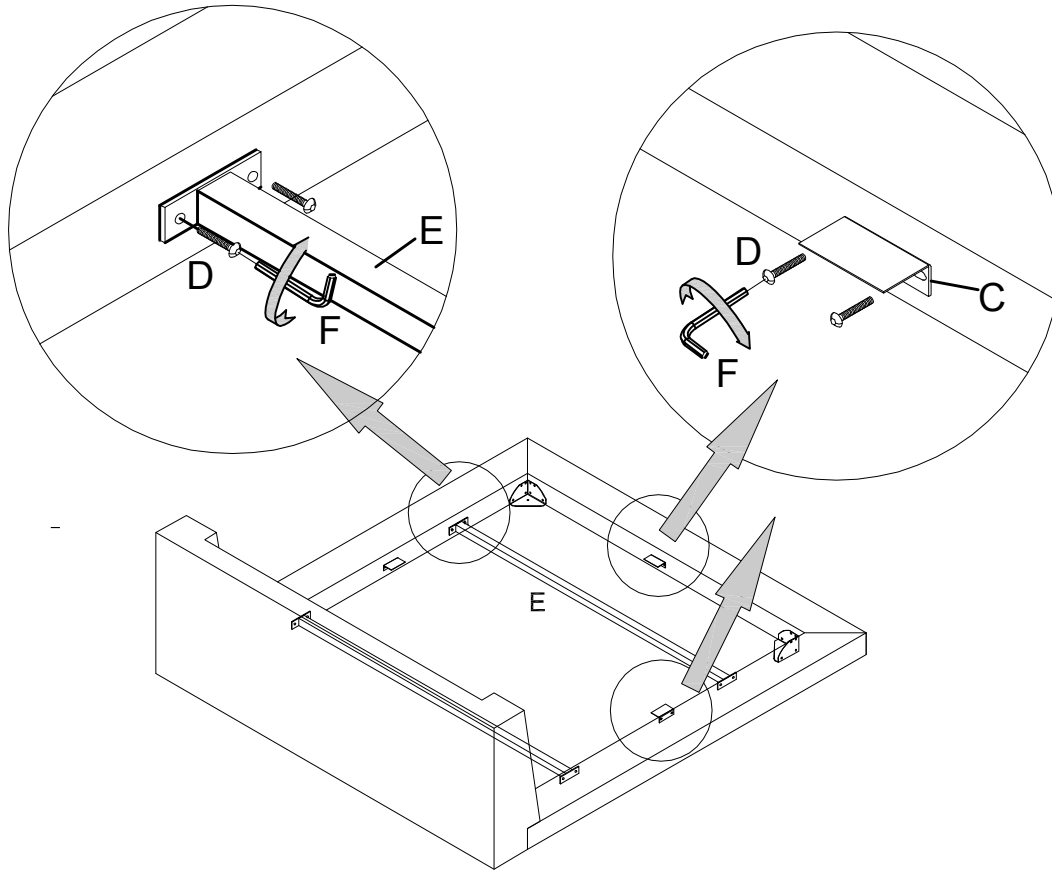


N
x2

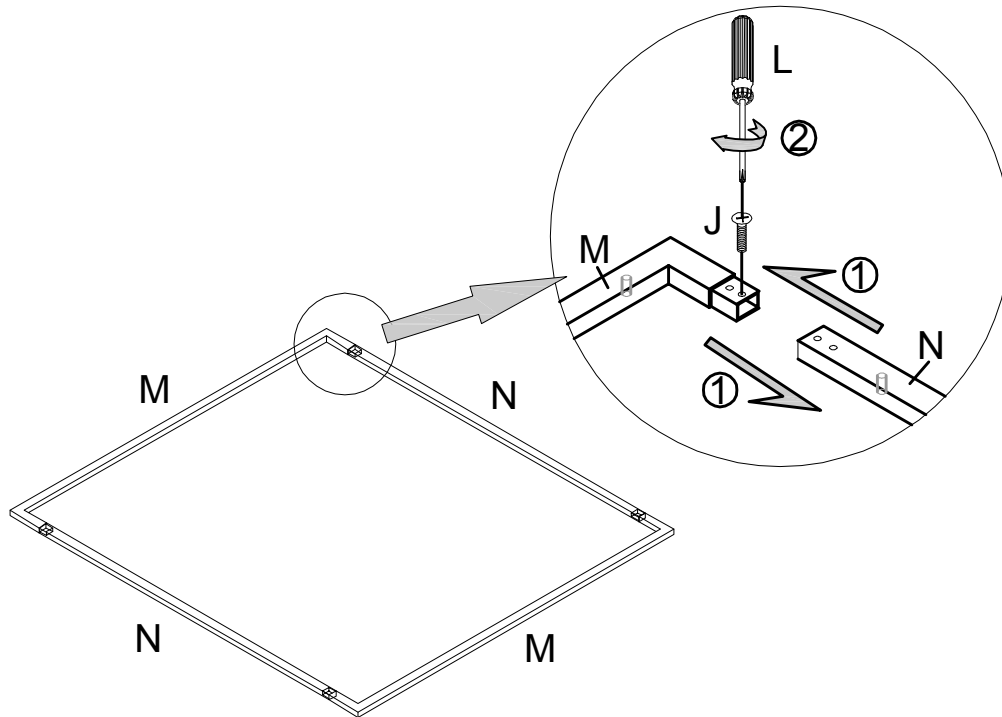
STEP 1



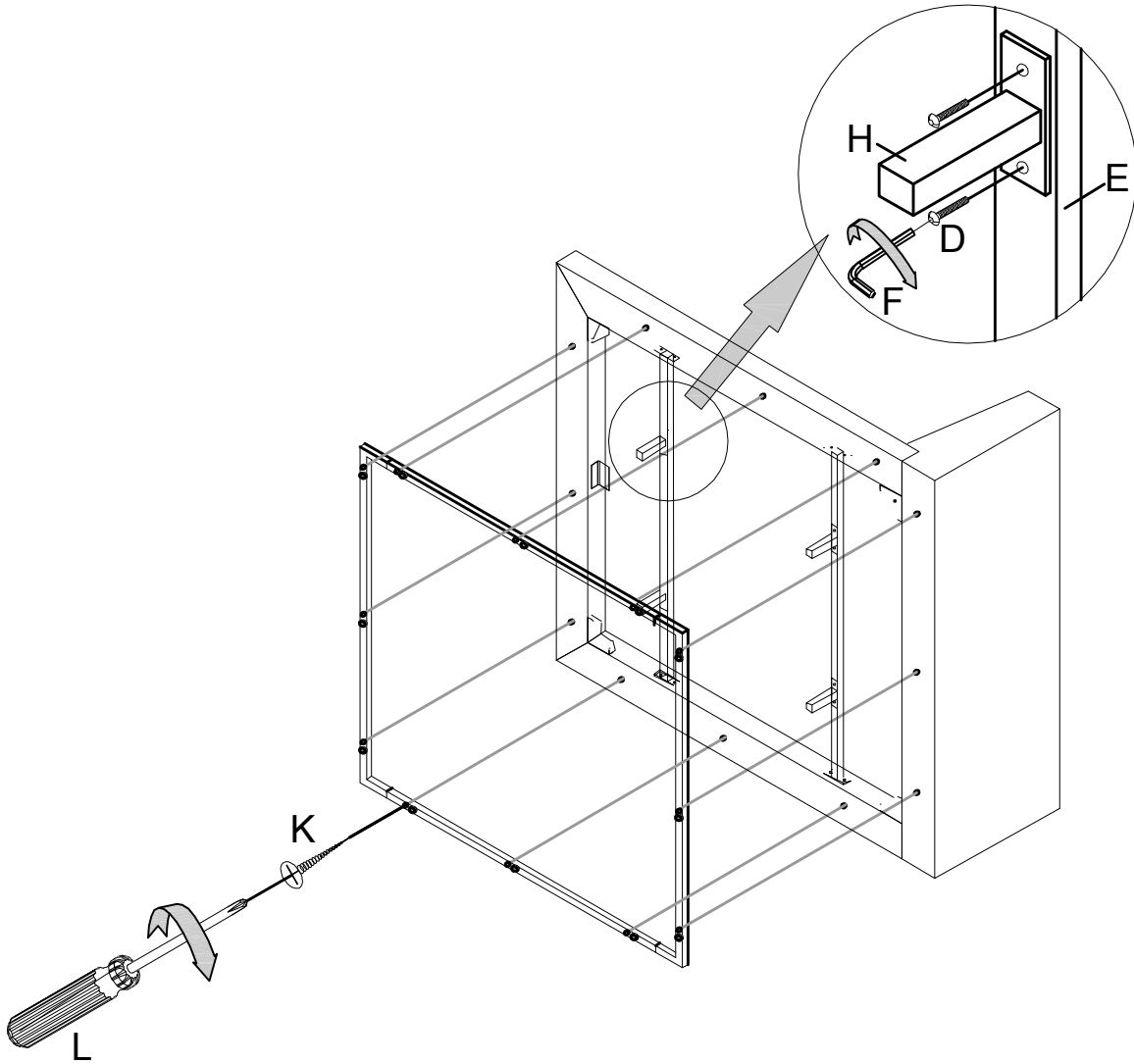
STEP 2



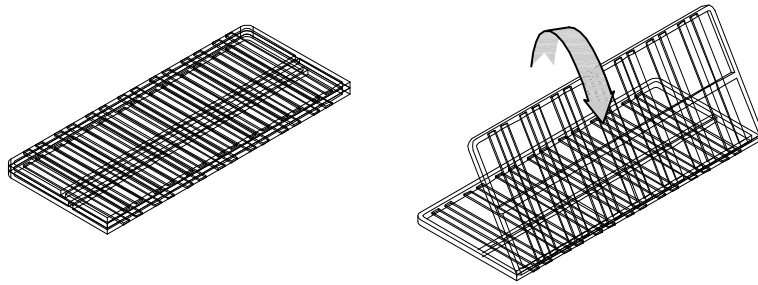
STEP 3



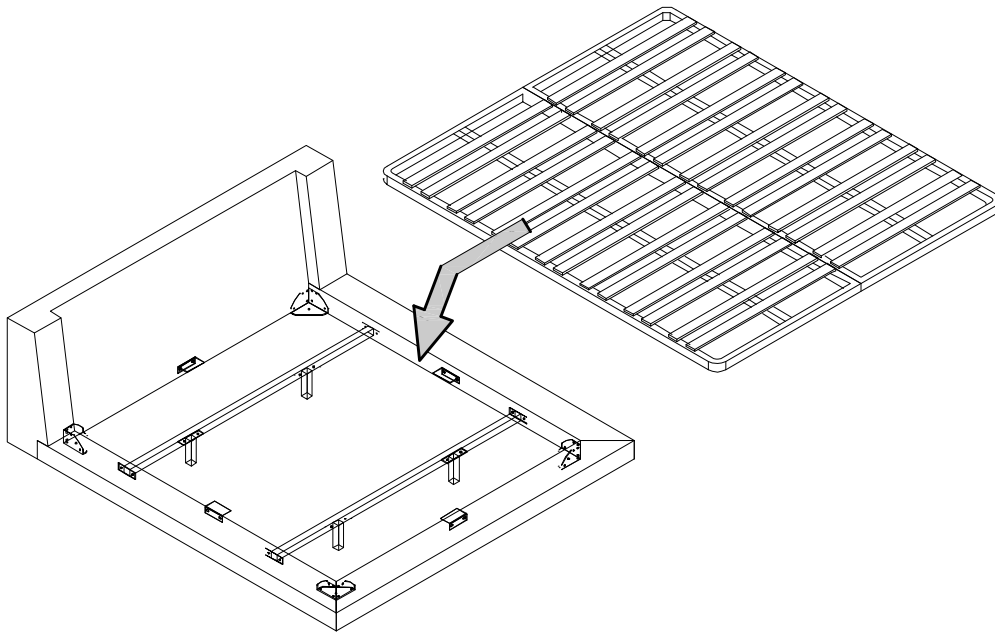
STEP 4



STEP 5



STEP 6



STEP 7

